

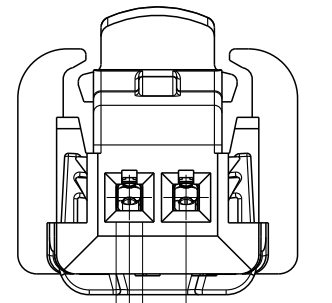
PRODUCT DESCRIPTION CODE :

10142532-0XXVLF

CUSTOMER CODE

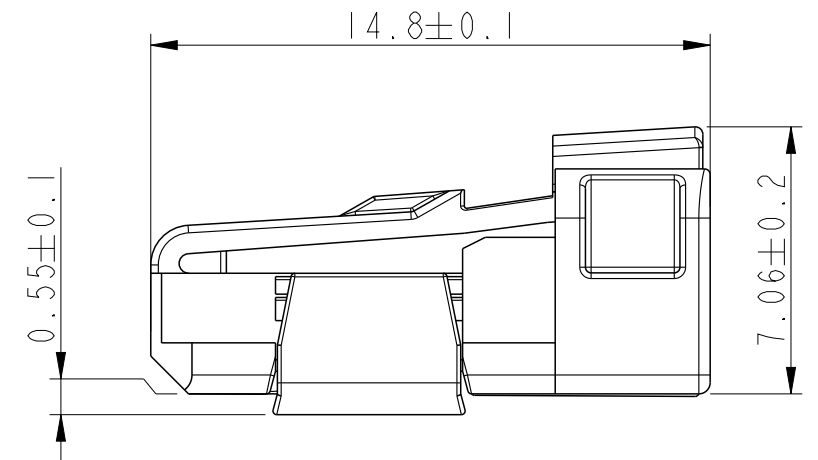
NUMBER OF POSITIONS: 02 TO 03

MATERIAL



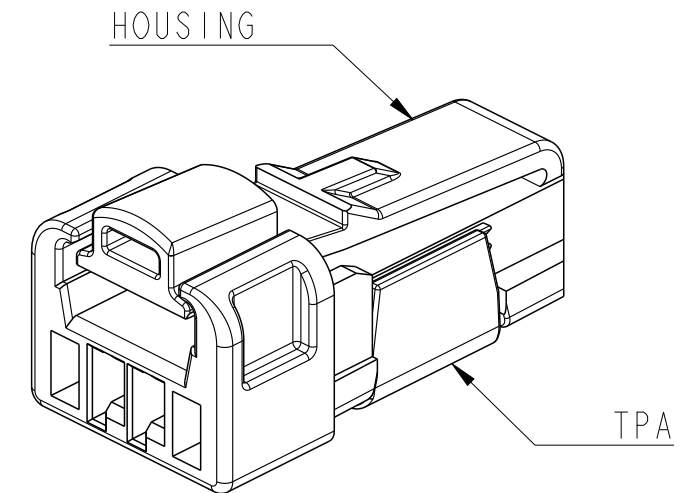
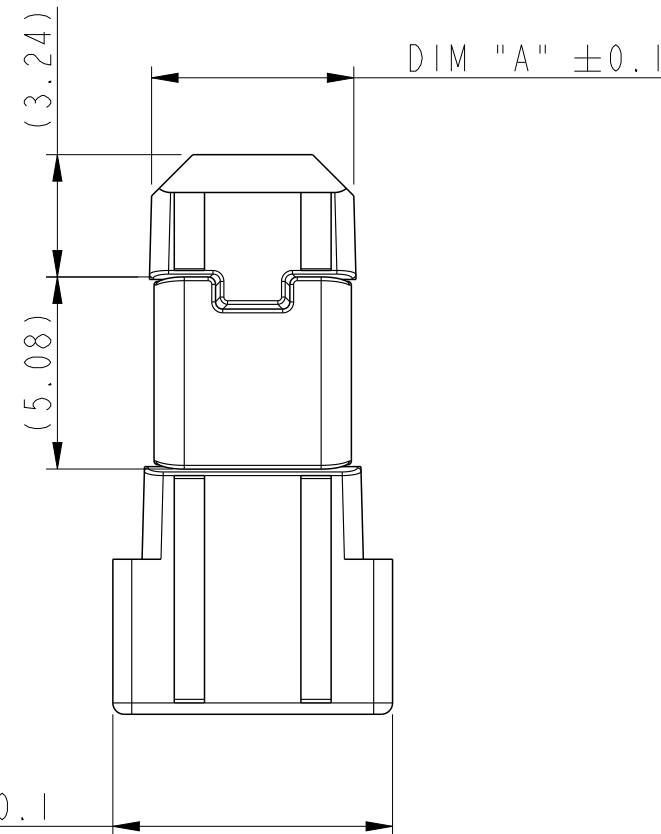
1.5

$SQ0.7 \pm 0.05$



NOTES:

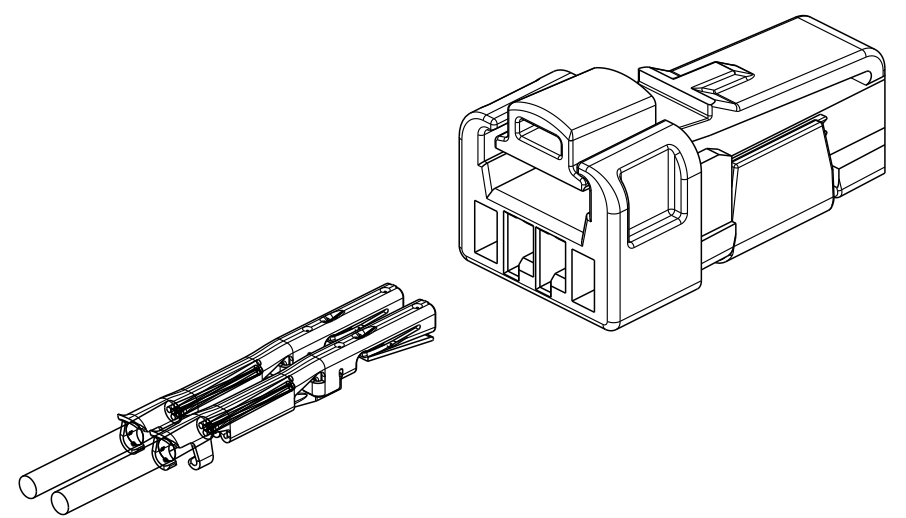
- 1 - MATERIAL:  
HIGH TEMPERATURE THERMOPLASTIC 30% GF  
COLOR BLACK UL94 V-0
- 2 - PACKAGING : BULK
- 3 - FOR USE WITH MINITEK  $\mu$ SPACE CTW TERMINALS :  
AWG 26-30, SERIE 10141272
- 4 - TO BE MATED WITH MINITEK  $\mu$ SPACE HEADERS SERIES  
10142534 / 10143714
- 5 - RoHS COMPLIANT, THE PRODUCT IS NOT INTENDED TO BE  
EXPOSED TO ANY SOLDER PROCESS.
- 6 - PRODUCT MEETS EUROPEAN UNION DIRECTIVES AND OTHERS  
COUNTRY REGULATIONS AS PER GS-022-008



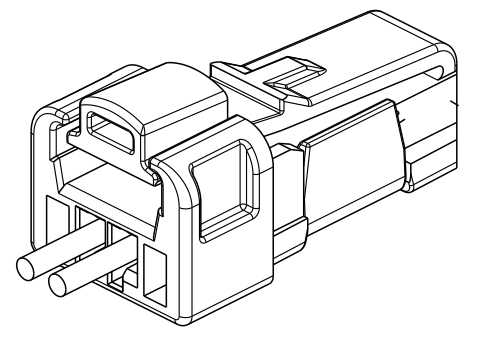
PRE-LOAD CONFIGURATION : DELIVERED STATUS

spec ref	GS-12-1422			dr	A P Sawanth	2017/07/06	projection	mm	size	A3	scale	5:1
tolerance std	TOLERANCES UNLESS OTHERWISE SPECIFIED			eng	A P Sawanth	2017/07/06		← →	ecn no		-	
ISO 406 ISO 1101				chr	D Detouillon	2017/07/06			rel level		Released	
surface	linear	0.X	±0.3	Amphenol FCi	RECEPTACLE ASSEMBLY			dwg no	10142532		rev	
ISO 1302		0.XX	±0.10		MINITEK $\mu$ SPACE STS 1.5 TOP LATCH						A	
	angular	0°	±2°		cat. no.	-			Product - Customer Drw		sheet 1 of 2	

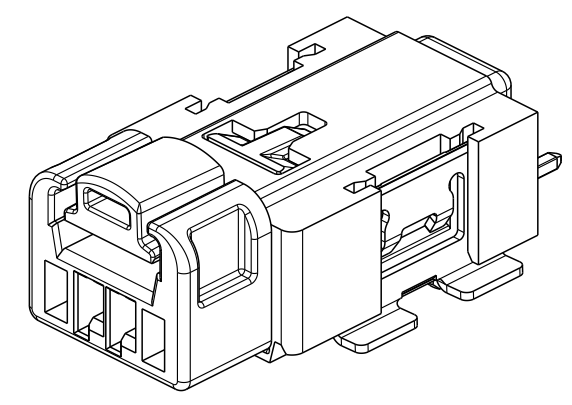
PART NO.	NO. OF POSN	DIM "A"
10142532-002LF	02	5.35
10142532-003LF	03	6.85



PRE-LOAD CONFIGURATION FOR TERMINAL INSERTION



FINAL LOAD CONFIGURATION WITH INSERTED TERMINAL



FULL HEADER AND RECEPTACLE ASSEMBLY CONFIGURATION

Amphenol  
FCi

© 2016 AFCI

spec ref	GS-12-1422			dr	A P Sawanth	2017/07/06	projection	mm	size	A3	scale	5:1
tolerance std	TOLERANCES UNLESS OTHERWISE SPECIFIED			eng	A P Sawanth	2017/07/06			ecn no		-	
ISO 406				chr	D Detouillon	2017/07/06			rel level		Released	
ISO 1101				appr	Aymeric Soudy	2017/07/06	product family		-			
surface	<input checked="" type="checkbox"/> linear <input type="checkbox"/> angular	0.X	±0.3		RECEPTACLE ASSEMBLY			dwg no 10142532	rev		A	
ISO 1302		0.XX	±0.10		MINITEK μSPACE STS 1.5 TOP LATCH							
	0.XXX	±0.005	cat. no.			-			Product - Customer Drw		sheet 2 of 2	

# Mouser Electronics

Authorized Distributor

Click to View Pricing, Inventory, Delivery & Lifecycle Information:

[FCI / Amphenol:](#)

[10142532-002LF](#)