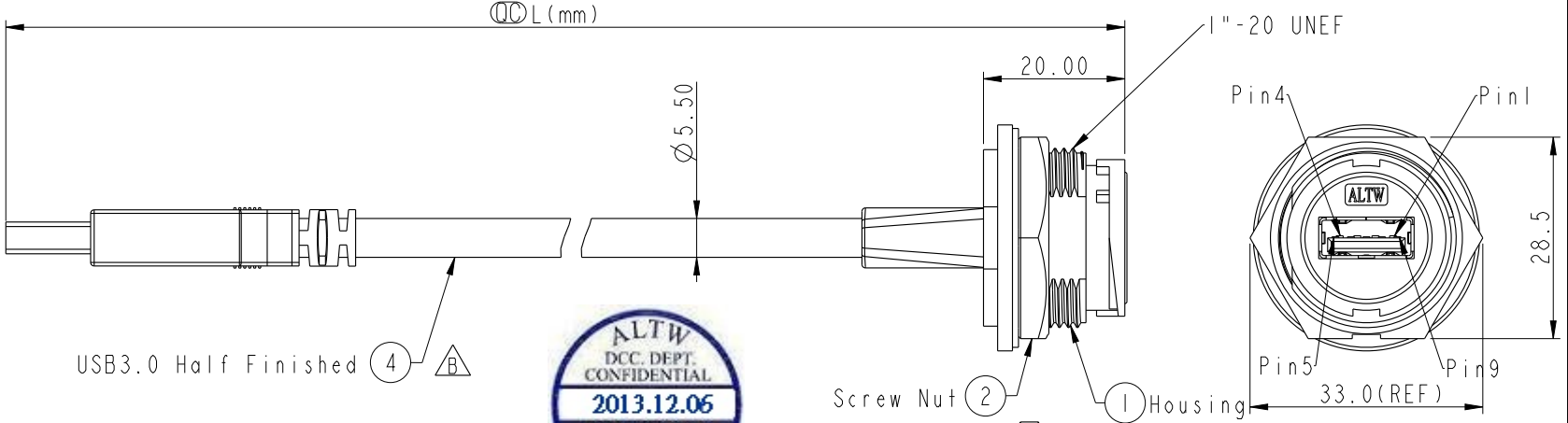


REV.	ECN NO.	DATE	SIGN	DESCRIPTION
B	LE313C004I	2013-11-26	Tom_gu	Change Tolerance And Length

ALTW
CONFIDENTIAL
 2013-11-26
 R&D DEPT.



Conn. 2

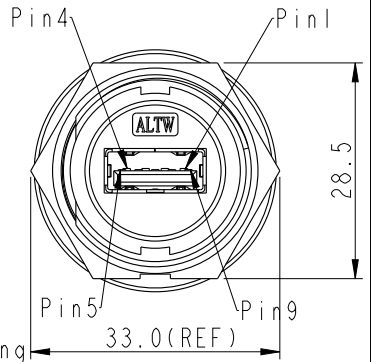


USB3.0 Half Finished ④ △



Screw Nut ②

① Housing

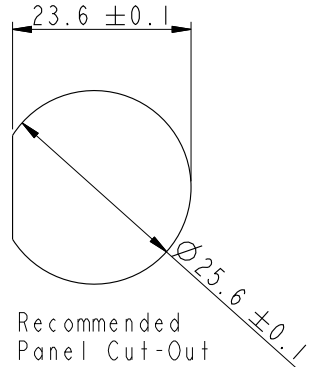


Waterproof Rate: IP67

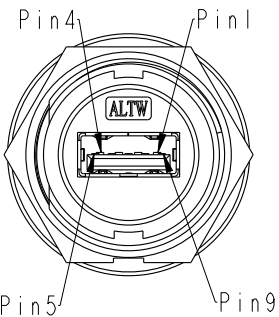
UA-30PMF-LD7B XX

△ XX	150~300mm
15	: 150mm
20	: 200mm
30	: 300mm

Cable Length(L): 150~300mm



Recommended Panel Cut-Out



Pin Assignments Front View

Shield	Braid	編織	Shield	
9	Orange	28AWG	橙	Twist
8	Purple	28AWG	紫	
7	Drain	28AWG	地線	Twist
6	Yellow	28AWG	黃	
5	Blue	28AWG	藍	Twist
	Drain	28AWG	地線	
4	Black	28AWG	黑	Twist
3	Green	28AWG	綠	
2	White	28AWG	白	Twist
1	Red	28AWG	紅	
Conn. 1	Wire Color		Conn. 2	
	Pin Out			

With Liquid Glue

Gasket ③

- * ① Important Dimension.
- * Housing: ABS, Black
- * Screw Nut: Nylon+GF, Black
- * Gasket: Silicone, Gray
- * Jack: USB3.0-A Female Solder
- * Cable: USB 3.0, (IP*28#+D+Al/My)*2+IP*28#+2C*28#+F+Al+B, PVC Jacket, UV Resistant, OD=5.5mm, Black
- * Cable Length Tolerance: 150MM~300MM: ±15mm
- * Use with waterproof cap or dust cap
Panel Thickness max: 2.8mm
- * Use without waterproof cap or dust cap
Panel Thickness max: 4.0mm
- * All of Drain twisted together.

UNIT: mm

TOLERANCE	
.X	±0.25
.XX	±0.1
.XXX	±0.05
ANGLES	±1°

TITLE USB3.0 Female Lock To A Plug			
SCALE	1:1	SIZE	A4
REV.	B	WC-REV.	A.1
①: Inspection item			

Amphenol LTW
 安費諾亮泰企業股份有限公司

ITEM NO	DWG NO	CUSTOMER	DRAWN BY	CHECKED BY	APPROVED BY	DATE
	UA-30PMF-LD7BXX	ALTW	Tom_gu	Mafei	Victor	2013-11-26

THIS DOCUMENT IS SUBJECT TO CHANGE WITHOUT NOTICE. IT IS CONFIDENTIAL AND A PROPERTY OF AMPHENOL LTW. DISCLOSURE TO THIRD PARTY HAS TO BE AUTHORIZED BY AMPHENOL LTW.

Mouser Electronics

Authorized Distributor

Click to View Pricing, Inventory, Delivery & Lifecycle Information:

[Amphenol:](#)

[UA-30PMF-LD7B15](#) [UA-30PMF-LD7B30](#) [UA-30PMFL-LC7B15](#) [UA-30PMFL-LC7B30](#)