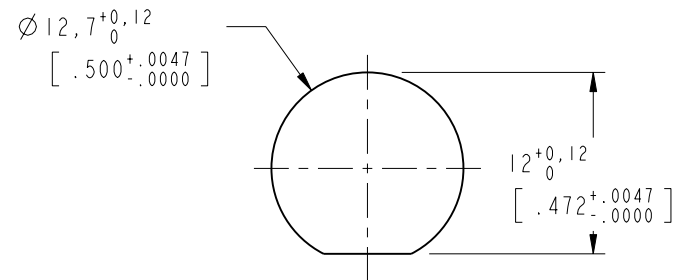


NOTES:

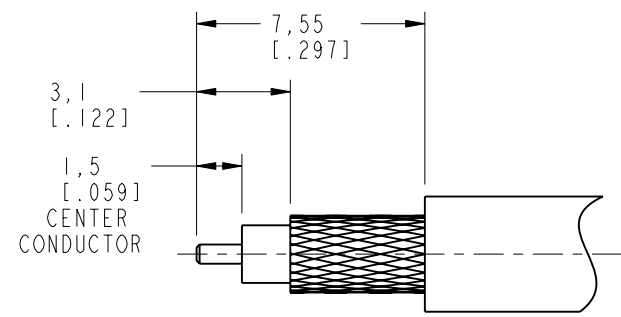
1. MATERIALS AND FINISHES:  
 BODY, HEX NUT, LOCK WASHER,  
 REAR BODY & FERRULE - BRASS, NICKEL PLATING  
 CONTACT - BeCu, GOLD PLATING  
 BULLET CONTACT - BRASS, GOLD PLATING  
 INSULATOR - PTFE, NATURAL
2. ELECTRICAL:  
 A. IMPEDANCE: 50 OHM  
 B. FREQUENCY RANGE: DC - 4 GHz  
 C. VSWR (RETURN LOSS): 1.30 MAX. (-17.7 dB MIN.)  
 D. DIELECTRIC WITHSTAND VOLTAGE: 1500 VRMS, MIN.
3. MECHANICAL:  
 A. DURABILITY: 500 CYCLES MIN.  
 B. TEMPERATURE RANGE: -40°C TO +85°C
4. CONTACT PIN CAN BE SOLDERED OR USE 4-WAY  
 INDENT CRIMP TOOL #47025.
5. CABLE ASSEMBLY INSTRUCTIONS:  
 A. TRIM CABLE AS SHOWN.  
 B. SLIDE FERRULE ONTO CABLE.  
 C. SOLDER BULLET CONTACT TO CABLE CENTER CONDUCTOR.  
 D. INSERT CABLE WITH FOIL ENTERING CONNECTOR  
 AND BRAID OVER KNURL.  
 E. CRIMP FERRULE OVER BRAID WITH .100" HEX DIE.
6. SHOWS CABLE ENTRY DIMENSIONS.
7. PACKAGING:  
 1. QUANTITY: SINGLE PACK  
 2. MARK BAG OR TAG "AMPHENOL RF, 31-6843, DATE CODE"

THIRD ANGLE PROJ.

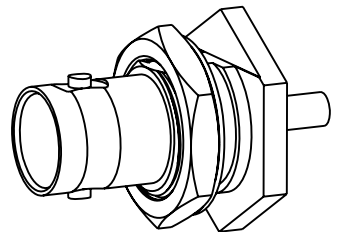
REVISIONS				
REV	DESCRIPTION	DATE	ECN	APPR
A	RELEASE TO MFG.	18-Jan-19	10242	EH
B	MODIFY THE CABLE STRIPPING DIMENSIONS	18-Mar-19	10902	EH



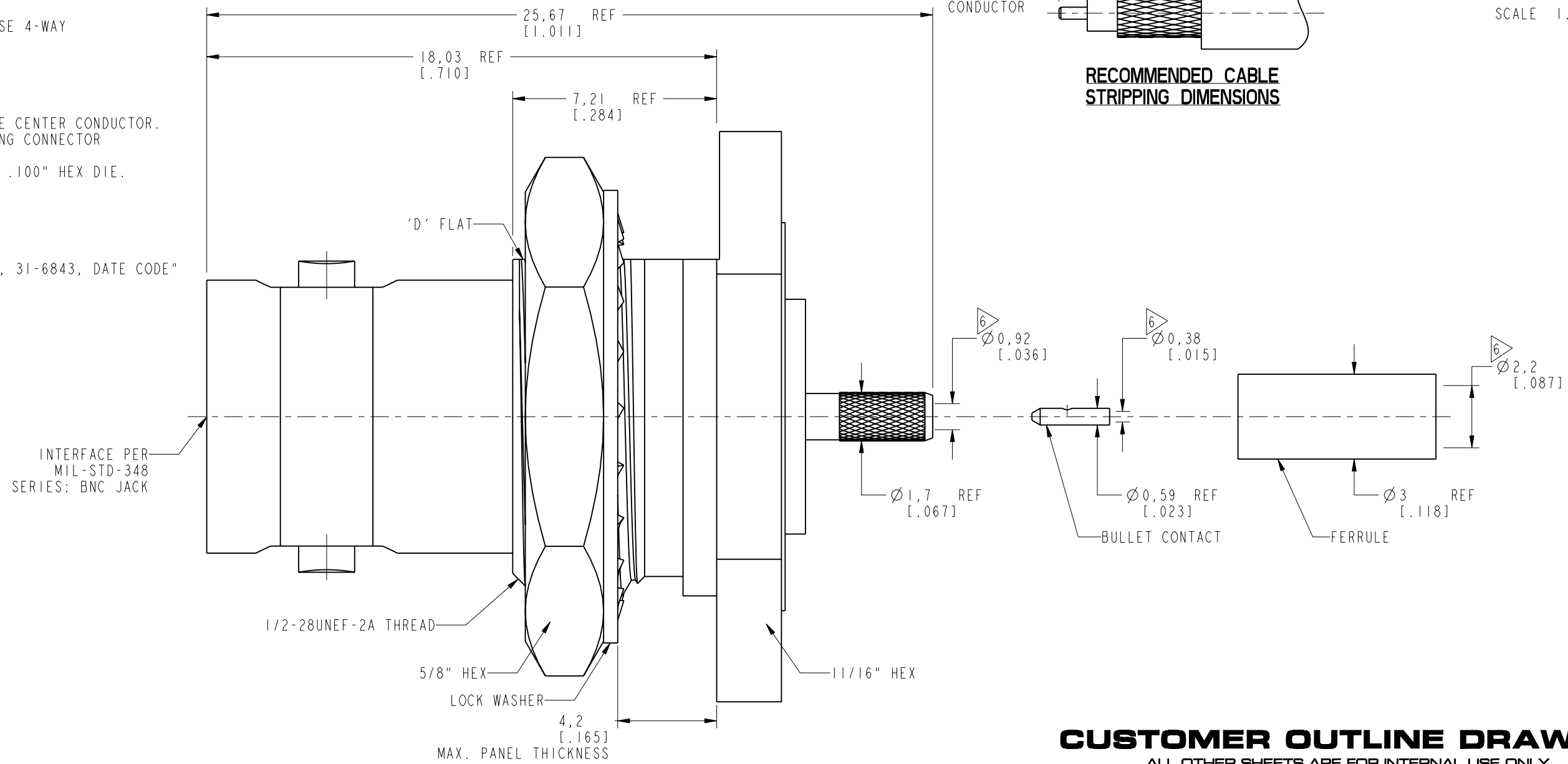
**RECOMMENDED MOUNTING HOLE DIMENSIONS**



**RECOMMENDED CABLE STRIPPING DIMENSIONS**



SCALE 1.500



**CUSTOMER OUTLINE DRAWING**  
 ALL OTHER SHEETS ARE FOR INTERNAL USE ONLY

UNLESS OTHERWISE SPECIFIED, DIMENSIONS ARE IN METRIC AND TOLERANCES ARE: <0.5mm ±0.05mm    0.5 - 6mm ±0.1mm    6 - 30mm ±0.2mm    30 - 120mm ±0.3mm    ANGLES ±1°	MATERIAL	DRAWN	DATE	TITLE	<b>Amphenol RF</b> www.amphenolrf.com	
	SEE NOTES	W. ZENG	20-Mar-19	BNC STR BHD JACK FOR RG 178B/U, 196A/U CABLE		
NOTICE - These drawings, specifications, or other data (1) are, and remain the property of Amphenol corp. (2) must be returned upon request; and (3) are confidential and not to be disclosed to any person other than those to whom they are given by Amphenol Corp. the furnishing of these drawings, specifications, or other data by Amphenol Corp., or to any other person to anyone for any purpose is not to be regarded by implication or otherwise in any manner licensing, granting rights to permitting such holder or any other person to manufacture, use or sell any product, process or design, patented or otherwise, that may in any way be related to or disclosed by said drawings, specifications, or other data.	REFERENCE	ENGINEER	DATE	SCALE: 6.0:1.0 SHEET 2 OF 2	DRAWING NO. 31-6843	
	EAR# 8412	S. DUAN	24-Jan-19	DWG SIZE B	REV B	ITEM NO. 31-6843
	REF:	S. HSIEH	20-Mar-19	CAD FILE		PART NO. 31-6843
CONFIGURATION LEVEL: In Work						
FINISH						

# Mouser Electronics

Authorized Distributor

Click to View Pricing, Inventory, Delivery & Lifecycle Information:

[Amphenol:](#)

[031-6843](#)