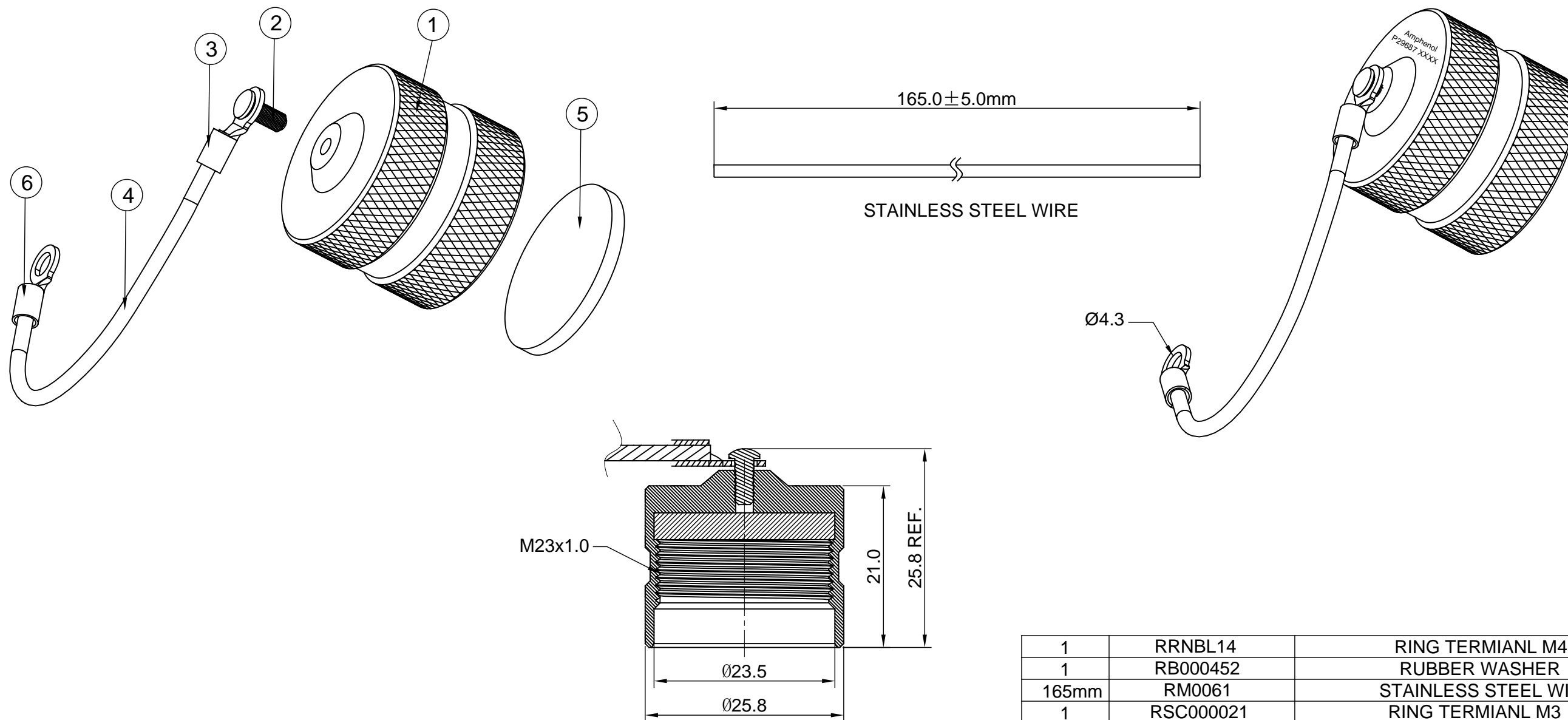


| REVISIONS |     |                 |             |       |       |
|-----------|-----|-----------------|-------------|-------|-------|
| REV       | ECO | DESCRIPTION     | DATE        | BY    | APPR  |
| A1        | --  | FIRST RELEASED  | Sep-17-2018 | White | Tommy |
| A2        | --  | UPDATED DRAWING | Jan-09-2019 | White | Tommy |



NOTES : (UNLESS OTHERWISE SPECIFIED)

- MATERIAL :  
NUT : ZINC DIE CAST, NICKEL PLATED.  
RIVET : STAINLESS STEEL.  
WIRE : STAINLESS STEEL.  
SEAL: EPDM.
- SPECIFICATIONS :  
2.1 MATING CYCLES DURABILITY : 500 CYCLES MIN.  
2.2 IP--CLASS : IP67 (IN MATED CONDITION)  
2.3 RoHS COMPLIANT.
- ALL DIMENSIONS ARE FOR REFERENCE USE ONLY.

| QUANTITY | PART NUMBER | DESCRIPTION          | ITEM |
|----------|-------------|----------------------|------|
| 1        | RRNBL14     | RING TERMIANL M4     | 6    |
| 1        | RB000452    | RUBBER WASHER        | 5    |
| 165mm    | RM0061      | STAINLESS STEEL WIRE | 4    |
| 1        | RSC000021   | RING TERMIANL M3     | 3    |
| 1        | RM0084      | RIVET,F2.5*6.35      | 2    |
| 1        | M0273       | METAL COUPLING NUT   | 1    |

#### MATERIALS LIST

|   |  |  |  |  |                            |   |                       |
|---|--|--|--|--|----------------------------|---|-----------------------|
| UNLESS OTHERWISE SPECIFIED<br>1) All dimensions are in metric(mm).<br>2) Tolerances are as follows:<br>1 PL DEC ±0.30<br>2 PL DEC ±0.15<br>3 PL DEC ±0.08<br>Fractions ±1/64<br>Angles ±1°<br>3) Note reference = |  | SIGNATURES<br>DRAWN: White<br>CHECKED: Tod<br>ENGINEER:<br>APPROVAL: Tommy |  | DATE<br>Jan-09-2019<br>Jan-09-2019<br>Jan-09-2019  |                            | <h1>Amphenol</h1> <p>Sine Systems - www.amphenol-sine.com<br/>44724 Morley Drive<br/>Clinton Township, MI 48036</p> |                       |
| MATERIAL SPECIFICATIONS:  |  | CUSTOMER:  |  | THIS DRAWING IS SUPPLIED FOR INFORMATION ONLY. DESIGN FEATURES, SPECIFICATIONS AND PERFORMANCE DATA SHOWN HEREON ARE THE PROPERTY OF THE AMPHENOL CORPORATION. NO RIGHTS OF REPRODUCTION ARE IMPLIED. ALL DIMENSIONS ARE SUBJECT TO NORMAL MANUFACTURING VARIATIONS. |                            |   |                       |
| PROCESS SPECIFICATIONS:   |  | NEXT ASSY:   |  | SIZE<br><b>B</b>   | TYPE<br><b>C-</b>          | DWG NO.<br><b>P29687</b>  | REVISION<br><b>A2</b> |
|   |  |  |  | SCALE:<br><b>NONE</b>  | SHEET <b>1</b> OF <b>1</b> |   |                       |

TITLE: DUST CAP FOR M23 A & B RECEPTACLE

DWG NO:

P29687

REV: A2

SH: 1

OF: 1

# Mouser Electronics

Authorized Distributor

Click to View Pricing, Inventory, Delivery & Lifecycle Information:

[Amphenol:](#)

[P29687](#)