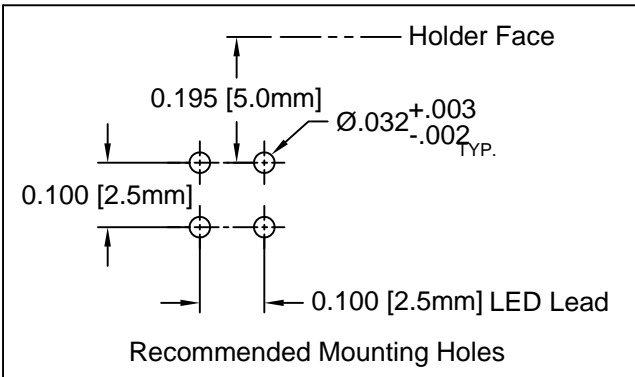
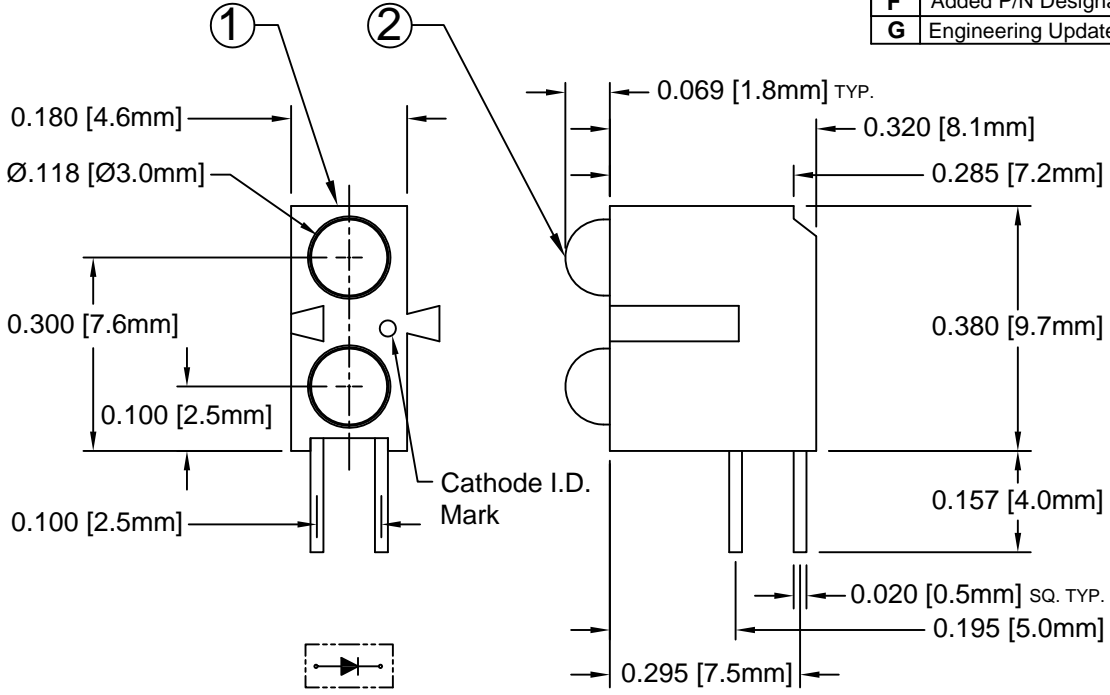


ITEM	Q'TY	PART NUMBER	PART DESCRIPTION
1	1	H-200C	T-1 (3mm) Bi-Level LED Holder, 90° Mount, Interlocking
2	2	3XX-S	T-1 (3mm) N-Flange Shouldered LED, See Page 2

REV.	DESCRIPTION	DATE	APPROVED
B	Added H200CRDL & H200CSRDL	03/25/05	M. C.
C	Added H200BWC	02/14/07	M. C.
D	Corrected Recommended Hole Pattern	03/28/07	M. C.
E	LED Package Change to 3XX-S LEDs	12/14/07	M. C.
F	Added P/N Designation	04/02/12	T. Y.
G	Engineering Update w/o Changes	06/21/16	J. C.



NOTE: P/N DESIGNATION

H200CXXDX

- H-400 Holder Series
- Color of top LED - Use "X" if blank
- Color of Bottom LED - Use "X" if blank
- " " Standard LED
- "L" Low Current LED
- "5V" 5V LED
- Lens Appearance

-If LEDs are the same, use e.g. H200CGD

All Green Diffused LEDs

ABSOLUTE MAXIMUM RATINGS (Ta=25° C)

REVERSE VOLTAGE _____ 5V

REVERSE CURRENT _____ 100uA

OPERATING TEMPERATURE RANGE _____ -25° C - 85° C


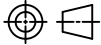
STORAGE TEMPERATURE _____ -30° C - 100° C

LEAD SOLDERING TEMPERATURE(1/16" FROM BODY) _____ 260° C FOR 5 SECONDS

STANDARD TOLERANCE (UNLESS OTHERWISE SPECIFIED)		 4 THOMAS, IRVINE, CA. 92618 TEL: (949) 951-8808 FAX: (949) 951-3974	
DECIMALS	ANGULAR		
.X ± .1	X° ± 1°	 TITLE: T-1 (3MM) INTERLOCKING 90° BI-LEVEL LED ASSY	
.XX ± .02			
.XXX ± .010			
DESIGNED: T. Yin	DATE: 03/05/04	PART NO: H200CXX	REVISION: G
CHECKED: D. Green	DATE: 03/05/04	CAGE CODE : 32559	SHEET # 1 OF 2
CAD GENERATED DOCUMENT. DO NOT MEASURE DRAWING.			

REV.	DESCRIPTION	DATE	APPROVED
	SEE SHEET #1		

LED Assy. No.	Peak Wave Length λ_p (nm)	Emitted Color	Lens Appearance	Electro-Optical Data				Viewing Angle $2\theta \frac{1}{2}$ (Deg)	LED P/N
				If (mA)	Vf (V)		Iv (mcd)		
				TYP	TYP	MAX	TYP		
STANDARD				Data @ 20mA					
H200CBWD	430	BLUE	DIFFUSED	20	4.0	4.5	20	45	3BWD-S
H200CBWC	430	BLUE	WATER CLEAR	20	4.0	4.5	50	30	3BWC-S
H200CGD	565	GREEN	DIFFUSED	20	2.2	2.6	30	45	3GD-S
H200CYD	585	YELLOW	DIFFUSED	20	2.1	2.6	20	45	3YD-S
H200CHD	635	HE RED	DIFFUSED	20	2.0	2.6	30	45	3HD-S
H200CRD	655	RED	DIFFUSED	20	1.7	2.0	6	45	3RD-S
H200CSR	660	SUPER RED	DIFFUSED	20	1.7	2.6	90	45	3SRD-S
LOW CURRENT				Data @ 2mA					
H200CGDL	565	GREEN	DIFFUSED	2	1.9	2.2	6	45	3GDL-S
H200CYDL	585	YELLOW	DIFFUSED	2	1.9	2.2	4	45	3YDL-S
H200CHDL	635	HE RED	DIFFUSED	2	1.8	2.2	6	45	3HDL-S
H200CRDL	655	RED	DIFFUSED	2	1.9	2.2	1	45	3RDL-S
H200CSRDL	660	SUPER RED	DIFFUSED	2	1.6	2.0	14	45	3SRDL-S
5 VOLT				Data @ 5V					
H200CGD5V	565	GREEN	DIFFUSED	10	-	5.0	30	45	3GD5V-S
H200CYD5V	585	YELLOW	DIFFUSED	10	-	5.0	20	45	3YD5V-S
H200CHD5V	635	HE RED	DIFFUSED	10	-	5.0	30	45	3HD5V-S

STANDARD TOLERANCE (UNLESS OTHERWISE SPECIFIED) $\pm 10\%$ ALL VALUES ANGULAR		 BIVAR [®] 4 THOMAS, IRVINE, CA. 92618 TEL: (949) 951-8808 FAX: (949) 951-3974	
			
DESIGNED: T. Yin	DATE: 03/05/04	TITLE: T-1 (3MM) INTERLOCKING 90° BI-LEVEL LED ASSY	
CHECKED: D. Green	DATE: 03/05/04	PART NO: H200CXX	REVISION: G
		CAGE CODE : 32559	SHEET # 2 OF 2
CAD GENERATED DOCUMENT. DO NOT MEASURE DRAWING.			

Mouser Electronics

Authorized Distributor

Click to View Pricing, Inventory, Delivery & Lifecycle Information:

[BIVAR:](#)

[H200CGD](#) [H200CGDL](#) [H200CHDL](#) [H200CRDL](#) [H200CYD](#) [H200CYDL](#)