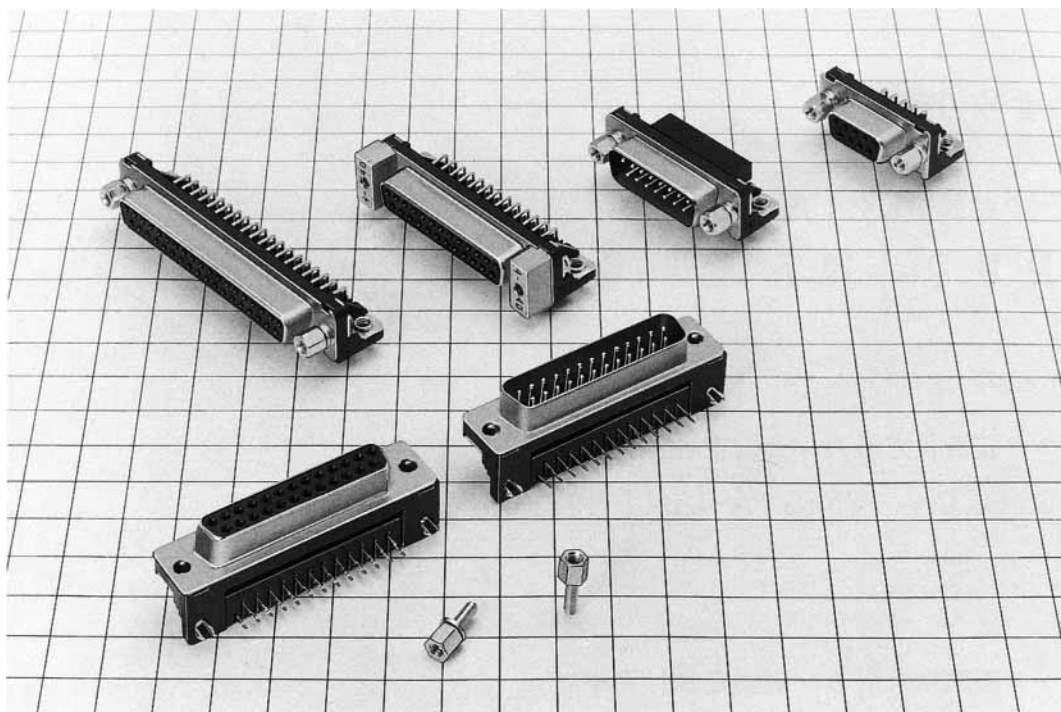


RD ※D SERIES RIGHT-ANGLE TYPE CONNECTORS

General

The RD※D Series use a molded one-piece design for parallel mounting on a PCB. Designed to be directly connected to the circuits in PCBs, the RD※D Series is suitable for labor-saving in connection work and en-

hancing the reliability of wiring.
9, 15, 25, and 37-contact models available. (37-contact):Female connector only



Features

- (1) Compact and sturdy due to a metal shell.
- (2) Simple construction of RD type single mold.
- (3) Offers direct parallel mounting on PCBs in high density and easily connectable to a cable plug.
- (4) Gold plated for contact area and mounting area.
- (5) A wide variety of combinations available, such as dip soldering (HD), crimping (CD), and ribbon IDC termination (FD).
- (6) Uses insulation of highly heat-resistant and chemical-resistant UL synthetic resin.
- (7) Meets your application requirements with a variety of accessories.

Application

Most suitable for modems in communications equipment such as computers, peripherals and terminals, control equipment, measuring instruments, and export equipment.

Electrical and Environmental

Electrical and Environmental Characteristics	
Current capacity	3A
Rated voltage	350V AC
Insulation resistance	5000M Ω min. at 500V DC
Contact resistance	25m Ω max. at 100mA AC
Withstand voltage	1250Vrms Ac for 1 minute

Material and finish		
Shell	Steel	Nickel plating
Insulator	PBT※	Black
Contacts	Phosphor bronze	Nickel plating + Gold plating

※UL94V-0

Ordering Informations

● Lock-free Type

<u>RD</u>	<u>B</u>	<u>D</u>	—	<u>25</u>	<u>S</u>	<u>(4-40)</u>	<u>(55)</u>
(1)	(2)	(3)		(4)	(5)	(9)	(8)

● Type with rectangular bracket to secure lock

<u>RD</u>	<u>B</u>	<u>D</u>	—	<u>25</u>	<u>S</u>	<u>A—LN</u>	<u>(4-40)</u>	<u>(55)</u>
(1)	(2)	(3)		(4)	(5)	(6)	(7)	(8)

● Type with hexagon bracket to secure lock

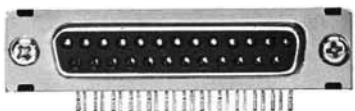
<u>RD</u>	<u>B</u>	<u>D</u>	—	<u>25</u>	<u>S</u>	<u>A—LNA</u>	<u>(4-40)</u>	<u>(55)</u>
(1)	(2)	(3)		(4)	(5)	(6)	(7)	(8)

● Lock retrofitting Type

<u>RD</u>	<u>B</u>	<u>D</u>	—	<u>25</u>	<u>S</u>	<u>E1/M2.6</u>	<u>(55)</u>
(1)	(2)	(3)		(4)	(5)	(6)	(8)

- (1) Model number symbol RD: D sublight-angle type
- (2) Shell size: E, A, B and C
- (3) Serial symbol by type of connector unit: D
- (4) Number of poles: 9, 15, 25 and 37
- (5) Terminal opening shape symbol
S: female terminal P: male terminal
- (6) Substrate Mounting Configuration (grounding hardware configuration)
No symbol M3×0.5
A: $\phi 3 \times 3.2$ pierced hole
E: With simple lock pin to tack substrate (1.6-mm thick)
E1/M2.6: locker-recipient screw M2.6 with simple lock pin to tack substrate (1.6-mm thick)
- (7) Lock Nuts
 Rectangular { LN: M2.6×0.45
 LN(4-40): No.4-40 UNC
 Hexagonal { LNA: M2.6×0.45
 LNA(4-40): No.4-40 UNC
- (8) Specification contents
(55) : Nickel - plated shell
- (9) Type of mounting screws
No symbol: M2.6×0.45
(4-40): No.4-40 UNC

Standard/No Insert



Metric thread



#4-40 thread

Dimensions

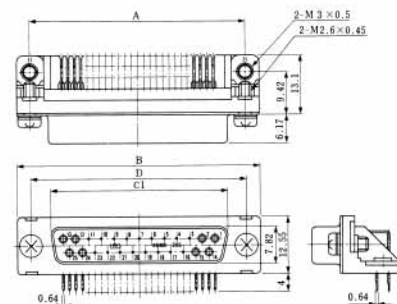
No. of Pin	A	B	C ₁	C ₂	D	E
9	24.99	30.81	16.4	16.9	24.99	8.34
15	33.32	39.14	24.59	25.24	33.32	8.34
25	47.04	53.04	38.3	39.01	47.04	8.4
37	63.5	69.32	54.76	—	63.5	—



RDBD-25S (55)

Panel-mounting threaded holes: M2.6×0.45 (metric)
 Ground terminal (PCB-mounting): M3×0.5

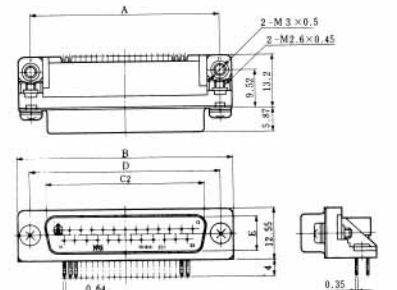
HRS No	No. of Pin	Part No.	RoHS
CL211-0312-3-55	9	RDED-9S (55)	YES
CL211-0315-1-55	15	RDAD-15S (55)	
CL211-0294-3-55	25	RDBD-25S (55)	
CL211-0318-0-55	37	RDCD-37S (55)	



RDBD-25P (55)

Panel-mounting threaded holes: M2.6×0.45 (metric)
 Ground terminal (PCB-mounting): M3×0.5

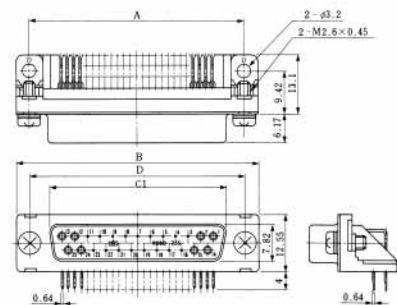
HRS No	No. of Pin	Part No.	RoHS
CL211-0475-8-55	9	RDED-9P (55)	YES
CL211-0496-8-55	15	RDAD-15P (55)	
CL211-0367-5-55	25	RDBD-25P (55)	



RDBD-25SA (55)

Panel-mounting threaded holes: M2.6×0.45 (metric)
 Ground terminal (PCB-mounting): Through-holes

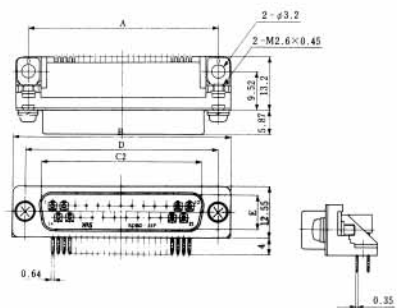
HRS No	No. of Pin	Part No.	RoHS
CL211-0412-8-55	9	RDED-9SA (55)	YES
CL211-0413-0-55	15	RDAD-15SA (55)	
CL211-0297-1-55	25	RDBD-25SA (55)	



RDBD-25PA (55)

Panel-mounting threaded holes: M2.6×0.45 (metric)
 Ground terminal (PCB-mounting): Through-holes

HRS No	No. of Pin	Part No.	RoHS
CL211-0502-9-55	15	RDAD-15PA (55)	YES
CL211-0373-8-55	25	RDBD-25PA (55)	

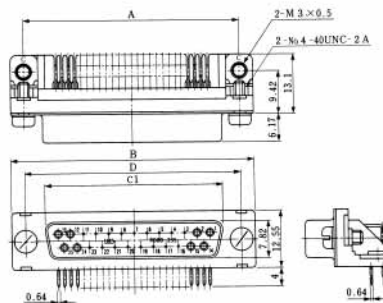




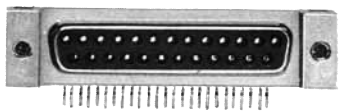
RDBD-25S (4-40) (55)

Panel-mounting threaded holes: No.4-40 UNC (inch)
 Ground terminal (PCB-mounting): M3×0.5

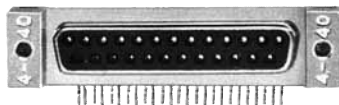
HRS No	No. of Pin	Part No.	RoHS
CL211-0399-1-55	15	RDAD-15S (4-40) (55)	YES
CL211-0300-4-55	25	RDBD-25S (4-40) (55)	YES



Locking Device with Rectangular Mating Locking Base (LN Type)



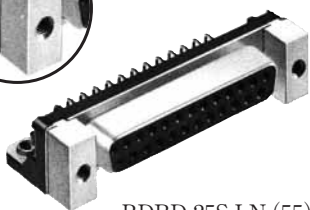
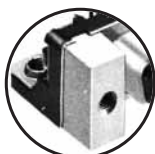
Metric thread



#4-40 thread

Dimensions

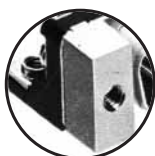
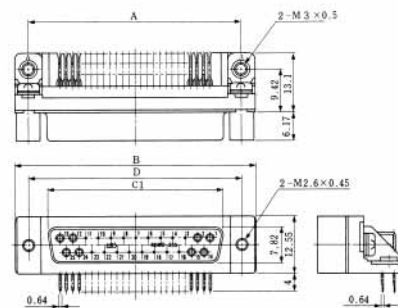
No. of Pin	A	B	C ₁	C ₂	D	E
9	24.99	30.81	16.4	16.9	24.99	8.34
15	33.32	39.14	24.59	25.24	33.32	8.34
25	47.04	53.04	38.3	39.01	47.04	8.4
37	63.5	69.32	54.76	—	63.5	—



RDBD-25S-LN (55)

Rectangular mating threaded holes: M2.6×0.45 (metric)
 Ground terminal (PCB-mounting): M3×0.5

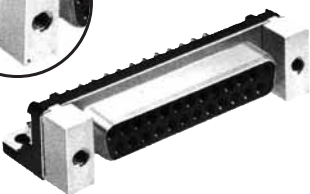
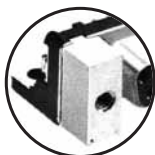
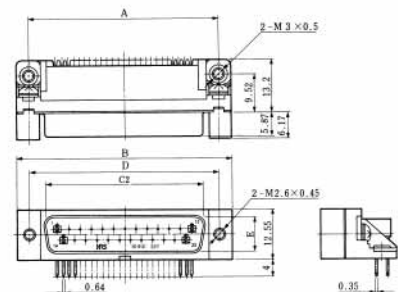
HRS No	No. of Pin	Part No.	RoHS
CL211-0313-6-55	9	RDED-9S-LN (55)	YES
CL211-0316-4-55	15	RDAD-15S-LN (55)	
CL211-0295-6-55	25	RDBD-25S-LN (55)	
CL211-0319-2-55	37	RDCD-37S-LN (55)	



RDBD-25P-LN (55)

Rectangular mating threaded holes: M2.6×0.45 (metric)
 Ground terminal (PCB-mounting): M3×0.5

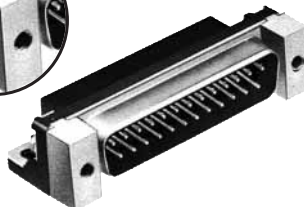
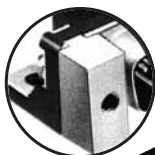
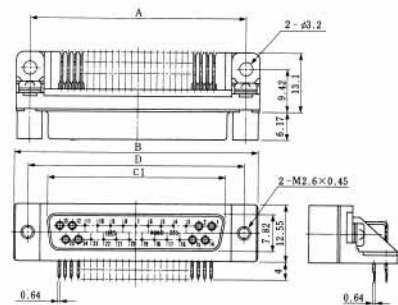
HRS No	No. of Pin	Part No.	RoHS
CL211-0476-0-55	9	RDED-9P-LN (55)	YES
CL211-0497-0-55	15	RDAD-15P-LN (55)	
CL211-0368-8-55	25	RDBD-25P-LN (55)	



RDBD-25SA-LN (55)

Rectangular mating threaded holes: M2.6×0.45 (metric)
 Ground terminal (PCB-mounting): Through-holes

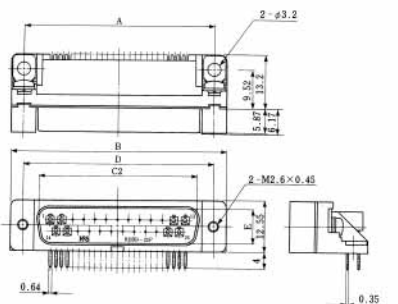
HRS No	No. of Pin	Part No.	RoHS
CL211-0415-6-55	9	RDED-9SA-LN (55)	YES
CL211-0389-8-55	15	RDAD-15SA-LN (55)	
CL211-0285-2-55	25	RDBD-25SA-LN (55)	
CL211-0416-9-55	37	RDCD-37SA-LN (55)	

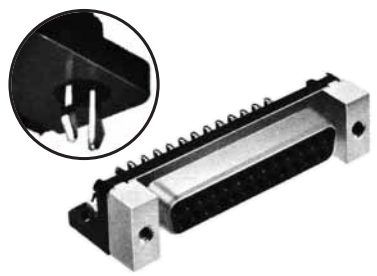


RDBD-25PA-LN (55)

Rectangular mating threaded holes: M2.6×0.45 (metric)
 Ground terminal (PCB-mounting): Through-holes

HRS No	No. of Pin	Part No.	RoHS
CL211-0374-0-55	25	RDBD-25PA-LN (55)	YES

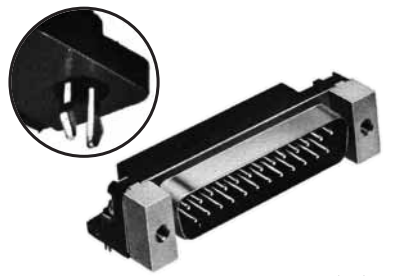
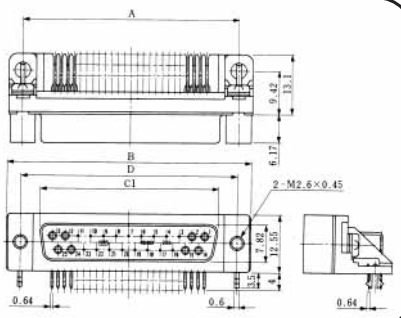




RDBD-25SE-LN (55)

Rectangular-mating threaded holes: M2.6×0.45 (metric)
 Ground terminal (PCB-mounting): Fitted with a simple lock pin for temporary locking on PCB

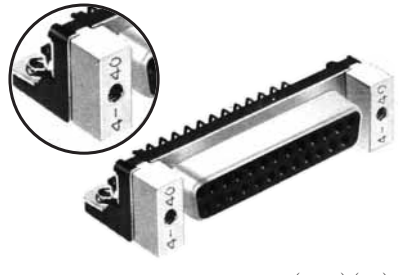
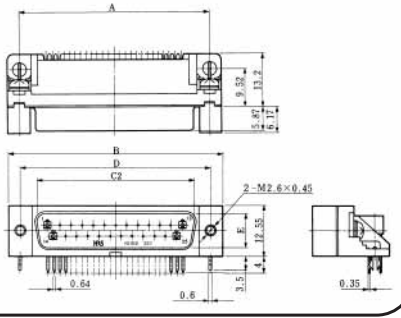
HRS No	No. of Pin	Part No.	RoHS
CL211-0420-6-55	9	RDED-9SE-LN (55)	YES
CL211-0421-9-55	15	RDAD-15SE-LN (55)	
CL211-0293-0-55	25	RDBD-25SE-LN (55)	
CL211-0423-4-55	37	RDCD-37SE-LN (55)	



RDBD-25PE-LN (55)

Rectangular-mating threaded holes: M2.6×0.45 (metric)
 Ground terminal (PCB-mounting): Fitted with a simple lock pin for temporary locking on PCB.

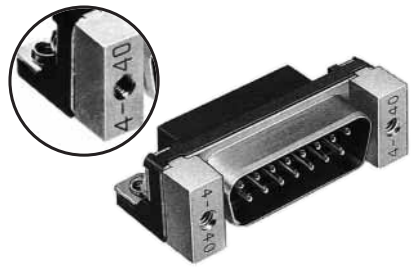
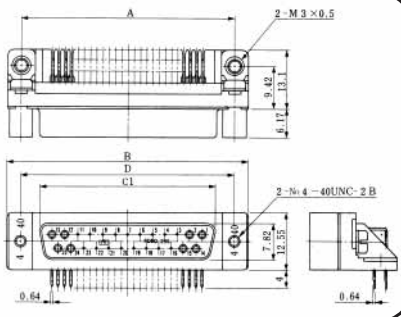
HRS No	No. of Pin	Part No.	RoHS
CL211-0491-4-55	9	RDED-9PE-LN (55)	YES
CL211-0509-8-55	15	RDAD-15PE-LN (55)	
CL211-0437-9-55	25	RDBD-25PE-LN (55)	



RDBD-25S-LN (4-40) (55)

Rectangular mating threaded holes: No.4-40 UNC (inch)
 Ground terminal (PCB-mounting): M3×0.5

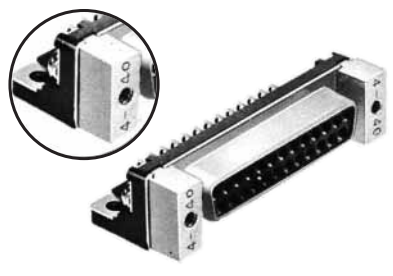
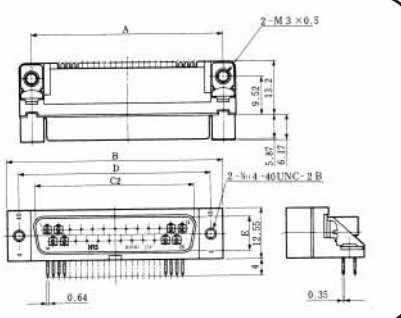
HRS No	No. of Pin	Part No.	RoHS
CL211-0401-1-55	9	RDED-9S-LN (4-40) (55)	YES
CL211-0301-7-55	25	RDBD-25S-LN (4-40) (55)	



RDAD-15P-LN (4-40) (55)

Rectangular mating threaded holes: No.4-40 UNC (inch)
 Ground terminal (PCB-mounting): M3×0.5

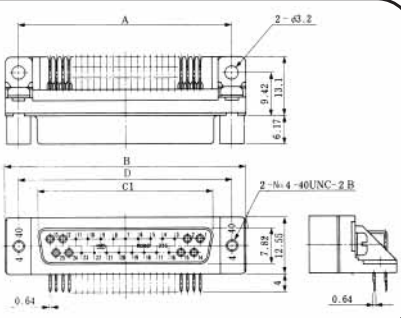
HRS No	No. of Pin	Part No.	RoHS
CL211-0479-9-55	9	RDED-9P-LN (4-40) (55)	YES
CL211-0500-3-55	15	RDAD-15P-LN (4-40) (55)	



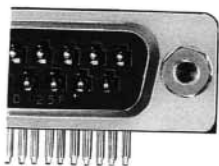
RDBD-25SA-LN (4-40) (55)

Rectangular mating threaded holes: No.4-40 UNC (inch)
 Ground terminal (PCB-mounting): Through-holes

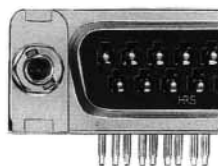
HRS No	No. of Pin	Part No.	RoHS
CL211-0407-8-50	15	RDAD-15SA-LN (4-40) (50)	YES
CL211-0304-5-55	25	RDBD-25SA-LN (4-40) (55)	
CL211-0408-0-55	37	RDCD-37SA-LN (4-40) (55)	



Locking Device with Hexagonal-mating Locking Base (LNA Type)



Metric thread



#4-40 thread

Dimensions

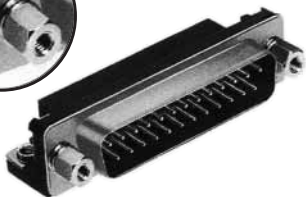
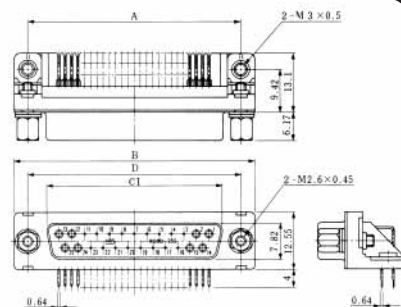
No. of Pin	A	B	C ₁	C ₂	D	E
9	24.99	30.81	16.4	16.9	24.99	8.34
15	33.32	39.14	24.59	25.24	33.32	8.34
25	47.04	53.04	38.3	39.01	47.04	8.4
37	63.5	69.32	54.76	—	63.5	—



RDBD-25S-LNA (55)

Hexagonal-mating threaded holes: M2.6×0.45 (metric)
 Ground terminal (PCB-mounting): M3×0.5

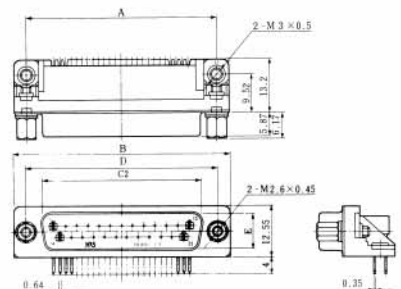
HRS No	No. of Pin	Part No.	RoHS
CL211-0314-9-55	9	RDED-9S-LNA (55)	YES
CL211-0317-7-55	15	RDAD-15S-LNA (55)	
CL211-0296-9-55	25	RDBD-25S-LNA (55)	
CL211-0320-1-55	37	RDCD-37S-LNA (55)	



RDBD-25P-LNA (55)

Hexagonal-mating threaded holes: M2.6×0.45 (metric)
 Ground terminal (PCB-mounting): M3×0.5

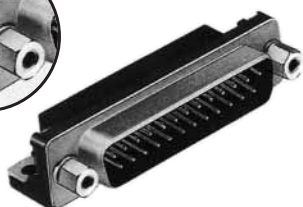
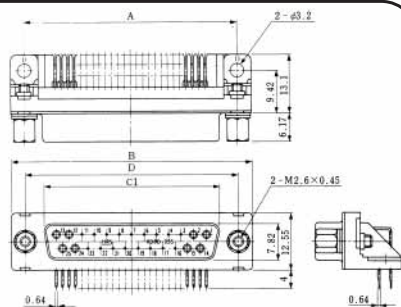
HRS No	No. of Pin	Part No.	RoHS
CL211-0477-3-55	9	RDED-9P-LNA (55)	YES
CL211-0498-3-55	15	RDAD-15P-LNA (55)	
CL211-0369-0-55	25	RDBD-25P-LNA (55)	



RDBD-25SA-LNA (55)

Hexagonal-mating threaded holes: M2.6×0.45 (metric)
 Ground terminal (PCB-mounting): Through-holes

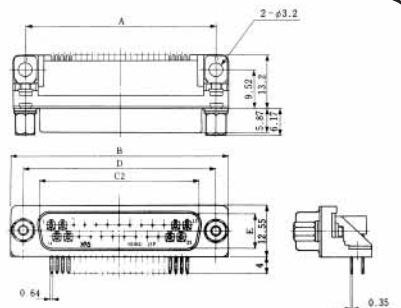
HRS No	No. of Pin	Part No.	RoHS
CL211-0409-3-55	9	RDED-9SA-LNA (55)	YES
CL211-0410-2-55	15	RDAD-15SA-LNA (55)	
CL211-0299-7-55	25	RDBD-25SA-LNA (55)	
CL211-0411-5-55	37	RDCD-37SA-LNA (55)	

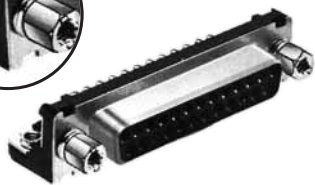


RDBD-25PA-LNA (55)

Hexagonal-mating threaded holes: M2.6×0.45 (metric)
 Ground terminal (PCB-mounting): Through-holes

HRS No	No. of Pin	Part No.	RoHS
CL211-0486-4-55	9	RDED-9PA-LNA (55)	YES
CL211-0504-4-55	15	RDAD-15PA-LNA (55)	
CL211-0375-3-55	25	RDBD-25PA-LNA (55)	

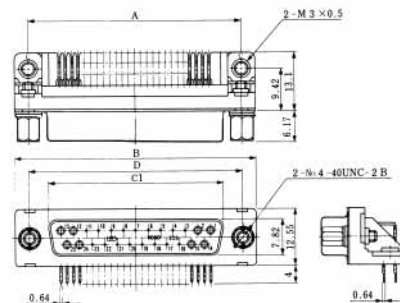




RDBD-25S-LNA (4-40)(55)

Hexagonal-mating threaded holes: No.4-40 UNC (inch)
Ground terminal (PCB-mounting): M3×0.5

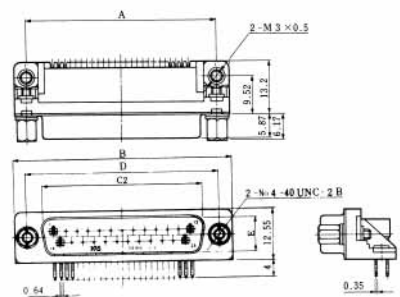
HRS No	No. of Pin	Part No.	RoHS
CL211-0404-0-55	9	RDED-9S-LNA (4-40) (55)	YES
CL211-0384-4-55	15	RDAD-15S-LNA(4-40)(55)	
CL211-0302-0-55	25	RDBD-25S-LNA(4-40)(55)	
CL211-0405-2-55	37	RDCD-37S-LNA(4-40)(55)	



RDBD-25P-LNA (4-40)(55)

Hexagonal-mating threaded holes: No.4-40 UNC (inch)
Ground terminal (PCB-mounting): M3×0.5

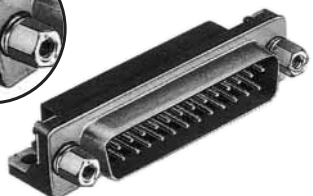
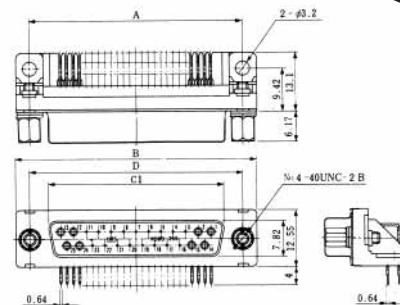
HRS No	No. of Pin	Part No.	RoHS
CL211-0480-8-55	9	RDED-9P-LNA (4-40) (55)	YES
CL211-0501-6-55	15	RDAD-15P-LNA(4-40)(55)	
CL211-0372-5-55	25	RDBD-25P-LNA(4-40)(55)	



RDBD-25SA-LNA(4-40)(55)

Hexagonal-mating threaded holes: No.4-40 UNC (inch)
Ground terminal (PCB-mounting): Through-holes

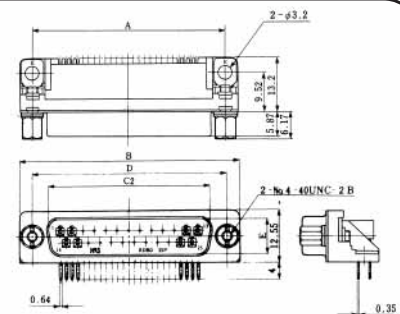
HRS No	No. of Pin	Part No.	RoHS
CL211-0417-1-55	9	RDED-9SA-LNA (4-40) (55)	YES
CL211-0305-8-55	25	RDBD-25SA-LNA(4-40)(55)	



RDBD-25PA-LNA(4-40)(55)

Hexagonal-mating threaded holes: No.4-40 UNC (inch)
Ground terminal (PCB-mounting): Through-holes

HRS No	No. of Pin	Part No.	RoHS
CL211-0489-2-55	9	RDED-9PA-LNA (4-40) (55)	YES
CL211-0377-9-55	25	RDBD-25PA-LNA(4-40)(55)	

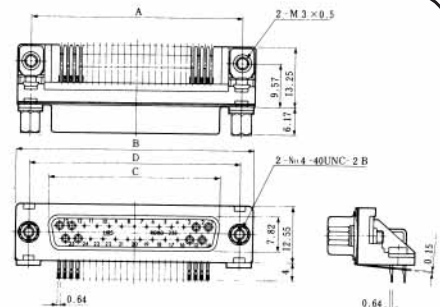




RDBD-25S-LNA(4-40)GP(55)

Hexagonal-mating threaded holes: No.4-40 UNC (inch)
 Ground terminal (PCB-mounting): M3×0.5

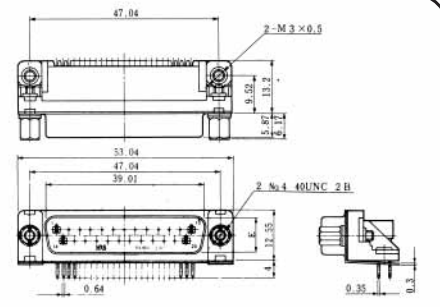
HRS No	No. of Pin	Part No.	RoHS
CL211-0458-9-55	15	RDAD-15S-LNA(4-40)GP(55)	
CL211-0459-1-55	25	RDBD-25S-LNA(4-40)GP(55)	YES
CL211-0460-0-55	37	RDCD-37S-LNA(4-40)GP(55)	



RDBD-25PLNA(4-40)GP2(55)

Hexagonal-mating threaded holes: No.4-40 UNC (inch)
 Ground terminal (PCB-mounting): M3×0.5

HRS No	No. of Pin	Part No.	RoHS
CL211-0539-9-55	25	RDBD-25PLNA(4-40)GP2(55)	YES



Field-Mounting Locking Device



Male contact



Female contact

Dimensions

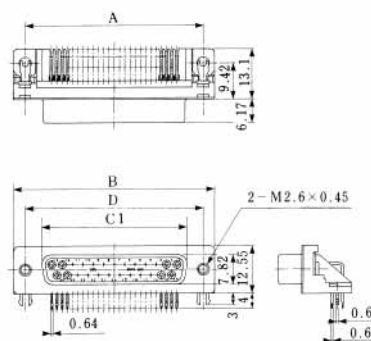
No. of Pin	A	B	C ₁	C ₂	D
9	24.99	30.81	16.4	16.9	24.95
15	33.32	39.14	24.59	25.24	33.32
25	47.04	53.04	38.3	39.01	47.04
37	63.5	69.32	54.76	—	63.55



RDBD-25SE1/M2.6 (55)

Hexagonal mating screw: Not provided (Select from the following according to your application)
 Grounding device (PCB mounting part): With simple locking pin to temporarily lock PCB.
 Applicable PCB thickness: 1.6mm

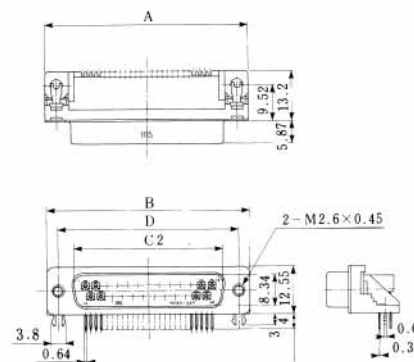
HRS No	No. of Pin	Part No.	RoHS
CL211-5195-9-55	9	RDED-9SE1/M2.6 (55)	YES
CL211-5169-9-55	15	RDAD-15SE1/M2.6 (55)	
CL211-5197-4-55	25	RDBD-25SE1/M2.6 (55)	
CL211-5198-7-55	37	RDCD-37SE1/M2.6 (55)	



RDBD-25PE1/M2.6 (55)

Hexagonal mating screw: Not provided (Select from the following according to your application)
 Grounding device (PCB mounting part): With simple locking pin to temporarily lock PCB.
 Applicable PCB thickness: 1.6mm

HRS No	No. of Pin	Part No.	RoHS
CL211-5168-6-55	9	RDED-9PE1/M2.6 (55)	YES
CL211-5196-1-55	15	RDAD-15PE1/M2.6 (55)	
CL211-5170-8-55	25	RDBD-25PE1/M2.6 (55)	



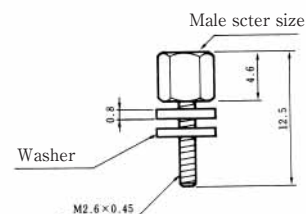
●Special mating locking screw Washer



RDG-LNA-W2

	HRS No	Part No.	No. of pin	Agreement and Thickness	RoHS
M2.6×0.45	CL211-5180-1	RDG-LNA	0	1.6~2.0	YES
	CL211-5181-4	RDG-LNA-W1	1	0.8~1.2	
	CL211-5182-7	RDG-LNA-W2	2	0~0.4	
M0.4-40UNS	CL211-5183-0	RDG-LNA (4-40)	0	1.6~2.0	
	CL211-5184-2	RDG-LNA (4-40)-W1	1	0.8~1.2	
	CL211-5185-5	RDG-LNA (4-40)-W2	2	0~0.4	

Note 1: Finished by nickel plating.
 2: Two screws are packed in one case.
 3: Since the grounding device attached to the connector is fixed temporarily, do not press the locking screw against the grounding device.



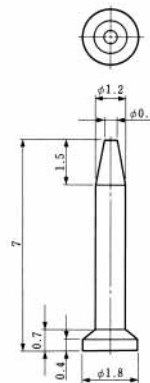
SM Series (D SUB) Accessories

Mis-insertion prevention pin



Note 1: Can be used in the female RD, SD, HD series. For use in the CD series, built-in crimp terminals are required.

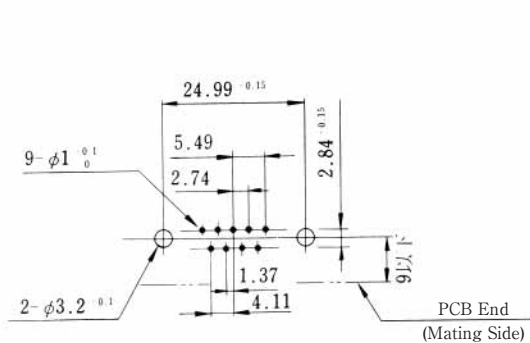
2: As a mating partner, use a male CD (crimp termination) series connector that allows the contact at the part corresponding to the mis-insertion prevention pin to be removed.



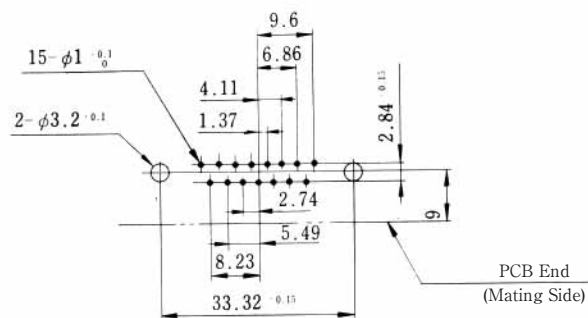
HRS No	Part No.	RoHS
CL211-0436-6	RDBD polarizing pin	YES

Note: Can also be used in the SD and HD series.

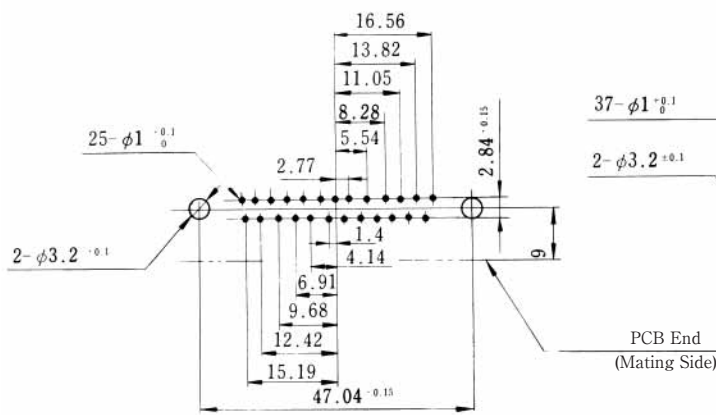
Mounting Pattern (mm)



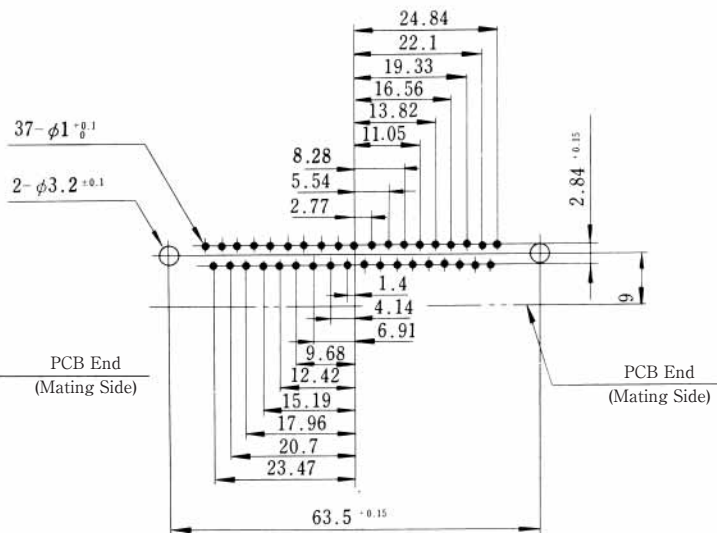
RDED-9



RDAD-15

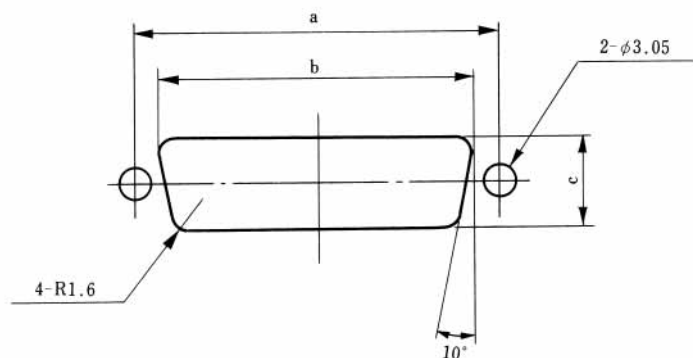


RDBD-25



RDCD-37

Mounting Cutout



Unit: mm

Shell Size	a	b	c
E	24.99	20.2	11.5
A	33.32	28.6	11.5
B	47.04	42.3	11.5
C	63.5	58.7	11.5

Mouser Electronics

Authorized Distributor

Click to View Pricing, Inventory, Delivery & Lifecycle Information:

[Hirose Electric:](#)

[RDAD-15SE1-PLC\(L\)\(57\)](#) [RDBD-25S-LN\(57\)](#) [RDBD-25S-LNA\(57\)](#)