



DESCRIPTION: CAT5E, RJ11 (6P4C) MODULAR PLUG, UNSHIELDED, SOLID/STRANDED, ROUND CABLE

MODEL NUMBER: 32-5994UL

APPLICATION: MODULAR PLUG

CRIMP TOOL: N/A

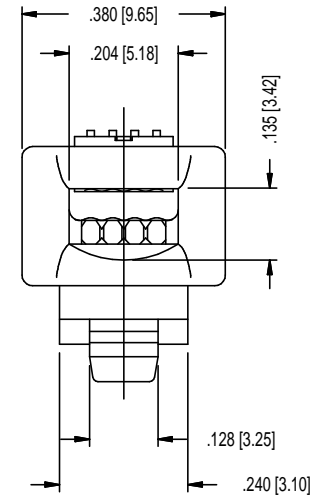
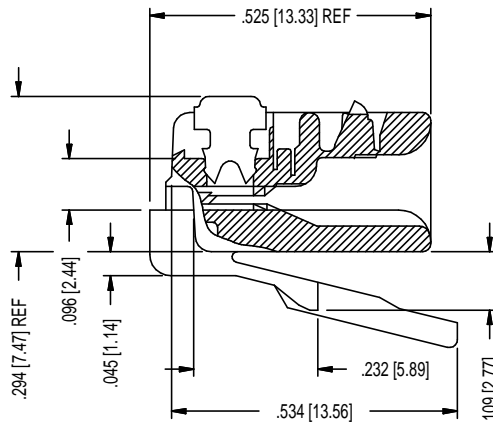
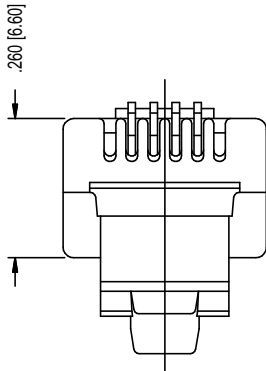
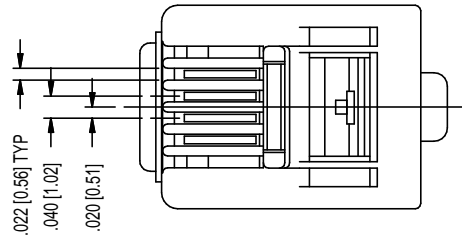
IMPEDANCE: N/A

FREQUENCY RANGE: N/A

MATERIAL: HOUSING CLEAR POLYCARBONATE UL94-V0
CONTACT PHOSPHOR BRONZE
SELECTIVE GOLD PLATING

RoHS COMPLIANCE: YES

TECHINCAL DETAIL: N/A



| | | | |
|--|---|--|------------------------|
| <p>This PROPRIETARY Document is property of Cinch Connectivity Solutions. It is confidential in nature, non-transferable, and issued with the clear understanding that it is not to be traded or copied without permission and is returnable upon demand.</p> <p>INTERPRET DRAWING IN ACCORDANCE WITH ASME Y14.5-2009.</p> | <p>3RD ANGLE PROJECTION</p> | <h2>AIM-Cambridge</h2> | |
| | <p>RoHS2 <input checked="" type="checkbox"/></p> <p>2011/65/EU</p> | <p>Title: CAT5E, RJ11 (6P4C) Modular Plug, Unshielded, Solid/Stranded, Round Cable</p> | |
| | <p>UNLESS OTHERWISE SPECIFIED UNITS: INCH</p> <p>.XX ±.02</p> <p>.XXX ±.005</p> <p>ANGLES ±2°</p> | <p>Model No. 32-5994UL</p> | |
| | <p>Size A</p> | <p>DO NOT SCALE DRAWING</p> | <p>Date: 2015/12/9</p> |

Mouser Electronics

Authorized Distributor

Click to View Pricing, Inventory, Delivery & Lifecycle Information:

[Cinch Connectivity Solutions:](#)

[32-5994UL](#)