

# Ultrasonic Transducer Specification

## 超 声 波 换 能 片

1.品名(Name): 压电陶瓷圆片(Piezo electric Disc)

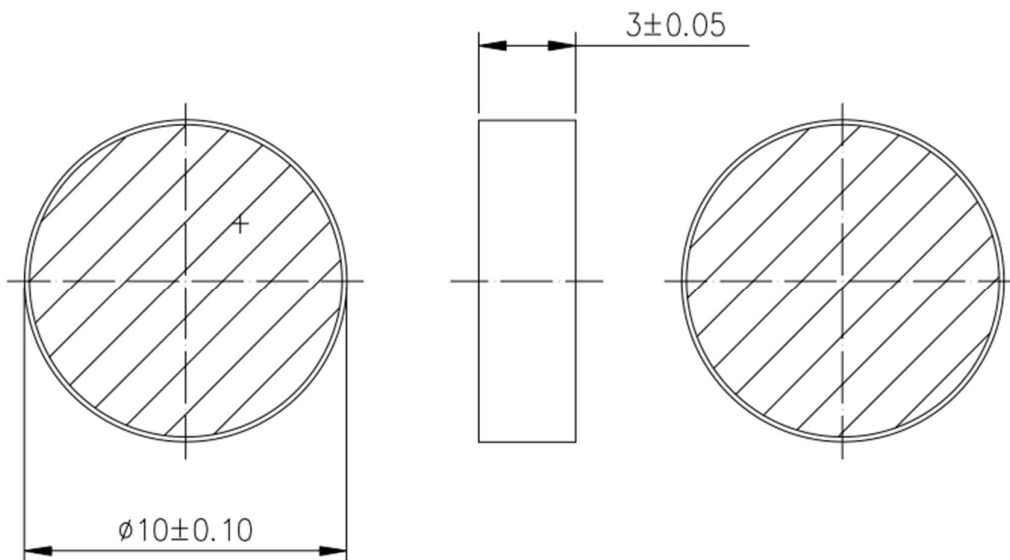
2.产品型号 (PN): JYY-φ10×3.0-P4

3.材料 (Ceramic Material): PZT-41

4.性能参数(Electrical specification):

| 项目<br>Item  | 单位<br>Unit | 标 准<br>Standard | 测试条件(Test condition):<br>T=22°C 极化后 10 天测试                |
|---|------------|-----------------|---|
| 径向谐振频率 (Fs)<br>Radial resonant frequency (Fs)                 | KHz        | 220±20          | 压电阻抗分析仪<br>impedance analyzer                             |
| 厚向谐振频率 (Ft)<br>Thickness resonant frequency (Ft)              | Mhz        | 0.710±0.05      | 压电阻抗分析仪<br>impedance analyzer                             |
| 静电容量 (C0)<br>Static capacitance (C0)                          | pF         | 265±15%         | 数字电桥 At 1000Hz/1V<br>Digital Electric Bridge At 1000Hz/1V |
| 介质损耗 (tgδ)<br>dielectrin loss (tgδ)                           | %          | ≤0.3            | 数字电桥 At 1000Hz/1V<br>Digital Electric Bridge At 1000Hz/1V |
| 机电耦合系数(Kp)<br>Electrical-mechanical coupling coefficient (Kp) |            | ≥0.52           | 压电阻抗分析仪<br>impedance analyzer                             |

5.外观尺寸(Appearance and dimensions):



Remark: This specification is subject to change without prior notice.

6.包装(Package):

| Qty/Carton | Carton Size (cm) | G.W.( Kg ) | N.W.( Kg ) |
|------------|------------------|------------|------------|
| 6000pcs    | 28*22*30cm       | 12.00      | 10.75      |