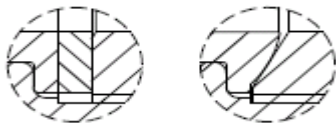


Datasheet

Union F/F, 1-1/4"

RS Stock number 499-3681

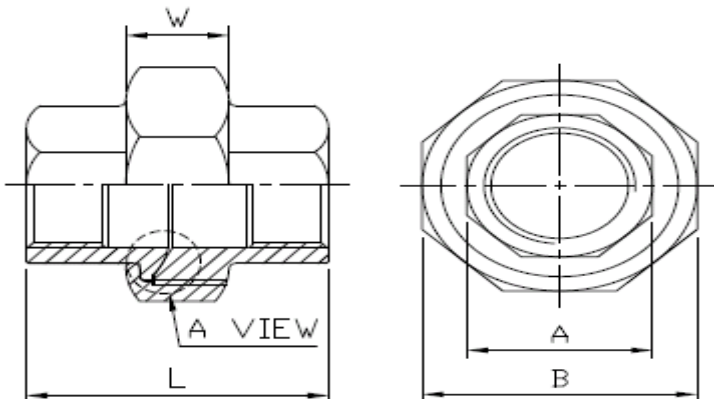
A VIEW



Flat union Conical union



Conical union
with conical seat



1/8"~1/4" Hexagon
3/8"~1" Octagon
1-1/4"~4" Decagon

Standard Pattern

| SIZE | 1/8" | | 1/4" | | 3/8" | | 1/2" | | 3/4" | | 1" | | 1-1/4" | | 1-1/2" | | 2" | | 2-1/2" | | 3" | | 4" | |
|------|------|------|------|------|------|------|------|------|------|------|----|------|--------|------|--------|------|------|------|--------|------|-------|------|-------|------|
| | mm | in | mm | in | mm | in | mm | in | mm | in | mm | in | mm | in | mm | in | mm | in | mm | in | mm | in | mm | in |
| L | 34.5 | 1.36 | 34.5 | 1.36 | 37.6 | 1.48 | 38.6 | 1.52 | 44 | 1.73 | 51 | 2.01 | 58 | 2.28 | 59 | 2.32 | 61.5 | 2.42 | 71 | 2.8 | 90 | 3.54 | 97 | 3.82 |
| A | 17.2 | 0.68 | 17.5 | 0.69 | 20.5 | 0.81 | 26.5 | 1.04 | 31.2 | 1.23 | 38 | 1.5 | 47.5 | 1.87 | 54 | 2.13 | 67 | 2.64 | 83 | 3.27 | 96 | 3.78 | 122.5 | 4.82 |
| B | 28 | 1.1 | 28 | 1.1 | 34 | 1.34 | 39.2 | 1.54 | 46 | 1.81 | 55 | 2.17 | 63.2 | 2.49 | 71 | 2.8 | 85 | 3.35 | 105.5 | 4.15 | 123.7 | 4.87 | 153.5 | 6.04 |
| W | 12.2 | 0.48 | 12.2 | 0.48 | 15 | 0.59 | 15 | 0.59 | 15 | 0.59 | 17 | 0.67 | 20 | 0.79 | 20 | 0.79 | 20.8 | 0.82 | 24 | 0.94 | 28 | 1.1 | 33 | 1.3 |

Tolerance: ±0.5mm(1/8"~2")
±0.8mm(2-1/2"~4")

Economic Pattern

| SIZE | 1/8" | | 1/4" | | 3/8" | | 1/2" | | 3/4" | | 1" | | 1-1/4" | | 1-1/2" | | 2" | | 2-1/2" | | 3" | | 4" | |
|------|------|------|------|------|------|------|------|------|------|------|----|------|--------|------|--------|------|------|------|--------|------|-----|------|-----|------|
| | mm | in | mm | in | mm | in | mm | in | mm | in | mm | in | mm | in | mm | in | mm | in | mm | in | mm | in | mm | in |
| L | 34.5 | 1.36 | 34.5 | 1.36 | 37.6 | 1.48 | 38.6 | 1.52 | 44 | 1.73 | 51 | 2.01 | 58 | 2.28 | 59 | 2.32 | 61.5 | 2.42 | 71 | 2.8 | 90 | 3.54 | 97 | 3.82 |
| A | 16.5 | 0.65 | 16.5 | 0.65 | 20 | 0.79 | 25 | 0.98 | 30 | 1.18 | 36 | 1.42 | 45 | 1.77 | 52 | 2.05 | 64 | 2.52 | 80 | 3.15 | 93 | 3.66 | 118 | 4.65 |
| B | 27 | 1.06 | 27 | 1.06 | 30 | 1.18 | 36 | 1.42 | 41 | 1.61 | 50 | 1.97 | 57.5 | 2.26 | 65 | 2.56 | 77 | 3.03 | 96 | 3.78 | 112 | 4.41 | 138 | 5.43 |
| W | 12.2 | 0.48 | 12.2 | 0.48 | 15 | 0.59 | 15 | 0.59 | 15 | 0.59 | 17 | 0.67 | 20 | 0.79 | 20 | 0.79 | 20.8 | 0.82 | 24 | 0.94 | 28 | 1.1 | 33 | 1.3 |

Tolerance: ±0.5mm(1/8"~2")
±0.8mm(2-1/2"~4")