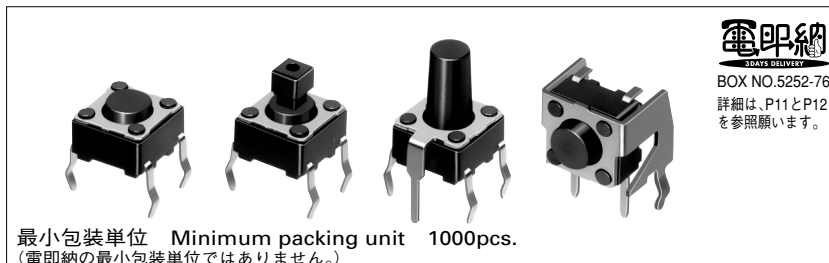


タクトスイッチ (シャープフィーリング、スナップインタイプ) SKHHシリーズ

TACT Switches (Sharp Feeling and Snap-in Type)

SKHH Series

あらゆる電子機器ニーズに豊富なバラエティで対応。
Available in wide variety and suitable for any electronic equipment.



■ 特長

- 取付方法は、プリント基板へスナップイン方式で直接取付け可能。
- 出力端子の一部がジャンパリードとして使え、回路設計が容易。
- 静電気対策に便利なアース端子付きも用意。
- 推奨プリント基板板厚は1.6mm。0.8~1mmのプリント基板対応については、ご相談ください。

■ 用途

- 電子化に対応した各種オーディオ機器、事務機、通信機、計測器、TV、VTRなどの各種操作用

■ Features

- Snap-in type, can be mounted directly on P.C.Board.
- Part of output terminals can be used as jumper lead, thus making circuit arrangement easy.
- Available with ground terminal for electrostatic discharge.
- Although the recommended P.C.Board thickness is 1.6mm, the models which can be mounted on P.C.Boards of 0.8 to 1mm thick are also available upon request.

■ Applications

- Operating switches in all types of electronic equipment such as audio apparatus, office equipment, communications apparatus, measuring instruments, TV sets, VCRs, etc.

■ 製品一覧 Products Line

バーチカルタイプ Vertical Type

製品名 Model	製品番号 Model No.	作動力 Operating force	移動量 Travel	最大定格 Ratings (max.)	寿命 Lifetime (5mA 5V DC)	初期接触抵抗 Initial contact resistance	ステム色調 Stem color	バラエティ Variety	
SKHHAJ	SKHHAJA010	0.98N {100gf}	0.25mm	50mA 12V DC	10 ⁶ cycles	100mΩ max.	Black	Stem height h=4.3mm	
SKHHAL	SKHHALA010	1.568N {160gf}			5×10 ⁵ cycles		Dark gray		
SKHHAQ	SKHHAQA010	2.548N {260gf}			2×10 ⁵ cycles		Red		
SKHHBC	SKHHBCA010	1.96N {200gf}			2×10 ⁶ cycles		Ivory	Stem height h=5mm	
SKHHAK	SKHHAKA010	0.98N {100gf}			10 ⁶ cycles		Black		
SKHHAM	SKHHAMA010	1.568N {160gf}			5×10 ⁵ cycles		Dark gray		
SKHHAR	SKHHARA010	2.548N {260gf}			2×10 ⁵ cycles		Red		
SKHHDC	SKHHDCA010	1.96N {200gf}			2×10 ⁶ cycles		2×10 ⁶ cycles	Ivory	Stem height h=7mm
SKHHCQ	SKHHCQA010	3.528N {360gf}			2×10 ⁵ cycles		Orange		
SKHHCR	SKHHCRA010	5.096N {520gf}			2×10 ⁵ cycles		Yellow		
SKHHBV	SKHHBVA010	0.98N {100gf}			10 ⁶ cycles		10 ⁶ cycles	Black	Stem height h=9.5mm
SKHHBW	SKHHBWA010	1.568N {160gf}			5×10 ⁵ cycles		5×10 ⁵ cycles	Dark gray	
SKHHBY	SKHHBYA010	2.548N {260gf}			2×10 ⁵ cycles		2×10 ⁵ cycles	Red	Stem height h=13mm
SKHHAN	SKHHANA010	0.98N {100gf}			10 ⁶ cycles		10 ⁶ cycles	Black	
SKHHAP	SKHHAPA010	1.568N {160gf}			5×10 ⁵ cycles		5×10 ⁵ cycles	Dark gray	Stem height h=17mm
SKHHBS	SKHHBSA010	2.548N {260gf}			2×10 ⁵ cycles		2×10 ⁵ cycles	Red	
SKHHDT	SKHHDTA010	0.98N {100gf}			10 ⁶ cycles		10 ⁶ cycles	Black	Stem height h=17mm
SKHHDU	SKHHDUA010	1.568N {160gf}			5×10 ⁵ cycles		5×10 ⁵ cycles	Dark gray	
SKHHDH	SKHHDHA010	0.98N {100gf}			10 ⁶ cycles		10 ⁶ cycles	Black	Stem height h=17mm
SKHHDJ	SKHHDJA010	1.568N {160gf}			3×10 ⁵ cycles		3×10 ⁵ cycles	Dark gray	

注記 Notes



このマークのついている製品は、日本生産のほか海外生産も行っております (一部の製品については、海外生産のみとなっております)。詳しくは、P.347の「海外生産製品一覧表」をご覧ください。

The products with this mark are produced in Japan and overseas. (Some products are produced overseas only.) For details, please refer to "Overseas Products line" on P.347.

1. 詳細仕様は、P.328を参照願います。
2. はんだ付条件は、P.329を参照願います。
1. For detailed specifications, refer to P.328.
2. For soldering conditions, refer to P.329.

■ 製品一覧 Products Line

● ジョイントステムタイプ Joint Stem Type

製品名 Model	製品番号 Model No.	作動力 Operating force	移動量 Travel	最大定格 Ratings (max.)	寿命 Lifetime (5mA 5V DC)	初期接触抵抗 Initial contact resistance	ステム色調 Stem color	バラエティ Variety
SKHHCW	SKHHCWA010	0.98N {100gf}	0.25mm	50mA 12V DC	10 ⁶ cycles	100mΩ max.	Black	Stem height h=7.3mm
SKHHDA	SKHHDA010	1.568N {160gf}			5×10 ⁵ cycles		Dark gray	
SKHHDG	SKHHDGA010	2.548N {260gf}			2×10 ⁵ cycles		Red	

● アース端子付タイプ With Ground Terminal Type

製品名 Model	製品番号 Model No.	作動力 Operating force	移動量 Travel	最大定格 Ratings (max.)	寿命 Lifetime (5mA 5V DC)	初期接触抵抗 Initial contact resistance	ステム色調 Stem color	バラエティ Variety
SKHHPJ	SKHHPJA010	0.98N {100gf}	0.25mm	50mA 12V DC	10 ⁶ cycles	100mΩ max.	Black	Stem height h=4.3mm
SKHHPL	SKHHPLA010	1.568N {160gf}			5×10 ⁵ cycles		Dark gray	
SKHHPQ	SKHHPQA010	2.548N {260gf}			2×10 ⁵ cycles		Red	
SKHHQG	SKHHQGA010	1.96N {200gf}			2×10 ⁶ cycles		Ivory	Stem height h=5mm
SKHHPK	SKHHPKA010	0.98N {100gf}			10 ⁶ cycles		Black	
SKHHPM	SKHHPMA010	1.568N {160gf}			5×10 ⁵ cycles		Dark gray	
SKHHPR	SKHHPRA010	2.548N {260gf}			2×10 ⁵ cycles		Red	Stem height h=7mm
SKHHQV	SKHHQVA010	0.98N {100gf}			10 ⁶ cycles		Black	
SKHHQW	SKHHQWA010	1.568N {160gf}			5×10 ⁵ cycles		Dark gray	
SKHHQY	SKHHQYA010	2.548N {260gf}			2×10 ⁵ cycles		Red	Stem height h=9.5mm
SKHHPN	SKHHPNA010	0.98N {100gf}			10 ⁶ cycles		Black	
SKHHPP	SKHHPPA010	1.568N {160gf}			5×10 ⁵ cycles		Dark gray	
SKHHQN	SKHHQNA010	2.548N {260gf}			2×10 ⁵ cycles		Red	

● ホリゾンタルタイプ Horizontal Type

製品名 Model	製品番号 Model No.	作動力 Operating force	移動量 Travel	最大定格 Ratings (max.)	寿命 Lifetime (5mA 5V DC)	初期接触抵抗 Initial contact resistance	ステム色調 Stem color	バラエティ Variety
SKHHLM	SKHHLMA010	0.98N {100gf}	0.25mm	50mA 12V DC	10 ⁶ cycles	100mΩ max.	Black	Stem length l=3.85mm
SKHHLN	SKHHLNA010	1.568N {160gf}			5×10 ⁵ cycles		Dark gray	
SKHHLP	SKHHLPA010	2.548N {260gf}			2×10 ⁵ cycles		Red	
SKHHLQ	SKHHLQA010	0.98N {100gf}			10 ⁶ cycles		Black	Stem length l=8.35mm
SKHHLR	SKHHLRA010	1.568N {160gf}			5×10 ⁵ cycles		Dark gray	
SKHHL S	SKHHL SA010	2.548N {260gf}			2×10 ⁵ cycles		Red	
SKHHLU	SKHHLUA010	0.98N {100gf}			10 ⁶ cycles		Black	Stem length l=5.85mm
SKHHLV	SKHHLVA010	1.568N {160gf}			5×10 ⁵ cycles		Dark gray	
SKHHLW	SKHHLWA010	2.548N {260gf}			2×10 ⁵ cycles		Red	
SKHHNH	SKHHNHA010	0.98N {100gf}			5×10 ⁵ cycles		Black	Stem length l=15.85mm
SKHHNJ	SKHHNJA010	1.568N {160gf}			3×10 ⁵ cycles		Dark gray	
SKHHNK	SKHHNKA010	2.548N {260gf}			2×10 ⁵ cycles		Red	

Power

Push

Slide

Rotary

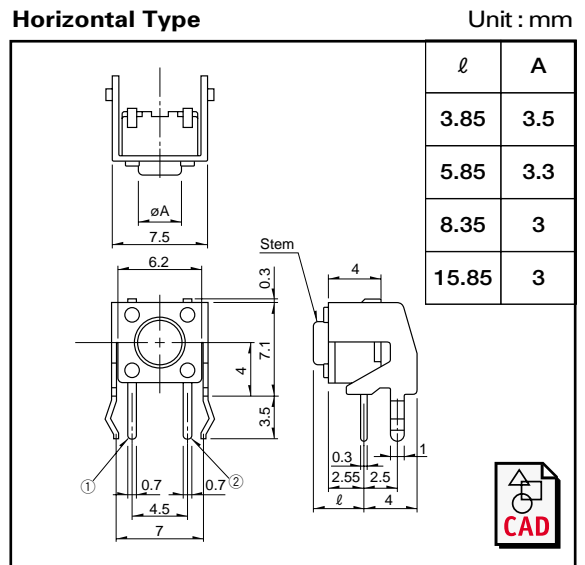
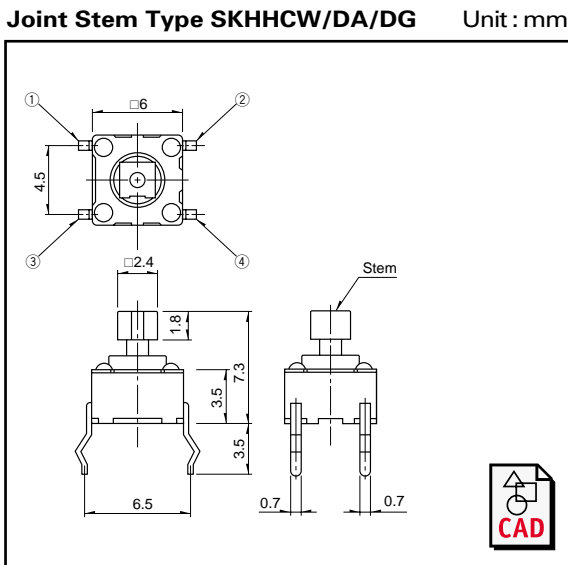
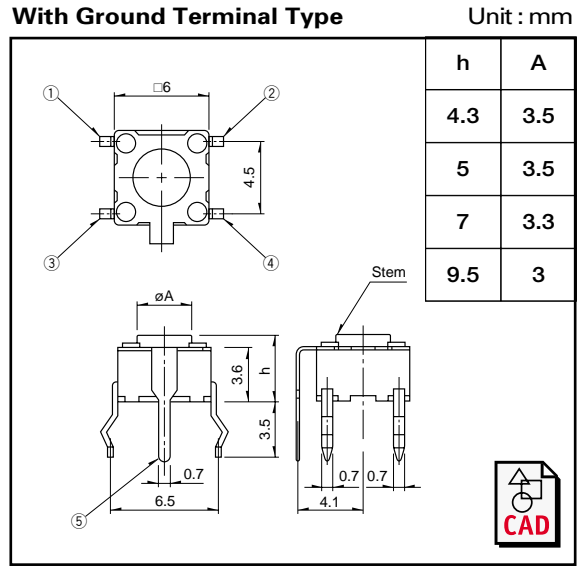
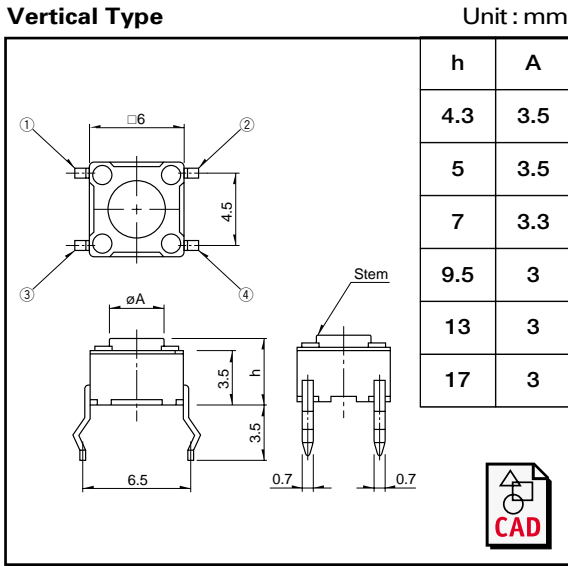
Telephone-hook

Detector

Vibration, Inversion and
Tilt SensorsDual In-line
Package TypeComposite
Control

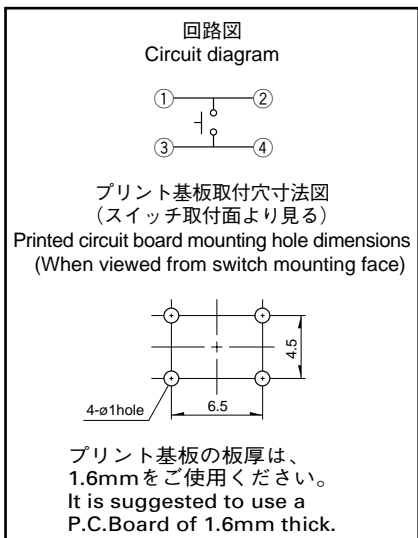
TACT

■代表形状 Typical Dimensions

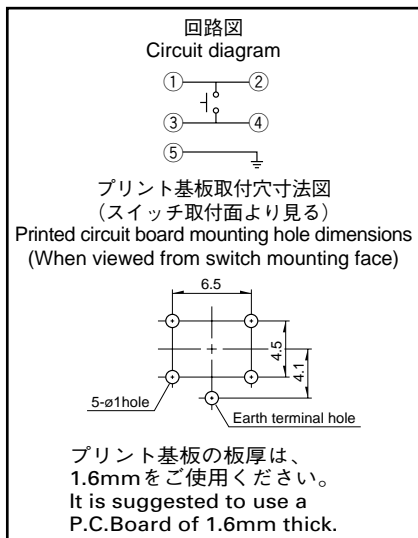


■共通仕様 Common Specifications

Vertical Type/Joint Stem Type Unit : mm



With Ground Terminal Type Unit : mm



Horizontal Type Unit : mm

