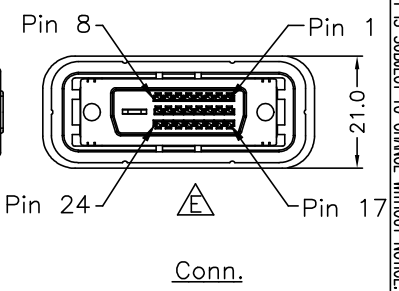
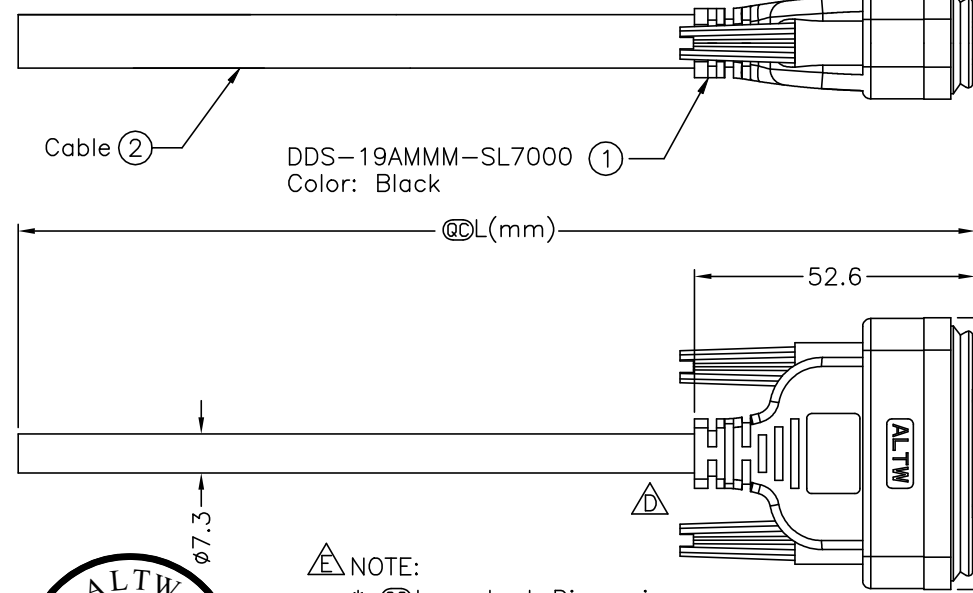


REV.	ECN NO.	DATE	SIGN	DESCRIPTION
C	LEN-780057	2007/08/02	Jill	Modify Pin Out
D	LEN1770030~32	2017/06/30	Ruru	Change Logo & SR
E	C200966	2020/06/30	Ruru	△ X3

Pin No.	Wire Color	Wire Type
24	White	2
23	Blue	
22	Drain	
21		
20		△ C 2
19	Drain	
18	Red	
17	White	
16	White	4
15	Orange	
14	Yellow	
13		3
12		
11	Drain	
10	Green	2
9	White	
8		4
7	Purple	
6	Red	
5		
4		2
3	Drain	
2	Brown	
1	White	



NOTE:

- * @L Important Dimension
- * Waterproof Rate: IP67, Unmated
- * Housing: Thermoplastic, Black
- * Pin: Copper Alloy, Gold Plated
- * Gasket: Rubber, Black
- * SCREW: Steel, Nickel Plated
- * Cable: UL20276 (1P*28#+D+AL+MYLAR)*
4C+(1P+3C)*28#+AL+B, Black, OD=7.3mm
- * Cable Length Tolerance: 1M~5M±5%mm,

△ @ * DVI CONN.的 金屬殼與銅箔及Braid 需做導通測試且能導通

DDS-19AMMM-SL7AXX
 XX:01-05Meters
 01:01Meter
 02:02Meters
 :
 :
 05:05Meters
 Cable Length (L):01~05Meters

UNIT:mm		TITLE DVI, DVI-D SINGLE, 19P, CABLE W/SR M, M, MOLDING, SCREW
TOLERANCE ±0.5 mm	SCALE Free	SHEET 1 OF 1
REV. E	SIZE A4	@ :Inspection Item

Amphenol LTW
 安費諾亮泰企業股份有限公司

ITEM NO	DRAWN BY Ruru	DATE 2017/06/30
DWG NO DDS-19AMMM-SL7AXX	CHECKED BY Rita	DATE 2017/06/30
CUSTOMER ALTW	APPROVED BY Max	DATE 2017/06/30

THIS DOCUMENT IS SUBJECT TO CHANGE WITHOUT NOTICE. IT IS CONFIDENTIAL AND A PROPERTY OF Amphenol LTW. DISCLOSURE TO THIRD PARTY HAS TO BE AUTHORIZED BY Amphenol LTW.

Mouser Electronics

Authorized Distributor

Click to View Pricing, Inventory, Delivery & Lifecycle Information:

[Amphenol:](#)

[DDS-19AMMM-SL7A02](#) [DDS-19AMMM-SL7A05](#) [DDS-19AMMM-SL7A01](#)