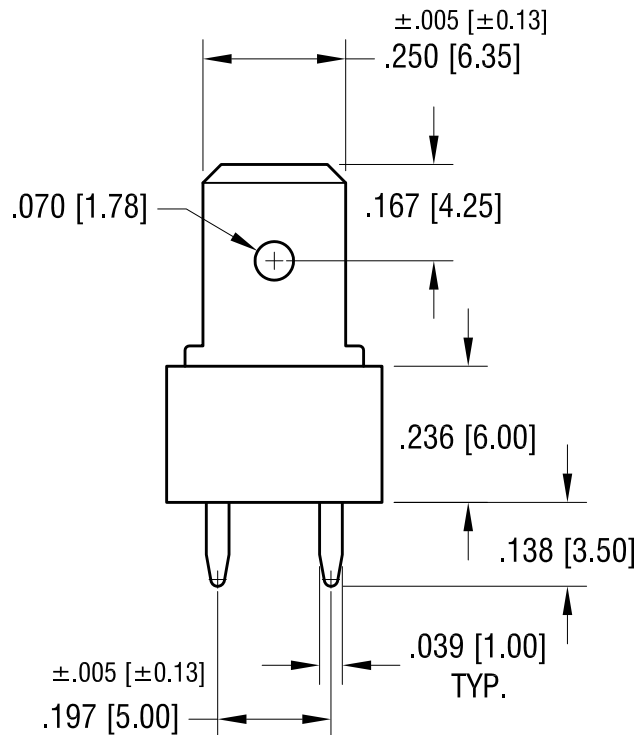
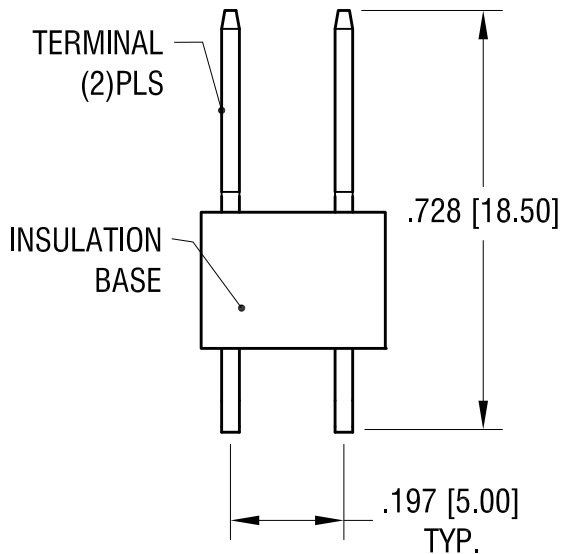
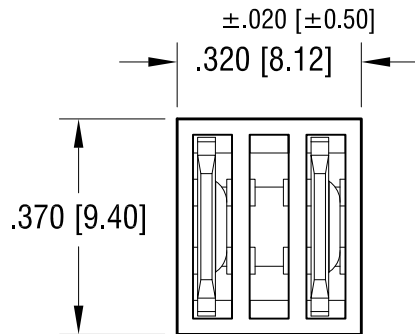
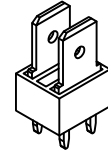


THIS DOCUMENT IS THE PROPERTY OF
KEYSTONE ELECTRONICS CORP. AND
SHALL NOT BE REPRODUCED, DISTRIBUTED
OR USED AS A BASIS FOR MANUFACTURE
WITHOUT PRIOR WRITTEN PERMISSION
FROM KEYSTONE ELECTRONICS CORP.

ACTUAL SIZE



NOTE:

TERMINAL: MAT'L- .031 [0.78] TH'K BRASS

FINISH: TIN PLATE

INSULATION: MAT'L- GLASS FILLED NYLON, 94V-0

KEYSTONE ELECTRONICS CORP.

www.keyelco.com • ASTORIA, N.Y. 11105-2017 • Tel (718) 956-8900

PART NAME

INSULATED QUICK-FIT TERMINAL (2) TWO

MATERIAL

AS NOTED

FINISH

AS NOTED

DRN BY

NT

DATE

2.14.13

APP'D

LN

SCALE

3X

10.7.13 CHANGE AS PER ECN13-083

A

TOLERANCES

INCH [MM]

DECIMAL ±.010 [±0.25]

CODE

DWG NO.

ANGULAR ± 1°
UNLESS OTHERWISE SPECIFIED

C

7817

DATE

DESCRIPTION

REV.

Mouser Electronics

Authorized Distributor

Click to View Pricing, Inventory, Delivery & Lifecycle Information:

[Keystone Electronics:](#)

[7817](#)