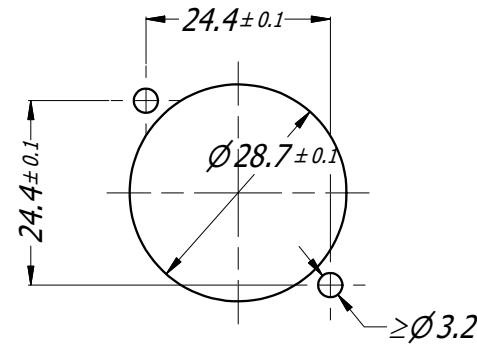


**3D VIEW**  
1:1



**PANEL CUTOUT**

**NOTES:**  
 - USE SCREW #4 OR M3  
 - SCREW TORQUE: 0.4 N-m ( 3.5 lb-in) MAX

UNLESS OTHERWISE SPECIFIED TOLERANCE TO BE		THIS DOCUMENT IS THE PROPERTY OF AMPHENOL AUSTRALIA PTY. LTD. NO PART THEREOF MAY BE REPRODUCED AND USED WITHOUT THE PRIOR WRITTEN CONSENT OF THE OWNER.				<b>Amphenol</b> Amphenol Australia Pty.Ltd, 22 Industry Blvd, Carrum Downs VIC 3201	
LINEAR	ANGULAR	MATERIAL: <b>REFER COMPONENTS</b>	DRN: T.N	DATE: 29/08/16	TITLE: <b>FEMALE PANEL MOUNT HP SERIES WITHOUT DIVIDER</b>	PART No:	REV
X ± 0.5	X' ± 1		CKD: P.M	DATE: 29/08/16		<b>HPT-3-FDW</b>	<b>1</b>
X.X ± 0.1	X.X' ± 30'	FINISH:	APP'D: P.M	DATE: 29/08/16	DRAWING No. <b>55011094-000-4</b>	SHEET <b>4 / 4</b>	
X.X ± 0.05	X.X'X " ± 15"		THIRD ANGLE PROJECTION				SCALE: <b>1:1</b>
BREAK ALL SHARP EDGES AND REMOVE ALL BURRS		DO NOT SCALE		DIMENSIONS IN MILLIMETRES		CB4.17.F1	

# Mouser Electronics

Authorized Distributor

Click to View Pricing, Inventory, Delivery & Lifecycle Information:

[Amphenol:](#)

[HPT-3-FDW](#)