



Product Features:

- 10/100BASE-TX Ethernet RJ45
- IEEE802.3af Compliant
- 100% Compliance Testing
- 1500Vrms Hi-Pot
- 30µ" Gold (min) on Contacts
- Proprietary Robust Contact Design

Part Number		Circuit	LED's (L/R)	PoE	Return Loss (min)				Insertion Loss (max)
Standard Temp (0 to 70°C)	Extended Temp (-40 to +85°C)				1-30MHz	40MHz	50MHz	60-80MHz	
HFJ11-RP44ERL	HFJ11-RPE44ERL	A	None	✓	-18dB	-15.5dB	-13.6dB	-12dB	-1.1dB
HFJ11-RP44E-L11RL	HFJ11-RPE44E-L11RL	A	G/G	✓	-18dB	-15.5dB	-13.6dB	-12dB	-1.1dB
HFJ11-RP44E-L12RL	HFJ11-RPE44E-L12RL	A	G/Y	✓	-18dB	-15.5dB	-13.6dB	-12dB	-1.1dB
HFJ11-RP44E-L15RL	HFJ11-RPE44E-L15RL	A	G/G(Y)	✓	-18dB	-15.5dB	-13.6dB	-12dB	-1.1dB
HFJ11-RP44E-L21RL	HFJ11-RPE44E-L21RL	A	Y/G	✓	-18dB	-15.5dB	-13.6dB	-12dB	-1.1dB
HFJ11-RP48ERL*	HFJ11-RPE48ERL	B	None	✓	-18dB	-15.5dB	-13.6dB	-12dB	-1.1dB
HFJ11-RP48E-L11RL*	HFJ11-RPE48E-L11RL	B	G/G	✓	-18dB	-15.5dB	-13.6dB	-12dB	-1.1dB
HFJ11-RP48E-L12RL*	HFJ11-RPE48E-L12RL	B	G/Y	✓	-18dB	-15.5dB	-13.6dB	-12dB	-1.1dB
HFJ11-RP48E-L15RL*	HFJ11-RPE48E-L15RL	B	G/G(Y)	✓	-18dB	-15.5dB	-13.6dB	-12dB	-1.1dB
HFJ11-RP48E-L21RL*	HFJ11-RPE48E-L21RL	B	Y/G	✓	-18dB	-15.5dB	-13.6dB	-12dB	-1.1dB

*RP48 and RPE48 for use with current drive Auto-MDIX PHY's only

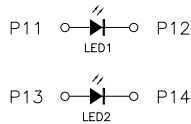
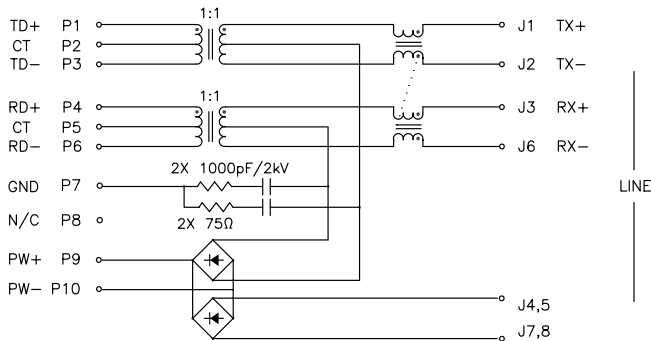
Notes:

1. When using the RP44E or RPE44E circuits please contact the factory or local representative PCB layout app note
2. LED Key : G = Green, Y = Yellow, O = Orange, () = Bi-Color
3. Other LED colors, bi-colors, polarities, and current limiting versions available
4. Available without ground tabs
5. Part specific datasheets available

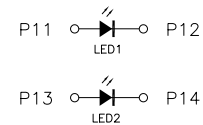
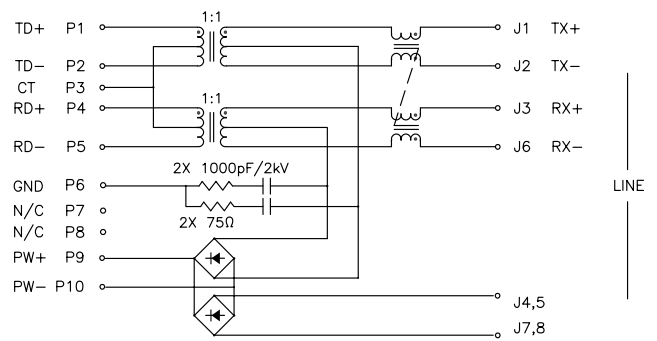
HALO 10/100BASE-TX Ethernet Family of FastJacks

Circuit A

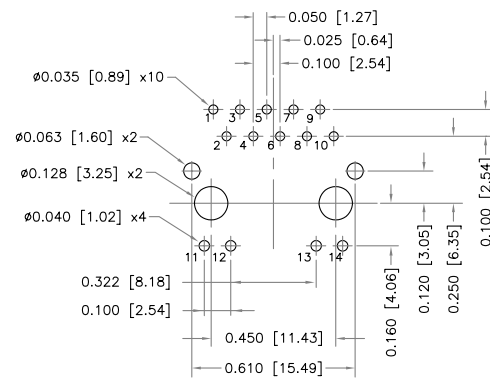
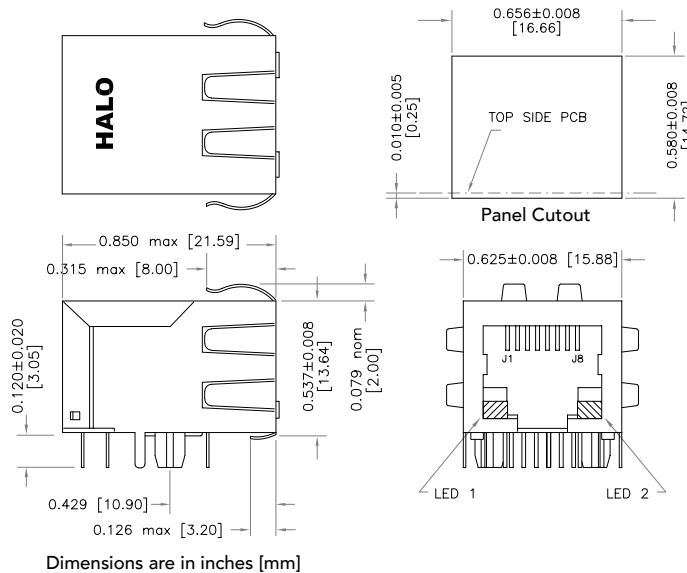
If using circuit A please contact the factory for suggested solder pad layout.



Circuit B



Mechanical



2880 Lakeside Drive #116
Santa Clara, CA 95054
(650) 903-3800
www.haloelectronics.com

HALO® Electronics is a leading supplier of high quality communication magnetics including signal transformers, filters, CMR chokes, PoE power transformers, DC/DC converters, and integrated Ethernet connectors. HALO's leading edge technology solutions are manufactured in ISO9001 and ISO14001 factories offering high quality products at a competitive price.

Mouser Electronics

Authorized Distributor

Click to View Pricing, Inventory, Delivery & Lifecycle Information:

HALO Electronics:

[HFJ11-RPE48E-L12RL](#) [HFJ11-RP44E-L11RL](#) [HFJ11-RPE44E-L12RL](#) [HFJ11-RPE48ERL](#) [HFJ11-RP48E-L12RL](#)
[HFJ11-RP48ERL](#) [HFJ11-RPE44E-L11RL](#) [HFJ11-RP44E-L12RL](#) [HFJ11-RPE44ERL](#) [HFJ11-RP44ERL](#) [HFJ11-](#)
[RP48E-L11RL](#) [HFJ11-RPE48E-L11RL](#) [HFJ11-RP44E-L15RL](#) [HFJ11-RPE44E-L15RL](#) [HFJ11-RP48E-L15RL](#) [HFJ11-](#)
[RP48E-L21RL](#) [HFJ11-RPE48E-L21RL](#) [HFJ11-RP44E-L21RL](#) [HFJ11-RPE44E-L21RL](#) [HFJ11-RPE48E-L15RL](#)