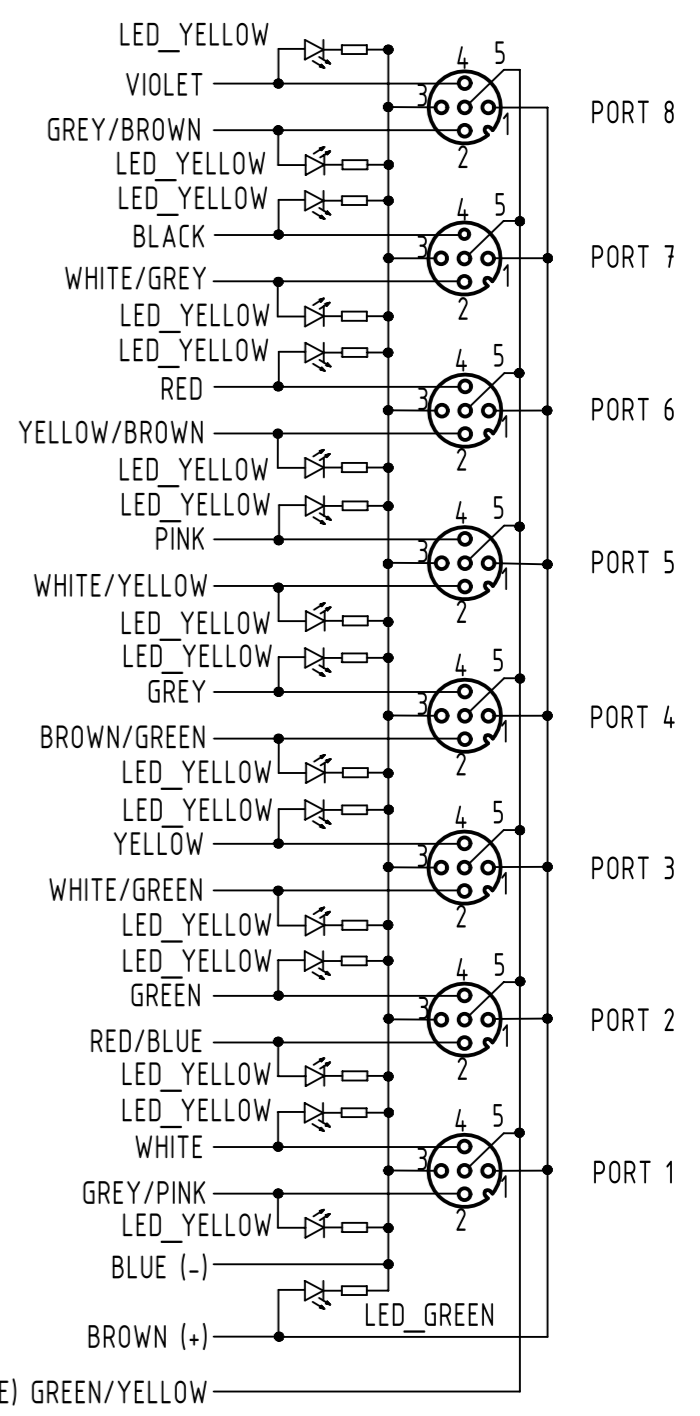
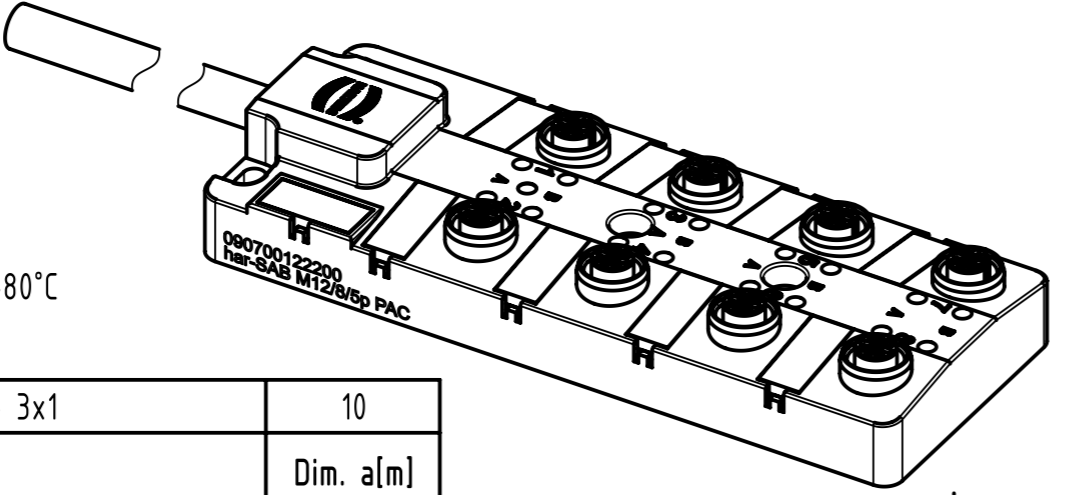
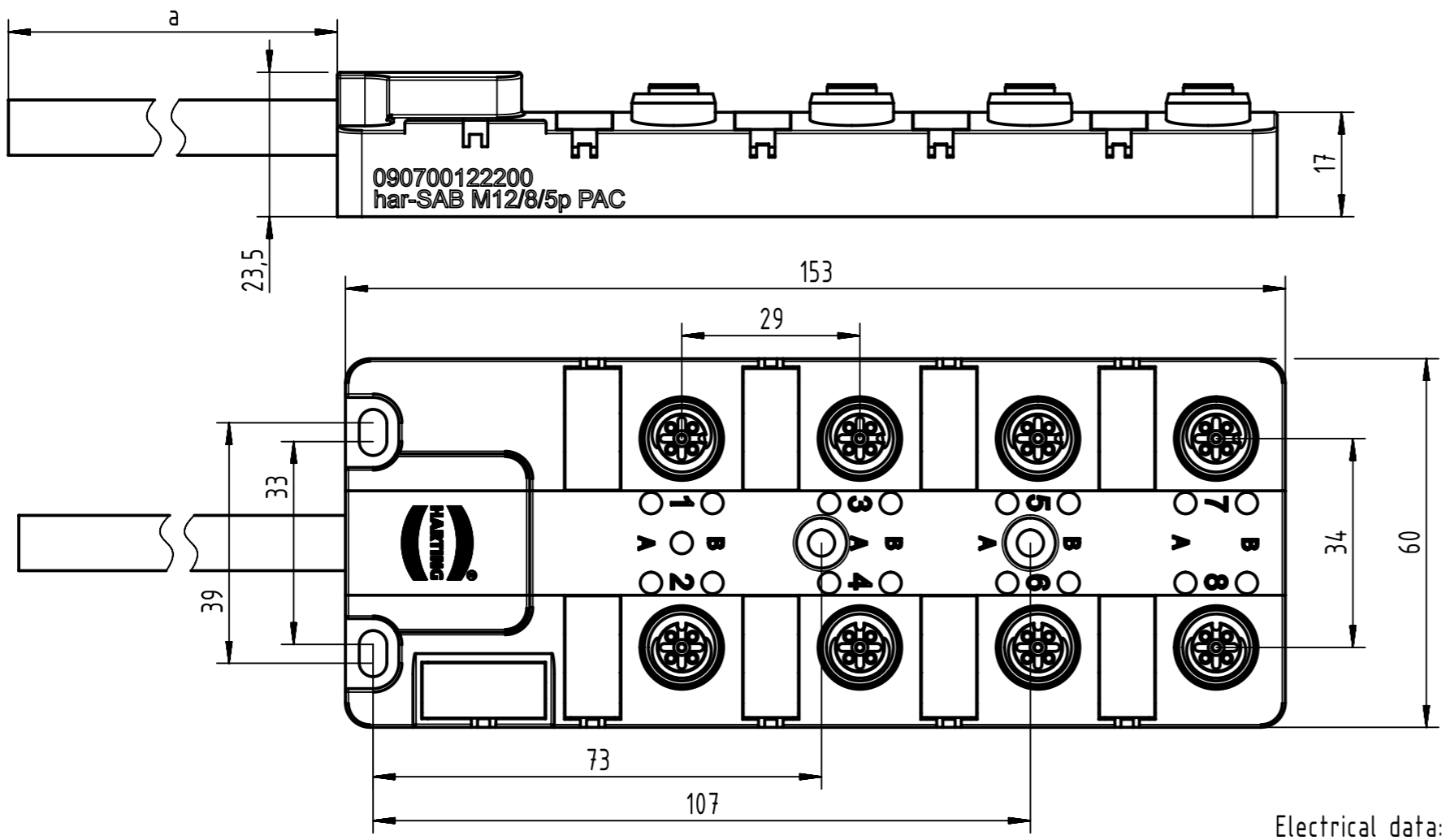
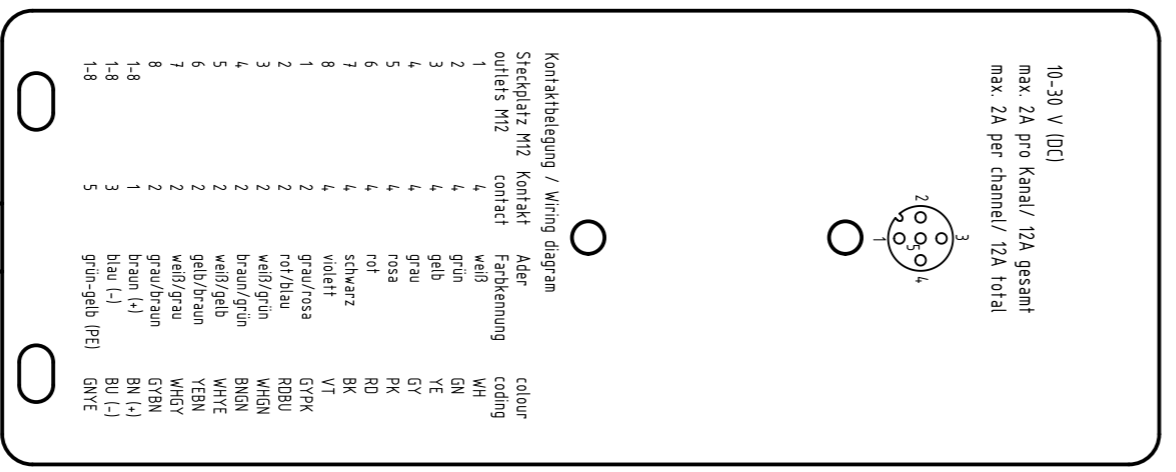


**Loading plan**



Electrical data:  
 -Rated voltage: 10-30V DC  
 -Nominal: 2 A per Contact  
 -Current: 4 A per Outlet  
 12 A max total



- Protection level: IP 68  
 - Temperature range: -20°C...+80°C

PUR, max. 16x0.34 + 3x1	10
Type of cable	Dim. a[m]

All rights reserved Department HCS - RO HARTING Customised Solutions D-32427 Minden	All Dimensions in mm Tech. Character. Free size tol. According to production drawing	Created by MUNTEANV	Inspected by POPESCU	Standardisation AVRAM	Date 2017-04-24	State Final Release
	Title har-SAB M12/8/5p PAC					Doc-Key / ECM-Nr. 100689654/UGD/000/E 500000118440
	Type TB	Number 090700122200	Rev. E	Page 1/1		

# Mouser Electronics

Authorized Distributor

Click to View Pricing, Inventory, Delivery & Lifecycle Information:

[HARTING:](#)

[090700122200](#)