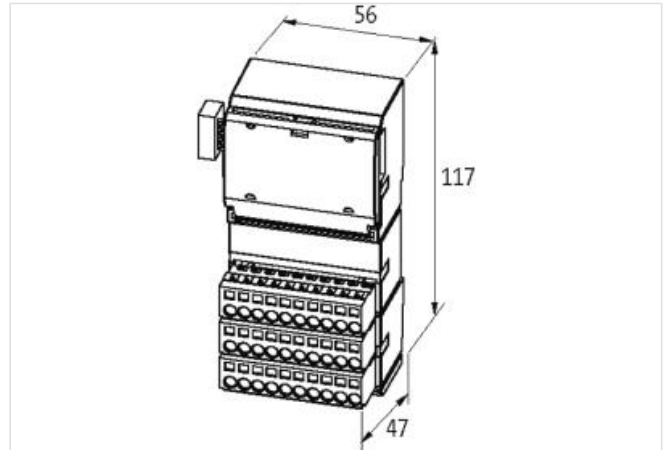


CUBE20 AI4 U/I

Expansion module
AI4 - (E) I
Voltage/current

[Link to Product](#)**Illustration**

Product may differ from Image

**General data**

Mounting method	DIN-rail mountable (EN 60715)
Temperature range	0...+55 °C (storage temperature -40...+85 °C)
Protection	IP20
Dimensions HxWxD	117x56x47 mm

Input

Connection	Differential voltage/current input
Accuracy	max. 0.3%
Conversion time (analog)	max. 2 ms (per channel)
Resolution (analog)	15 Bit + sign

Internal communication

Current consumption	max. 25 mA from system, max. 60 mA externally (UI)
Module supply	via system connection

Connections

Fieldbus	Ribbon cable connection
Sensor-system/actuator supply	4x spring clamp plug-in terminals, max. 2.5 mm ² (max. 12 A)
I/O ports	24x spring clamp plug-in terminals, max. 2.5 mm ²

Diagnostic

Communication status	via LED
Diagnostic via LED	per module
Diagnostic via BUS	per module and channel
Monitoring - under voltage	yes
Monitoring - no voltage	no

Wire break upper/lower limit overload	per channel via LED and BUS
Short-circuit and overload	yes

Commercial data

country of origin	CZ
customs tariff number	85176200
EAN	4048879049238
eClass	27242601
Packaging unit	1.000