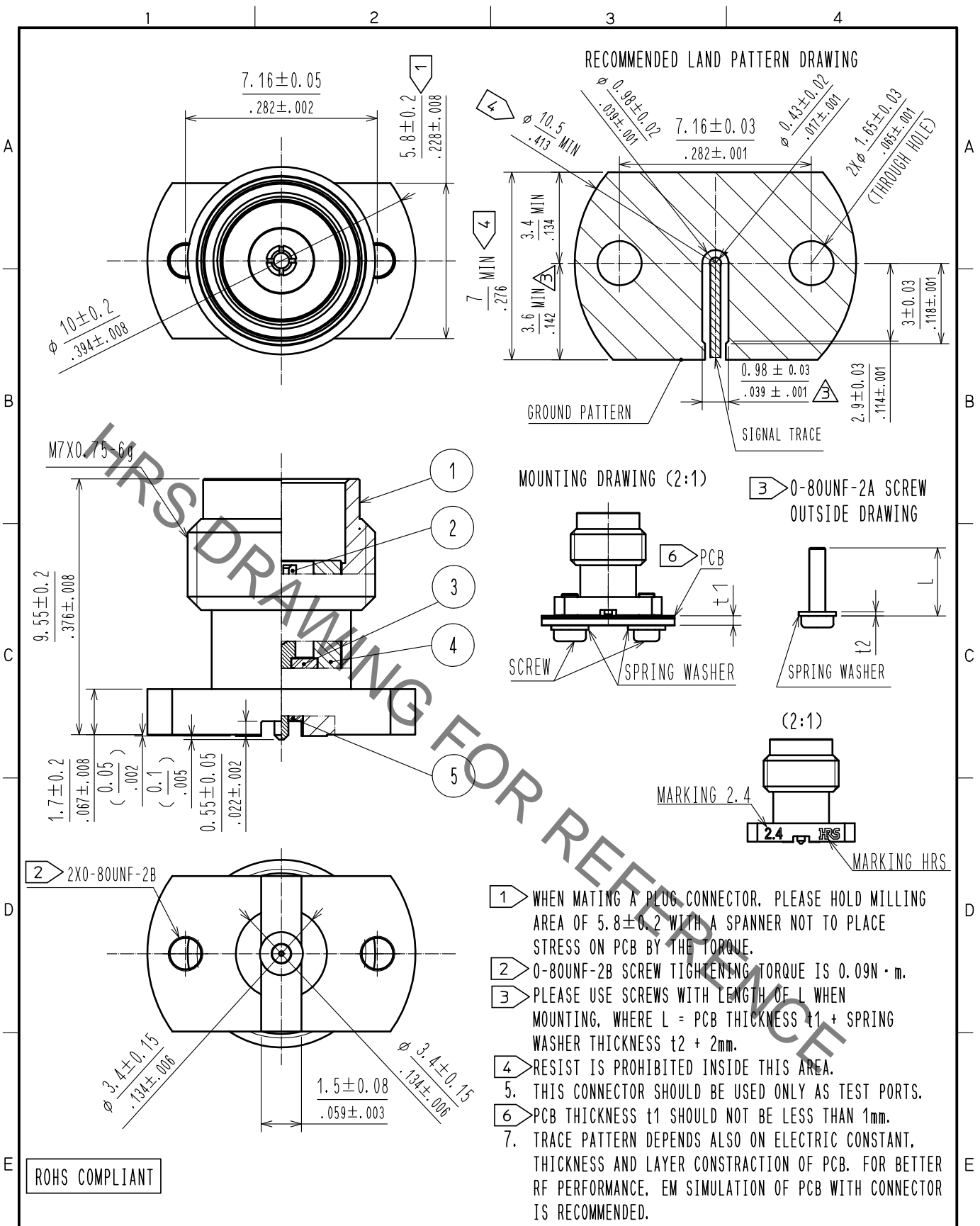


Sep.1.2021 Copyright 2021 HIROSE ELECTRIC CO., LTD. All Rights Reserved.  
In case of consideration for using Automotive equipment / device which demand high reliability, kindly contact our sales window correspondents.



3	PTFE			5	PEI		
2	BERYLLIUM COPPER	GOLD PLATING		4	STAINLESS STEEL	PASSIVATED	
1	STAINLESS STEEL	GOLD PLATING					
NO.	MATERIAL	FINISH	REMARKS	NO.	MATERIAL	FINISH	REMARKS

UNITS mm / inch		SCALE 5 : 1	COUNT 3	DESCRIPTION OF REVISIONS 2 DIS-D-00006614	DESIGNED MS. MATSUMOTO	CHECKED AH. MARUYAMA	DATE 20210218
HIROSE ELECTRIC CO., LTD. APPROVED : TS. NOBE 20180822 CHECKED : HA. NISHIMURA 20180822 DESIGNED : MH. OGUSU 20180822 DRAWN : MH. OGUSU 20180822				DRAWING NO. EDC-374263-00-00 PART NO. H2.4-R-SR2-S CODE NO. CL0338-0605-0-00			

# Mouser Electronics

Authorized Distributor

Click to View Pricing, Inventory, Delivery & Lifecycle Information:

[Hirose Electric:](#)

[H2.4-R-SR2-S](#)