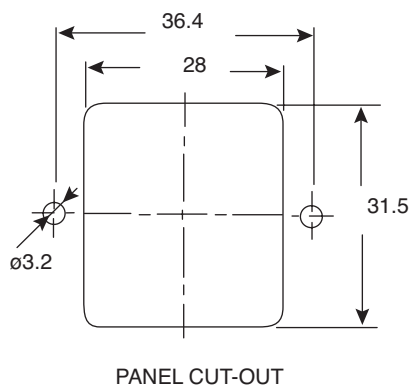
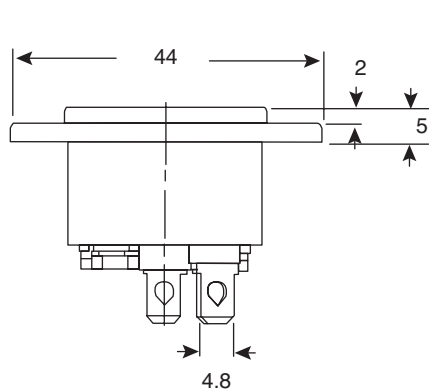
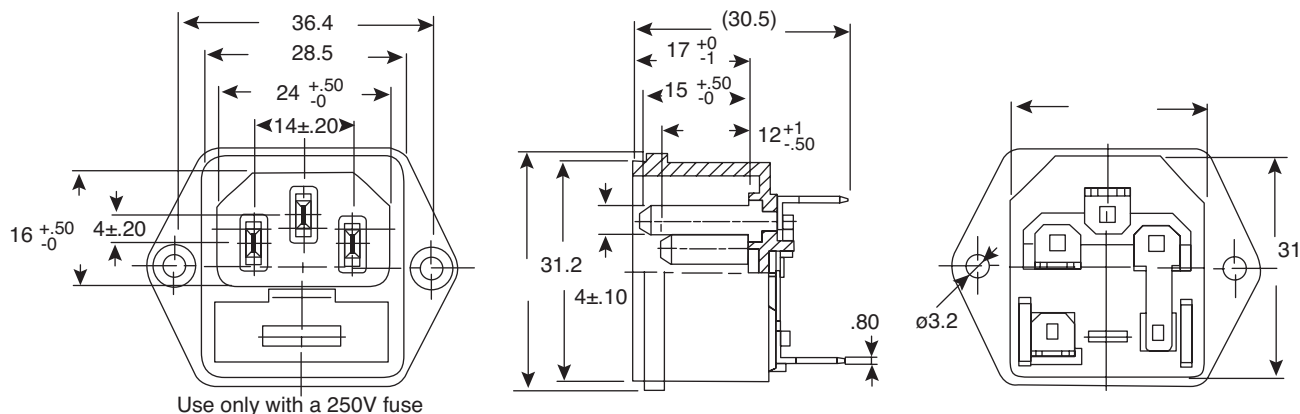


Inlet with 5x20mm Fuse Holders

161-R3015-E



Inlet with 5x20 Fuse Holders



Dimensions: mm

SPECIFICATIONS	
Rating:	10A, 250V
Insulation Resistance:	Over 100MW at 500V DC
Dielectric strength:	2000V AC 1 minute
Body Material:	Thermoplastic
Fuseholder:	Suitable for 5x20 fuse
RoHS Compliant	

Date Last Revised: 6/29/12

Available from Mouser Electronics
1-800-346-6873 / www.mouser.com

KC-301307

161-R3015-E

Mouser Electronics

Authorized Distributor

Click to View Pricing, Inventory, Delivery & Lifecycle Information:

[Kobiconn:](#)

[161-R3015-E](#)