

This document is the property of Amphenol Corporation and is delivered on the express condition that it is not to be disclosed, reproduced or used, in whole or in part, for manufacture or sale by anyone other than Amphenol Corporation without its prior consent, and that no right is granted to disclose or to use any information in this document.

The marking on this product doesn't contain environmental hazardous materials per Material Specification SS-00259 for Sony GP compliant or per directive 2011/65/EU for RoHS compliant.



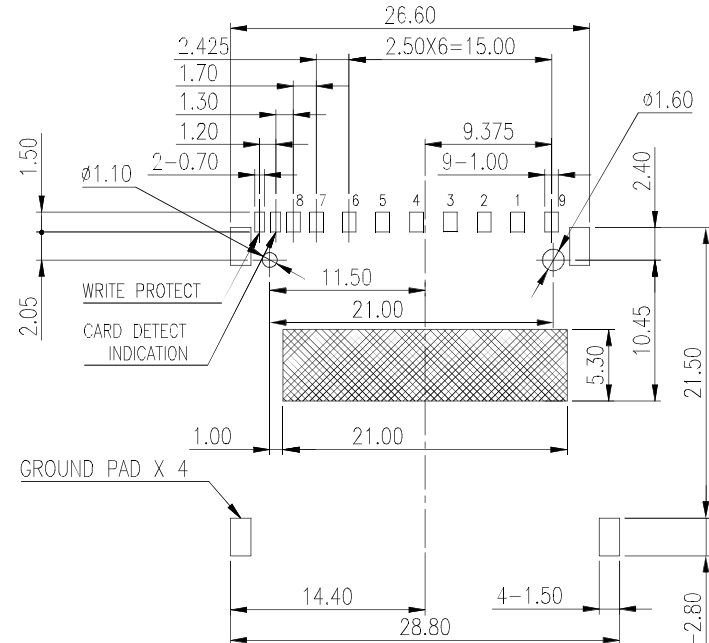
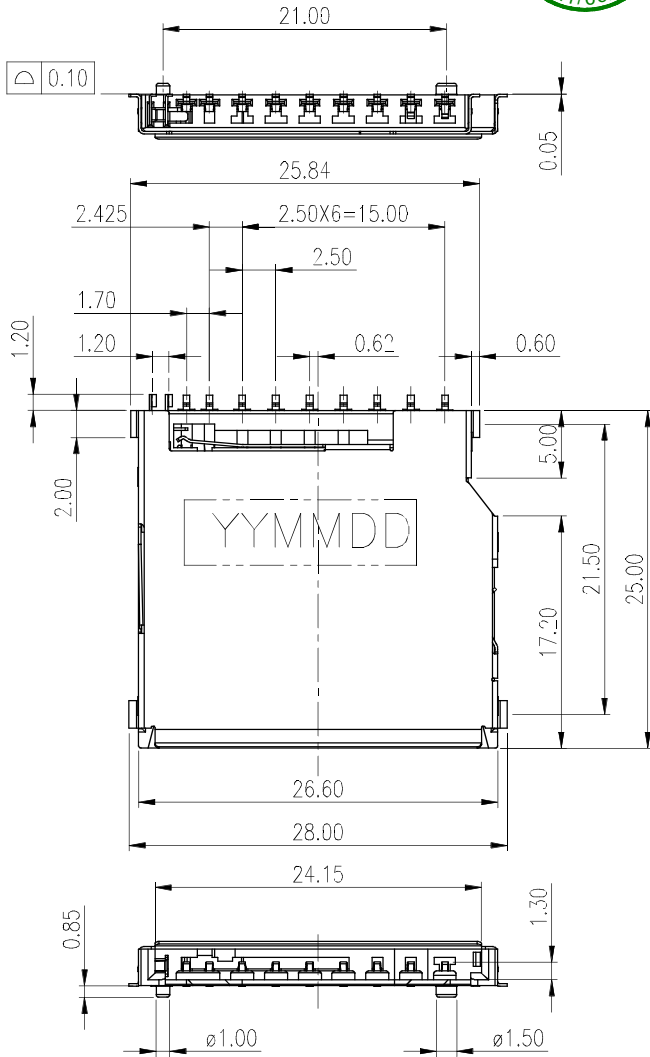
ORIGINAL



REVISIONS				
SYM	ECN No.	DESCRIPTION	DATE	APPROVED
A		NEW RELEASE	03/19/2008	Hank Hsu
B	NE-09125	ADD KEEP OUT AREA	07/20/2009	Roger Tsai
C	NE-11080	ADD PART NO. SYSTEM	06/08/2011	Roger Tsai
D	NE-12064	MODIFIED DRAWING	04/27/2012	Roger Tsai
E	NE-15015	MODIFIED SHELL OPENING	02/03/2015	Roger Tsai

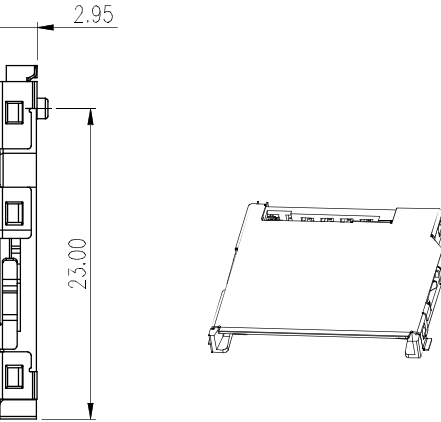
SD CARD

PIN#	NAME	DESCRIPTION
1	CD/DAT3	CARD DETECT/DATA LINE BITS
2	CMD	COMMAND/RESPONSE
3	VSS1	SUPPLY VOLTAGE GROUND
4	VDD1	SUPPLY VOLTAGE
5	CLK	CLOCK
6	VSS2	SUPPLY VOLTAGE GROUND
7	DAT0	DATA LINE BIT0
8	DAT1	DATA LINE BIT1
9	DAT2	DATA LINE BIT2



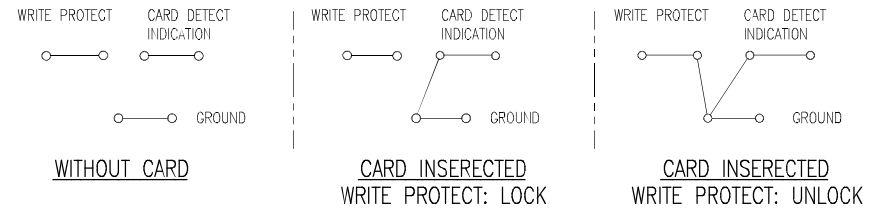
RECOMMENDED PCB LAYOUT
(ALL TOLERANCE ARE ±0.05)

- : RECOMMENDED SOLDER PAD AREA
- : TRACE KEEP OUT AREA



PART NO. GSD09001XSEU

CONTACT FINISH
 0: GOLD FLASH
 1: 5 μ" GOLD
 2: 15 μ" GOLD
 3: 30 μ" GOLD



SCHEMATIC

NOTES:

- INSULATOR: LCP, UL 94V-0, COLOR- IVORY.
- CONTACT: PHOSPHOR BRONZE, 0.15 MM THICKNESS, SELECTED GOLD PLATING ON CONTACT AREA, 100u" TIN PLATING ON SOLDERING TAIL.
- COVER: STEEL.
- THIS PRODUCT DOESN'T CONTAIN ENVIRONMENTAL HAZARDOUS MATERIAL PER DIRECTIVE 2011/65/EU FOR RoHS.

TOLERANCE	APPROVALS	DATE	TITLE		PART No.	
X. X.X ±0.30 X.XX ±0.20 X.XXX ±0.10	DRAWN Aqua Chou	02/03/2015	GSD SERIES SD CARD CONNECTOR SMT TYPE, 9 POSITIONS		Amphenol® Amphenol Corporation Amphenol Taiwan Corporation	
ANGULAR ±1°	CHECKED Roger Tsai	02/03/2015	UNIT mm SCALE NA		SIZE A3 SHEET 1 OF 2	PART No. GSD09001XSEU
UNLESS OTHERWISE SPECIFIED	DWG TYPE CUST DWG	PROJECT CODE OTHER	DWG No. GSD09001XSEU		REV. E	

This document is the property of Amphenol Corporation and is delivered on the express condition that it is not to be disclosed, reproduced or used, in whole or in part, for manufacture or sale by anyone other than Amphenol Corporation without its prior consent, and that no right is granted to disclose or to use any information in this document.

The marking on this product doesn't contain environmental hazardous materials per Material Specification SS-00259 for Sony GP compliant or per directive 2011/65/EU for RoHS compliant.



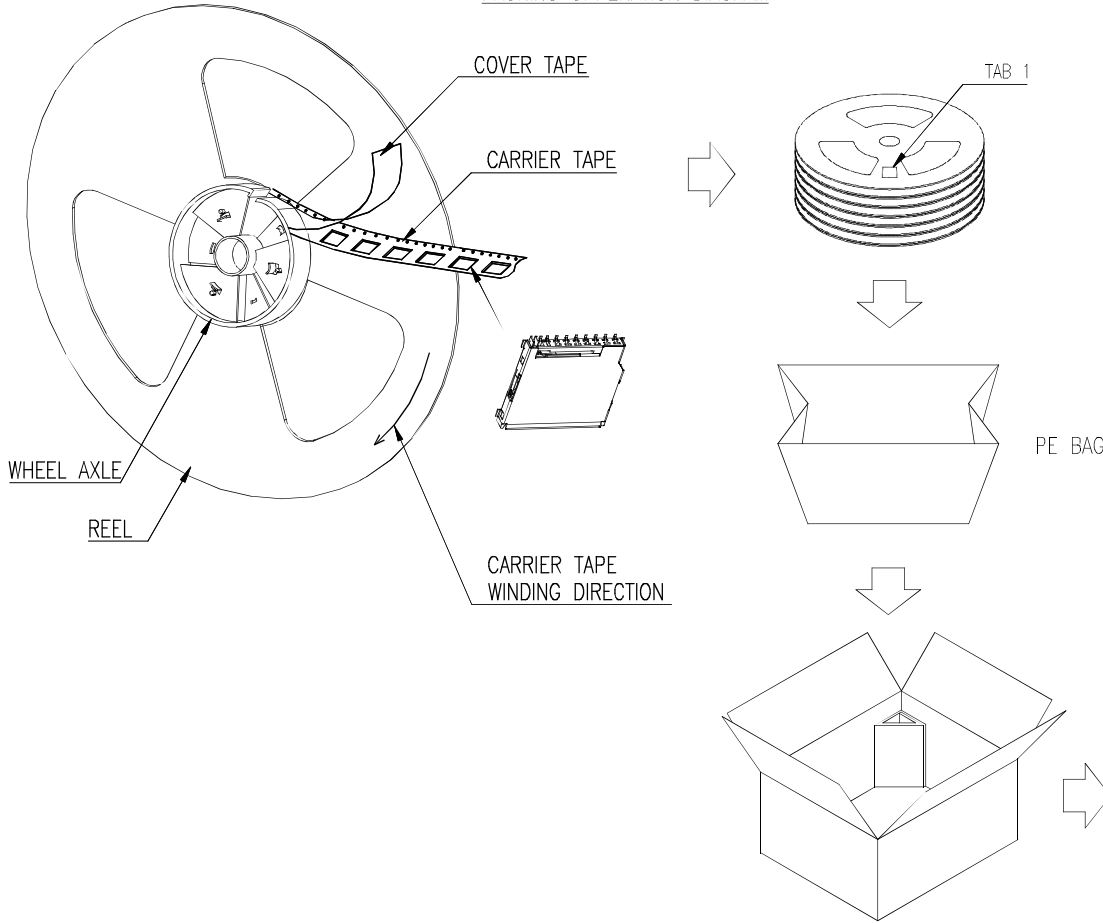
ORIGINAL



REVISIONS

SYM	ECN No.	DESCRIPTION	DATE	APPROVED
A		NEW RELEASE	03/19/2008	Hank Hsu
B	NE-09125	ADD KEEP OUT AREA	07/20/2009	Roger Tsai
C	NE-11080	ADD PART NO. SYSTEM	06/08/2011	Roger Tsai
D	NE-12064	MODIFIED DRAWING	04/27/2012	Roger Tsai
E	NE-15015	MODIFIED SHELL OPENING	02/03/2015	Roger Tsai

PACKING OPERATION DIAGRAM



P/N(IP) : GSD09001XSEU	RoHS
GSD09001XSEU	
QTY(Q) : 350	RoHS
350	
P/O(K) : 411-012345-001	RoHS
411-012345-001	
DATE : MM/DD/YYYY	RoHS
G.W. : X.XX KG	
Amphenol Taiwan Corporation	

TAB1: REEL LABEL
(CONTENT BY ACTUAL)

P/N(IP) : GSD09001XSEU	RoHS
GSD09001XSEU	
QTY(Q) : 2100	RoHS
2100	
P/O(K) : 411-012345-001	RoHS
411-012345-001	
DATE : MM/DD/YYYY	RoHS
G.W. : X.XX KG	
Amphenol Taiwan Corporation	

TAB2: CARTON LABEL
(CONTENT BY ACTUAL)

NOTES:

- MATERIAL: BLACK ANTI-STATIC POLYSTYRENE.
- QUANTITY:
350 PCS/15" REEL
6 REELS/CARTON
2100 PCS/CARTON
- CARTON MUST BE SEALED IN PAPER-TAPE.
- IF ODD, MUST CLOG UP THE CARTON IN BUFFER MATERIALS.

TOLERANCE	APPROVALS	DATE	TITLE			Amphenol [®]		
X.	DRAWN		GSD SERIES SD CARD CONNECTOR SMT TYPE, 9 POSITIONS			Amphenol Corporation Amphenol Taiwan Corporation		
X.X	Aqua Chou	02/03/2015						
X.XX	CHECKED		GSD SERIES SD CARD CONNECTOR SMT TYPE, 9 POSITIONS			Amphenol Corporation Amphenol Taiwan Corporation		
X.XXX	Roger Tsai	02/03/2015						
ANGULAR ±1°	APPROVED		GSD SERIES SD CARD CONNECTOR SMT TYPE, 9 POSITIONS			Amphenol Corporation Amphenol Taiwan Corporation		
UNLESS OTHERWISE SPECIFIED	Roger Tsai	02/03/2015						
	DWG TYPE	PROJECT CODE	UNIT mm			SIZE A3	PART No. GSD09001XSEU	
	CUST DWG	OTHER	SCALE NA			SHEET 2 OF 2	DWG No. GSD09001XSEU	
							REV. E	

Mouser Electronics

Authorized Distributor

Click to View Pricing, Inventory, Delivery & Lifecycle Information:

[Amphenol:](#)

[GSD090012SEU](#)