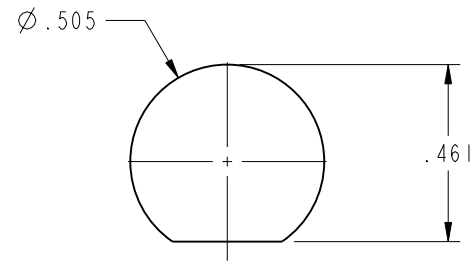


NOTES:

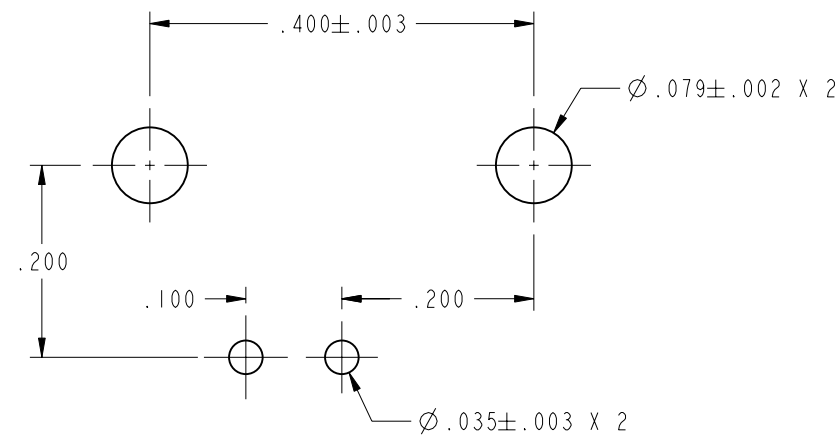
1. MATERIALS AND FINISHES:
 - BODY - ZINC DIE CAST, NICKEL PLATED [.000150 MIN THICK]
 - CONTACT - PHOSPHOR BRONZE, GOLD PLATED [.000003 MIN THICK], OVER TIN PLATING [.000100 MIN THICK], OVER NICKEL PLATING .000050 MIN THICK] GOLD PLATING AT CONTACT AREA, AND TIN OVER NICKEL PLATING OVER ALL
 - INSULATOR - POLYPROPYLENE, UL94V-0
 - GROUND TERMINAL- COPPER WIRE, TIN PLATED [.000100 MIN THICK]
 - LEGS - BRASS, TIN PLATED [.000100 MIN THICK]

2. ELECTRICAL:
 - A. IMPEDANCE: 50 OHM

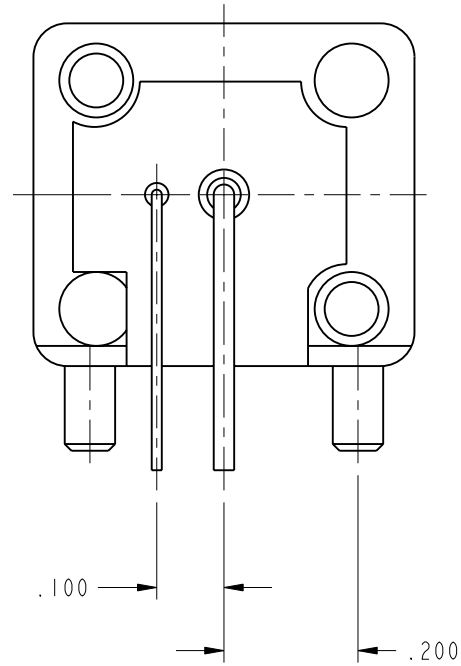
4. PACKAGING:
 - A. QUANTITY: BULK PACK OF 50 PER TRAY
 - B. MARKING: BAG TO BE MARKED "AMPHENOL, 31-5637, AND DATE CODE"



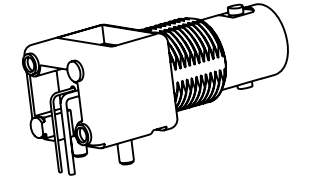
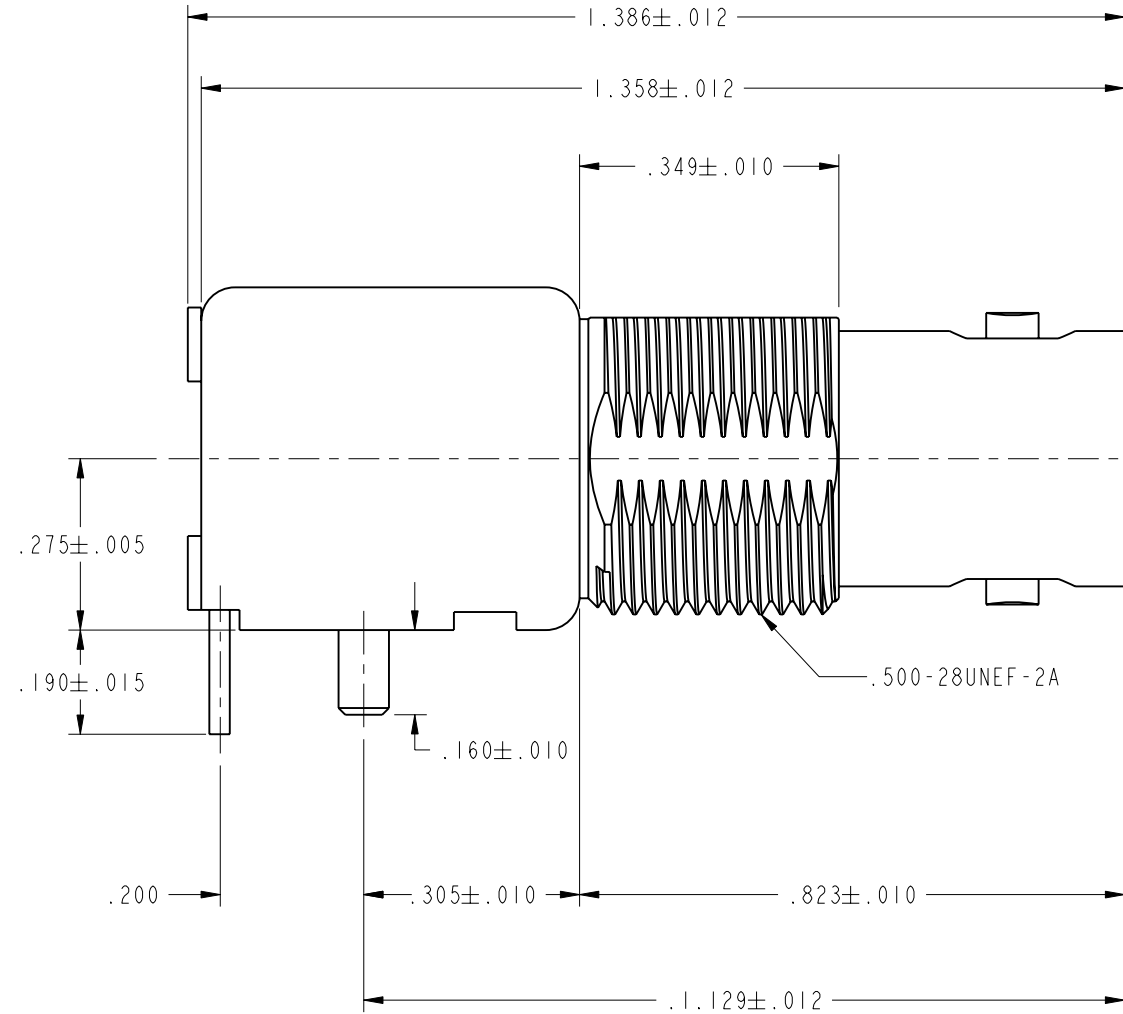
PANEL CUTOUT
SCALE 2.000



RECOMMENDED PCB LAYOUT
SCALE 5.000



31-5637		REVISIONS			
DRAWING NO.	REV	DESCRIPTION	DATE	ECO	APPR
THIRD ANGLE PROJ.	A	RELEASE TO MFG.	1/20/93	39301	JM
	B	SEE SHEET 1	3/07/05	45399	CPM
	C	SEE SHEET 1	2/05/08	46944	CPM
	D	SEE SHEET 1	7/15/08	47082	VC
	E	SEE SHEET 1	10/7/08	46939	CPM



SCALE 1.000

CUSTOMER OUTLINE DRAWING
ALL OTHER SHEETS ARE FOR INTERNAL USE ONLY

UNLESS OTHERWISE SPECIFIED, DIMENSIONS ARE IN INCHES AND TOLERANCES ARE: 2 PLACE DECIMAL ±.015 (0,381 mm) 3 PLACE DECIMAL ±.005 (0,127 mm) ANGLES ± 1°	MATERIAL	DRAWN VIVEK.C	DATE 14-May-08	TITLE 50 OHMS BNC JACK R/A, PCB, MT, ZINC DIE CAST HOUSING		Amphenol RF Danbury, CT, USA Tainan, Taiwan Shenzhen, China www.amphenolrf.com	
	REFERENCE EAR #2272	ENGINEER VIVEK.C	DATE 14-May-08				
NOTICE - These drawings, specifications, or other data (1) are, and remain the property of Amphenol Corp. (2) must be returned upon request; and (3) are confidential and not to be disclosed to any person other than those to whom they are given by Amphenol Corp. The furnishing of these drawings, specifications, or other data by Amphenol Corp., or to any other person to anyone for any purpose is not to be regarded by implication or otherwise in any manner licensing, granting rights or permitting such holder or any other person to manufacture, use or sell any product, process or design, patented or otherwise, that may in any way be related to or disclosed by said drawings, specifications, or other data.	APPROVED K. CAPOZZI	DATE 7/15/08	CODE ID 74868	DWG SIZE B	DRAWING NO. 31-5637	SCALE: 3.5:1	SHEET 2 OF 2
	CAD FILE I:\BNC\31-5637						

Mouser Electronics

Authorized Distributor

Click to View Pricing, Inventory, Delivery & Lifecycle Information:

[Amphenol:](#)

[031-5637](#)