

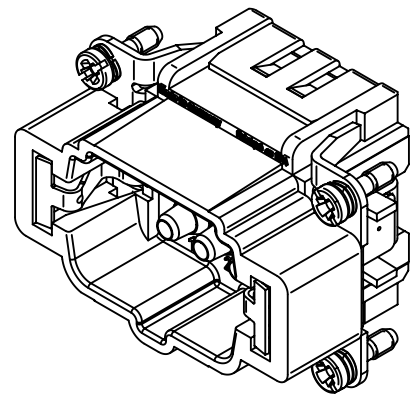
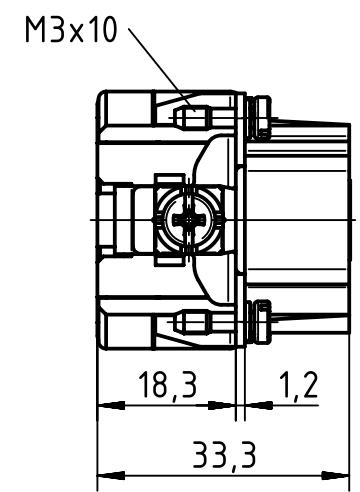
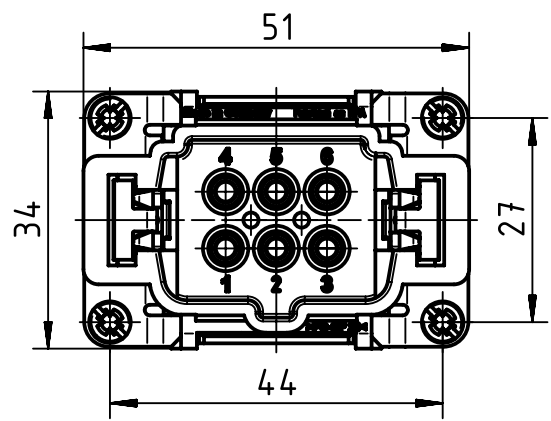
1 2 3 4 5 6

A

B

C

D



	All Dimensions in mm Original Size DIN A4		Scale 1:1	Free size tol.		Ref.	
						Sub.	
	All rights reserved Department EL PD - DE		Created by FINKEV	Inspected by SCHMIDTM	Standardisation TIEMANNA	Date 2013-05-17	State Final Release
	HARTING Electric GmbH & Co. KG D-32339 Espelkamp		Title Han 6E HMC-M-c			Doc-Key / ECM-Nr. 100527285/UGD/002/A 500000062216	
			Type TB	Number 09 33 206 2602		Rev. A	Page 1/1

# Mouser Electronics

Authorized Distributor

Click to View Pricing, Inventory, Delivery & Lifecycle Information:

[HARTING:](#)

[09332062602](#)