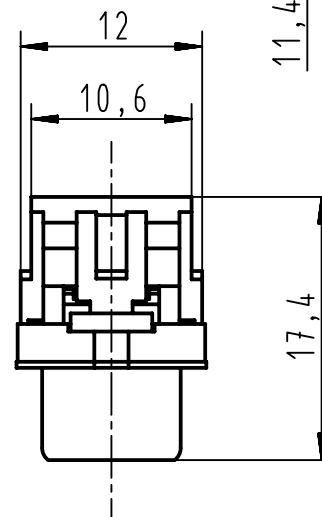
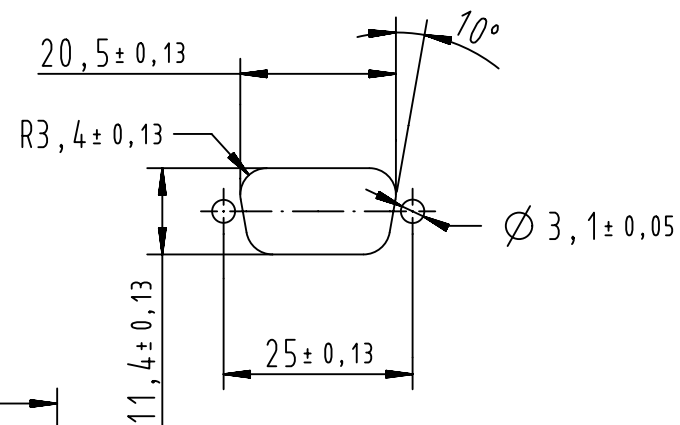


Recommended panel cutout dimensions
for rear mounting
According to CECC 75 301-802



After cover closing

09661287702			PL3	4-40UNC	All Dimensions in mm Original Size DIN A4	Scale 2:1	Free size tol.		Ref.	
09661286702			PL2	4-40UNC		All rights reserved Department EC PD - FR	Created by DOUGE	Inspected by BAGDIKIAN	Standardisation HOFFMANN	Date 2013-04-23
09661287701			PL3	M3	HARTING Electronics GmbH D-32339 Espelkamp		Title D-Sub IDC 9P male straight			Doc-Key / ECM-Nr. 100527181/UGD/001/A 5300000858839
09661286701			PL2	M3		Type TB	Number 0966128X70X		Rev. A	Page 1/1
Part number			Performance level	Nut thread						

Mouser Electronics

Authorized Distributor

Click to View Pricing, Inventory, Delivery & Lifecycle Information:

[HARTING:](#)

[09661287701](#) [09661287702](#) [09661286702](#) [09661286701](#)