

5

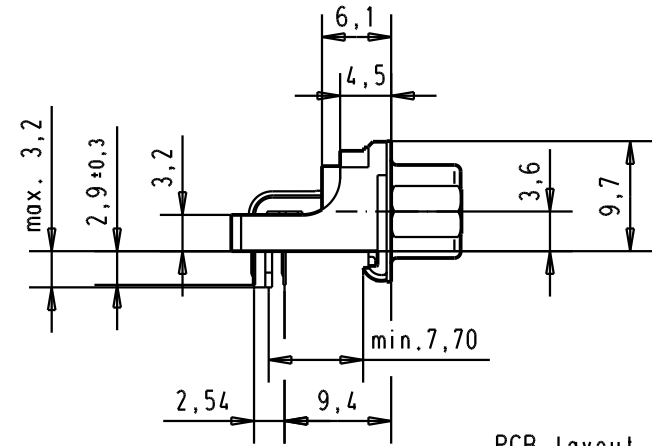
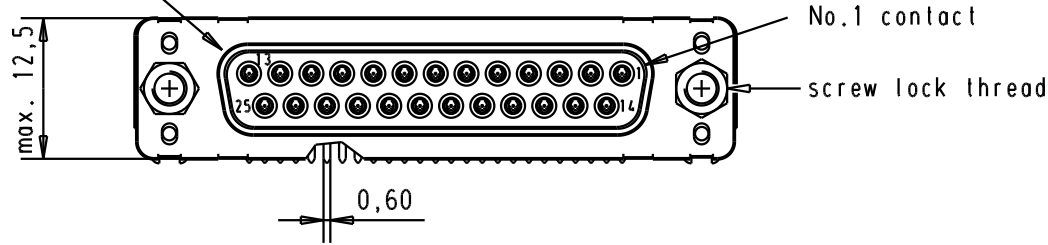
4

3

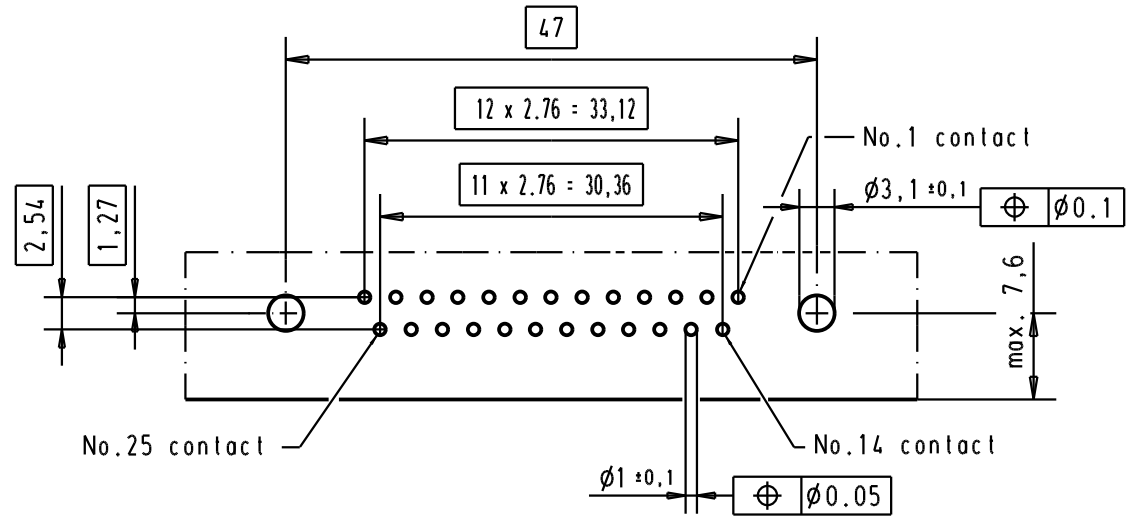
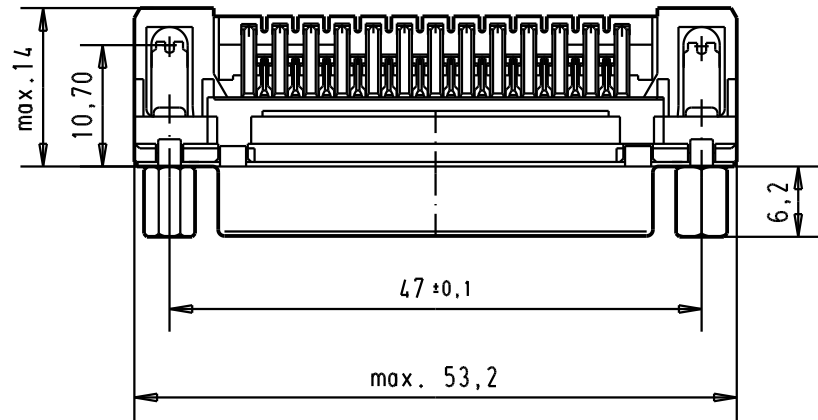
2

1

Mating face according to : MIL-C-24308 / DIN 41652 / CECC 75301-802




PCB layout hole component side



Connector retention and insertion forces on the PCB = 25 / 80 newtons

A

Part number	Screw lock thread	Performance level	Mod.	Dat.	Name	Dat.	Name		D-Sub 25 poles low profil angle female, solder pin with screw lock and grounding board lock. All Dim. in mm Orig. Size DIN A 4	Maßstab/ Scale 1.5:1	
			31892	05/05/04	JH	Detail.	02/sept/00				jfb
			31084	04/SEP/02	YT	Insp.					
09 66 352 3617	4-40 UNC	1	27961	24/nov/00	jfb	Stand.					
09 66 352 6617	4-40 UNC	2	27952	26/oct/00	jfb						
09 66 352 7617	4-40 UNC	3	27948	02/sept/00	jfb						
HARTING EURL F-95972 Paris									TB 0966352x61x	Blatt/ Page 3 / 5	



TB 0966352x61x

Blatt/ Page  
3 / 5

# Mouser Electronics

Authorized Distributor

Click to View Pricing, Inventory, Delivery & Lifecycle Information:

[HARTING:](#)

[09663526617](#) [09663527617](#)