

5

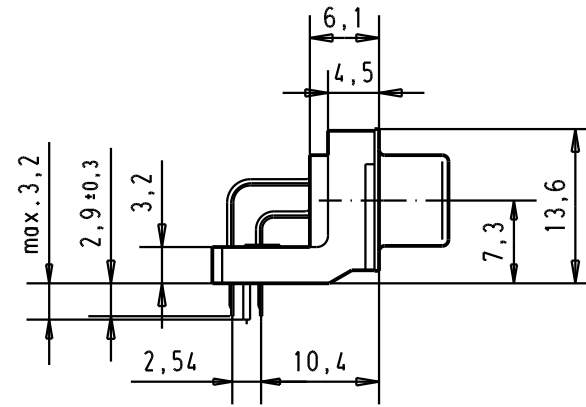
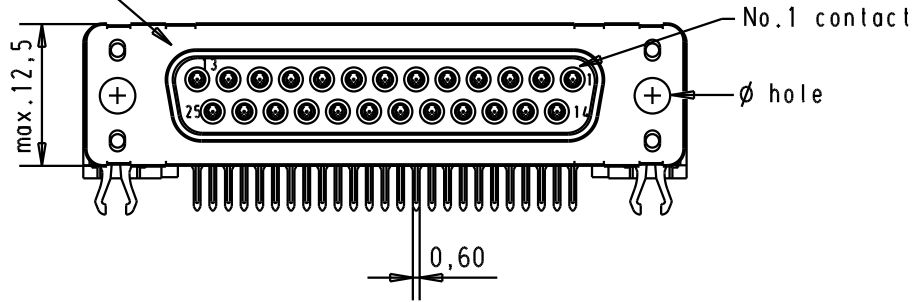
4

3

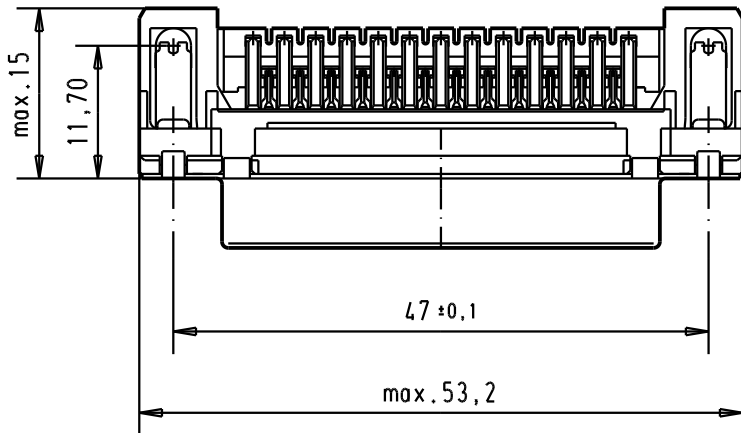
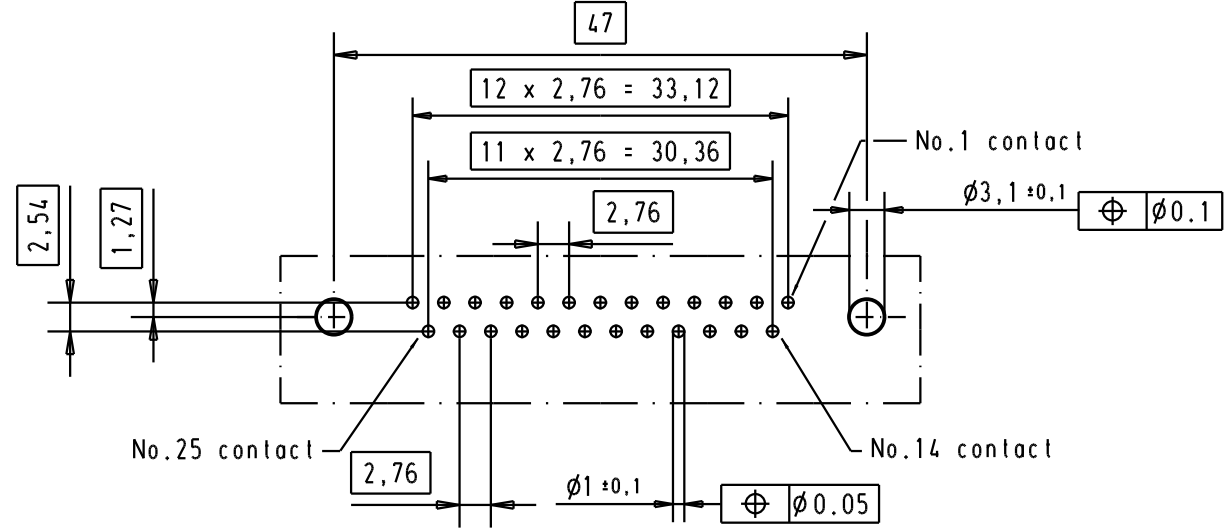
2

1

Mating face according to : MIL-C-24308 / DIN 41652 / CECC 75301-802





Printed board layout component side



Connector retention and insertion forces on the PCB = 25 / 80 newtons

A

						Det.	Name	 All Dim. in mm Orig. Size DIN A 4	D-Sub, High temperature, female, standard, 25 poles with solder pins 2,9mm, holes and grounding board lock	Moßstab/ Scale	
						Detail.	05/03/02			CV	1.5:1
						Insp.					
						Stand.					
09 66 356 3610	3,1 ± 0,1	1									
09 66 356 6610	3,1 ± 0,1	2	31892	05/05/04	JH	HARTING EURL F-95972 Paris					
09 66 356 7610	3,1 ± 0,1	3	29723	05/03/02	CV						
Part number	ø hole	Performance level	Mod.	Det.	Name	 TB 0966356x61x Sub.			Blatt/ Page 2		

Mouser Electronics

Authorized Distributor

Click to View Pricing, Inventory, Delivery & Lifecycle Information:

[HARTING:](#)

[09663566610](#)