

1 2 3 4 5 6 7 8

A

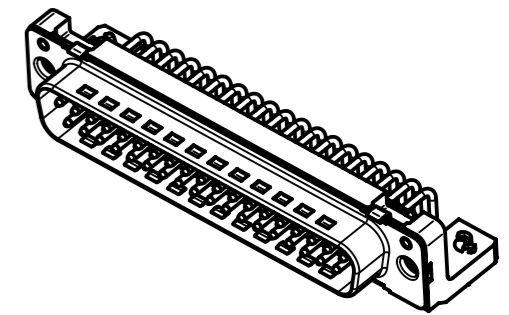
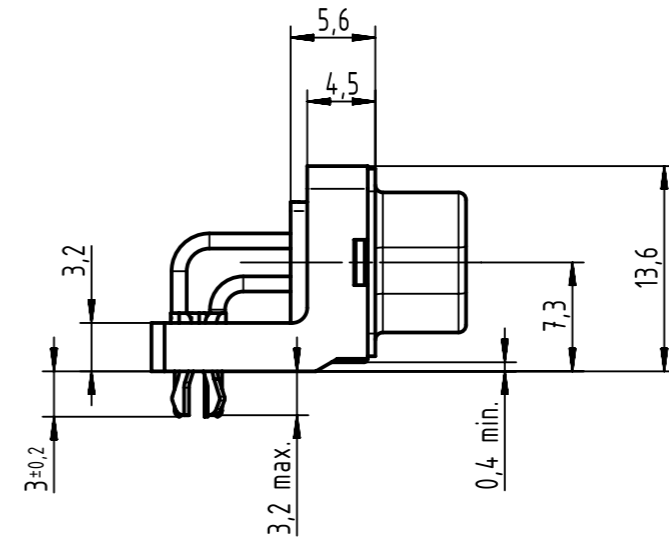
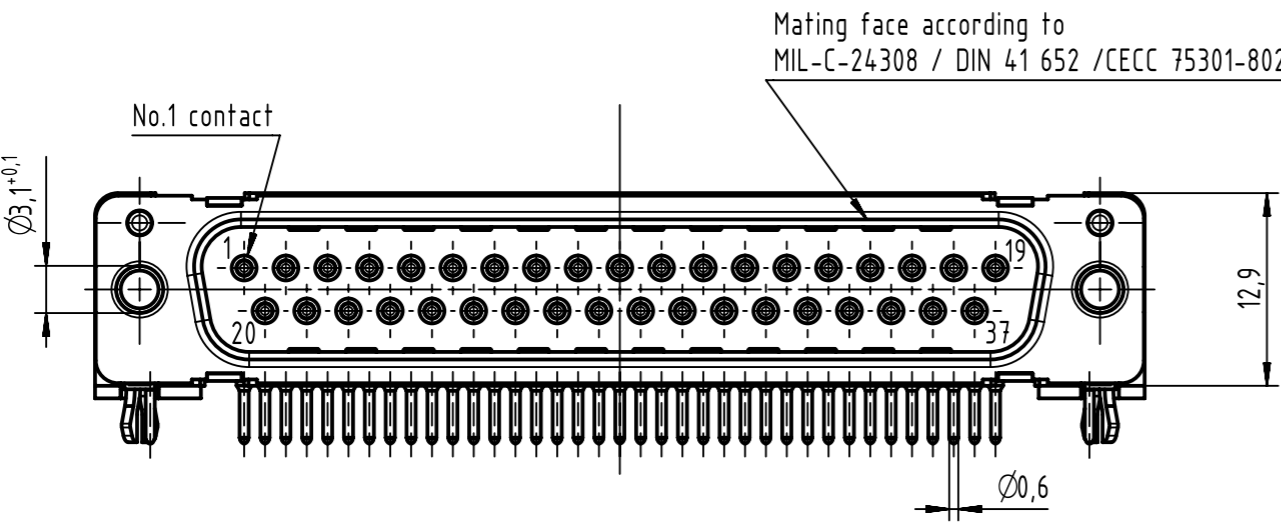
B

C

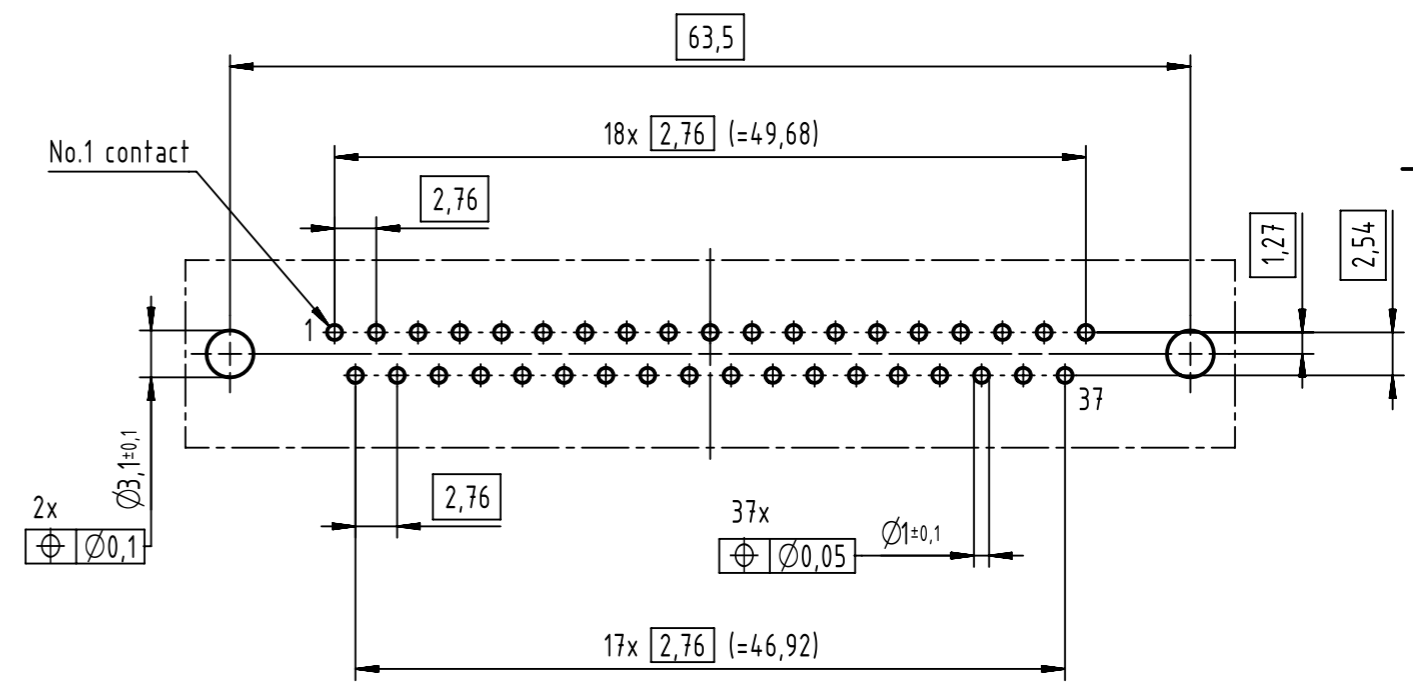
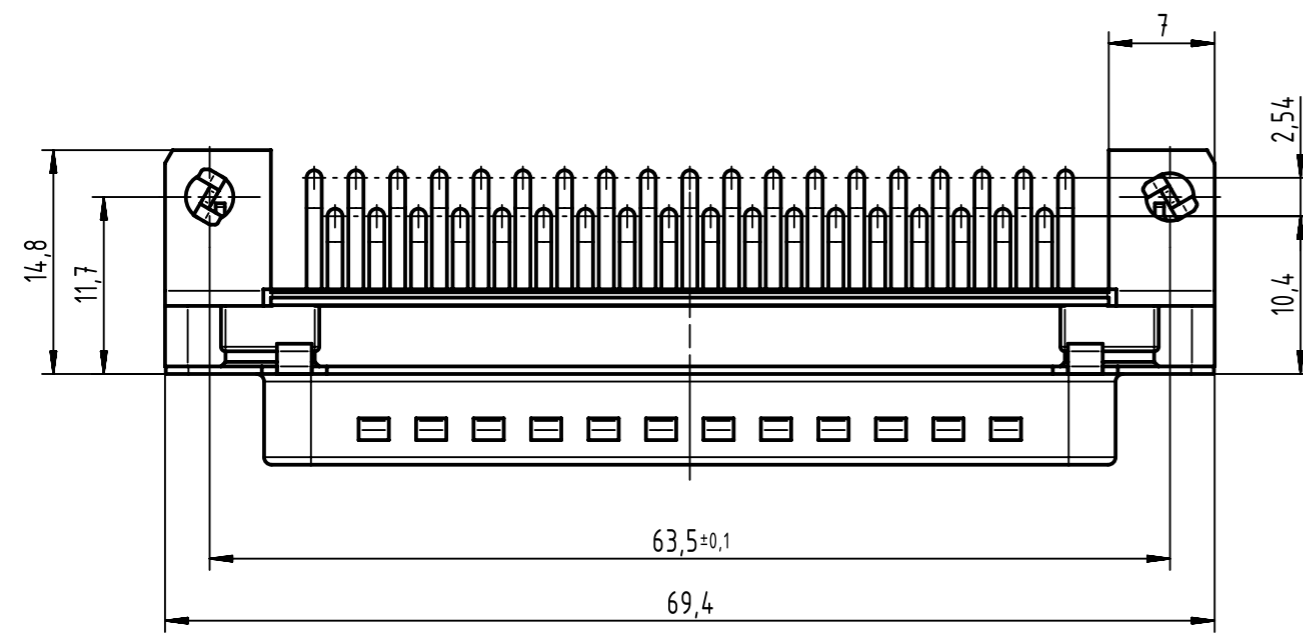
D

E

F



Printed board layout (1,6±0,2 thick)
view component side
(PCB plating =Tin)



Mounting force on Printed board: 25-80 N

Part number	performance level	nut thread
0966 462 7811	AU3	M3
0966 462 7812	AU3	4-40 UNC
0966 462 6811	AU2	M3
0966 462 6812	AU2	4-40 UNC
0966 462 5811	0,76µm AU	M3
0966 462 5812	0,76µm AU	4-40 UNC

	All Dimensions in mm Original Size DIN A3	Scale 2:1	Free size tol.		Ref.
	All rights reserved Department EC PD - CN	Created by ZHUANGJ	Inspected by LUOK	Standardisation HOFFMANN	Date 2015-10-27
HARTING Electronics GmbH D-32339 Espelkamp	Title D-Sub standard 37-pole male 2,54mm pitch assembly				Doc-Key / ECM-Nr. 100634774/UGD/000/A 50000095926
	Type TB	Number 0966462X81Y		Rev. A	Page 1/1

1 2 3 4 5 6 7 8

A

B

C

D

E

F

Mouser Electronics

Authorized Distributor

Click to View Pricing, Inventory, Delivery & Lifecycle Information:

[HARTING:](#)

[09664626811](#) [09664627811](#) [09664627812](#) [09664626812](#)