

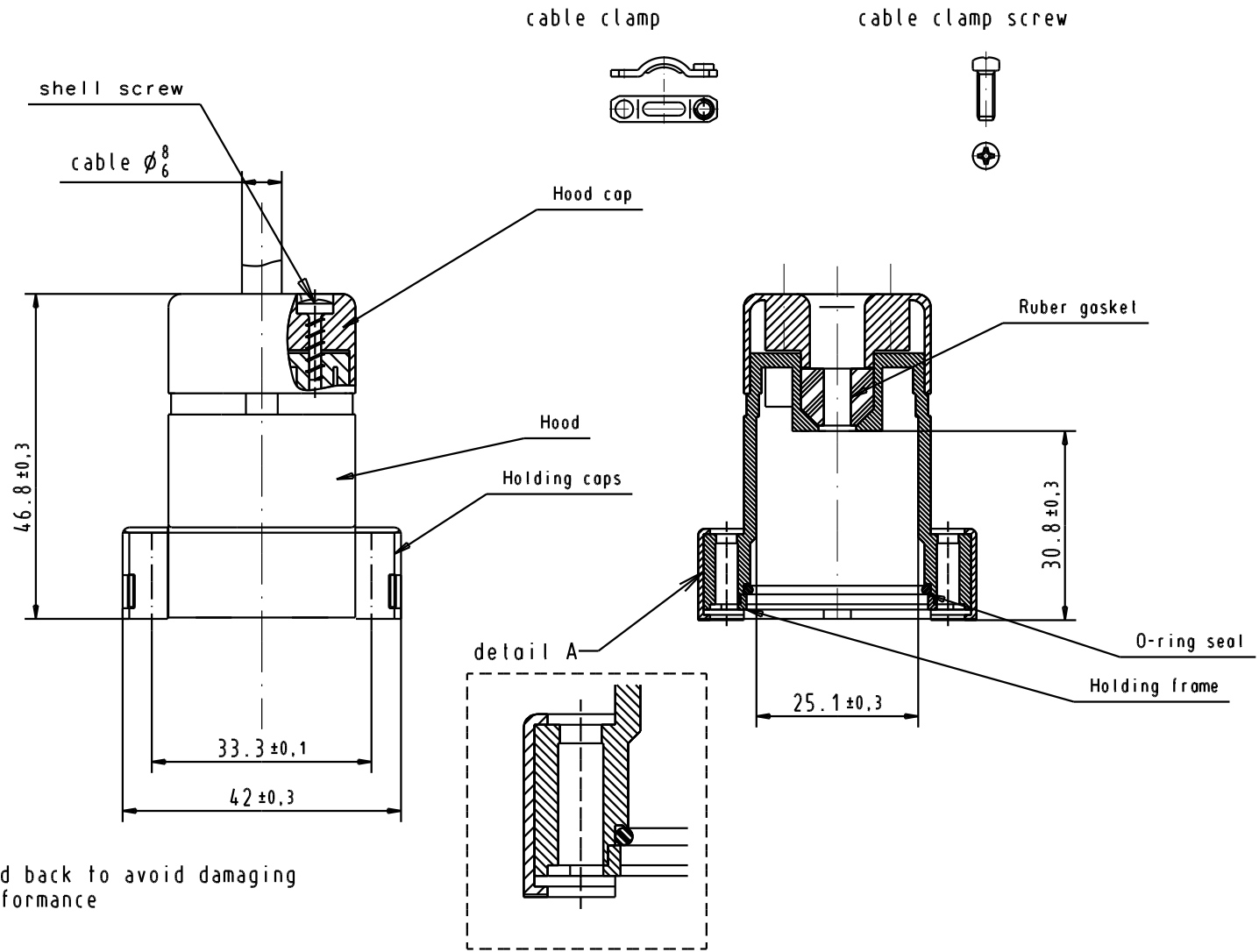
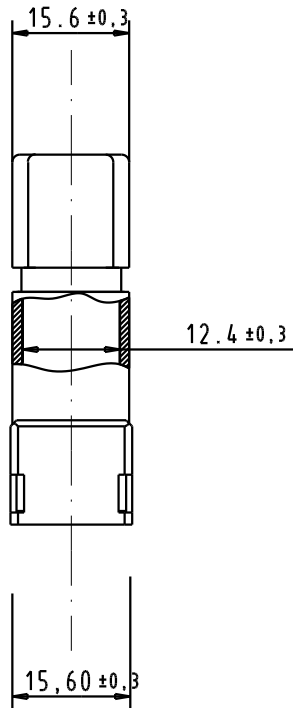
5

4

3

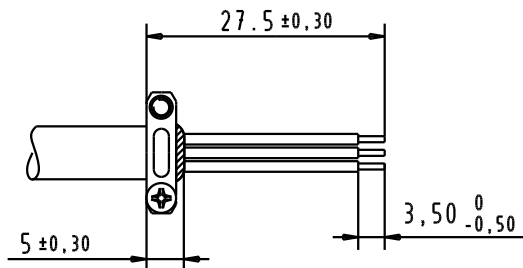
2



1



Mounting instructions

The stripped braid should not be fold back to avoid damaging the cable clamp and reducing its performance



				Dat.	Name	 All Dim. in mm Orig. Size DIN A 4	D-SUB IP67 15 Poles black plastic hood	Maßstab/ Scale
			Detail.	07/01/04	S.H.			1/1
			Insp.					
			Stand.					
31587	07/01/04	S.H.	HARTING ELEKTRONIK F-95972 Paris				TB 09 67 015 0436	Blatt/ Page
Mod.	Dat.	Name						Sub.

Mouser Electronics

Authorized Distributor

Click to View Pricing, Inventory, Delivery & Lifecycle Information:

[HARTING:](#)

[09670150436](#)