

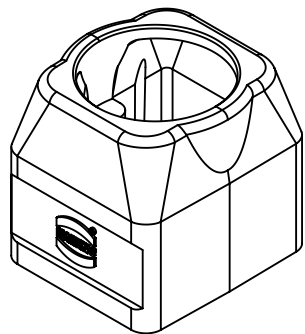
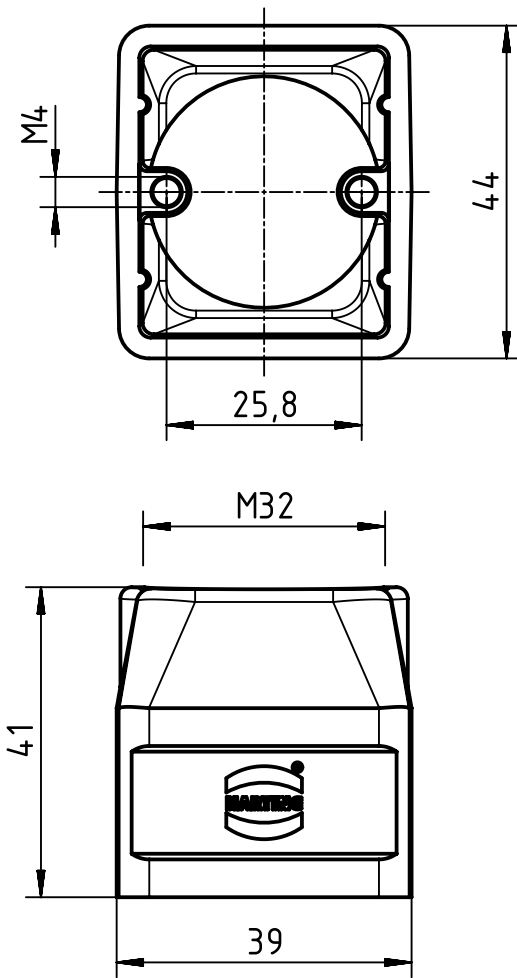
1 2 3 4 5 6


A

B

C

D



	All Dimensions in mm Original Size DIN A4		Scale 1:1	Free size tol.		Ref. Sub. TB 1914-0020402 v. 16.02.09		
	All rights reserved Department EL PD - DE		Created by ILJIN	Inspected by FERDERERA	Standardisation TIEMANNA	Date 2014-01-31	State Final Release	
HARTING Electric GmbH & Co. KG D-32339 Espelkamp			Title Han-Modular Twin hood top entry M32				Doc-Key / ECM-Nr. 100560258/UGD/001/A 500000071168	
			Type TB	Number 19 14 002 0402			Rev. A	Page 1/1

Mouser Electronics

Authorized Distributor

Click to View Pricing, Inventory, Delivery & Lifecycle Information:

[HARTING:](#)

[19140020402](#)