

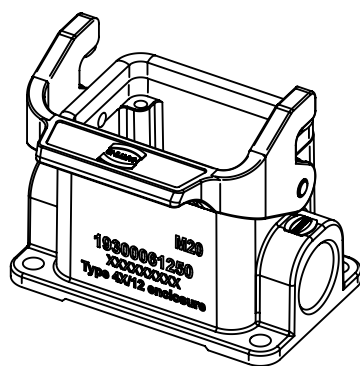
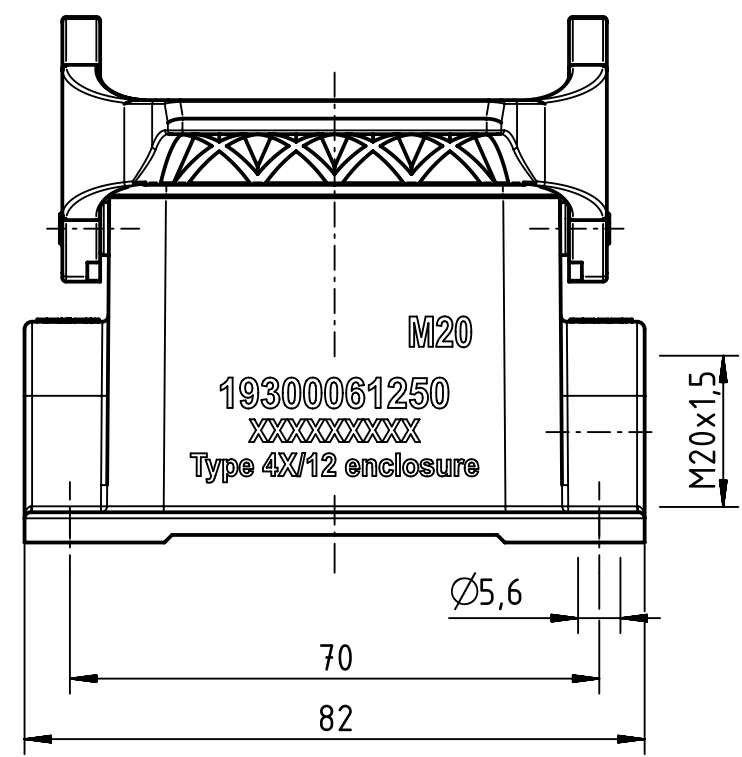
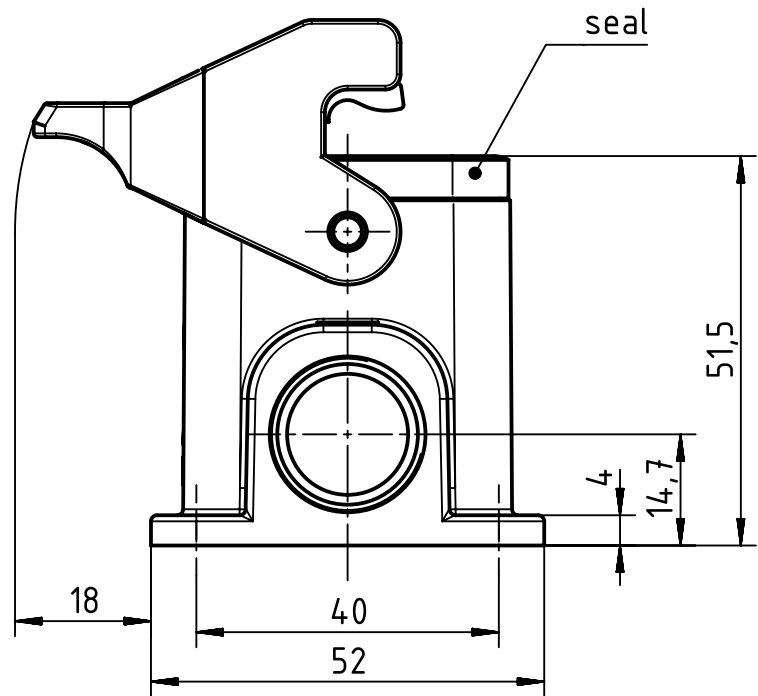
1 2 3 4 5 6

A

B

C

D



	All Dimensions in mm Original Size DIN A4		Scale 1:1	Free size tol.		Ref. Sub. TB 19 30 006 1250 v. 15.11.00	
		All rights reserved	Created by RULLKOETTER	Inspected by BERGHORN	Standardisation TIEMANNA	Date 2016-09-14	State Final Release
Department EL PD		Title Han 6 B-Base Surface-LC 1 Lever 1xM20				Doc-Key / ECM-Nr. 100208689/UGD/005/B 500000108296	
HARTING Electric GmbH & Co. KG D-32339 Espelkamp		Type TB	Number 19 30 006 1250			Rev. B	Page 1/1

# Mouser Electronics

Authorized Distributor

Click to View Pricing, Inventory, Delivery & Lifecycle Information:

[HARTING:](#)

[19300061250](#)