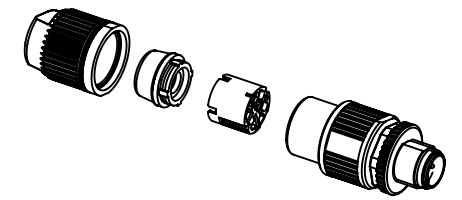
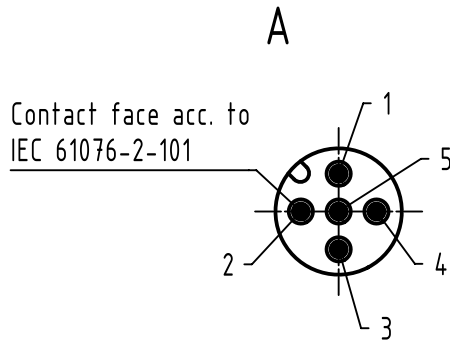
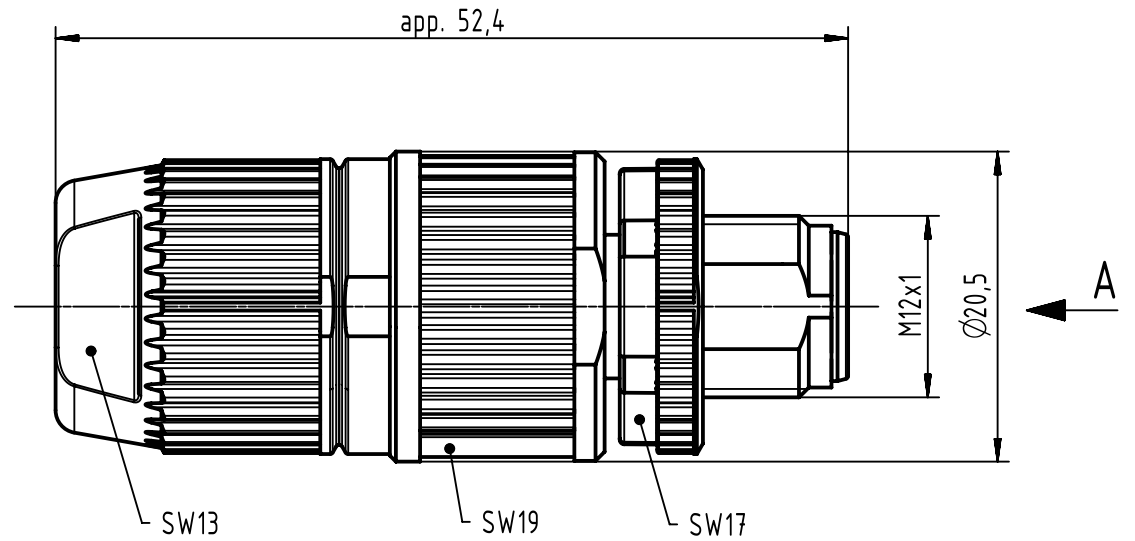
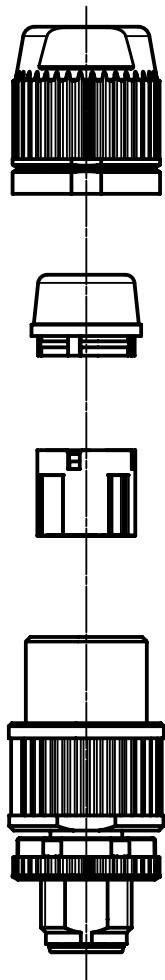


1 2 3 4 5 6

(1:1)



conductor cross section	0.34mm <sup>2</sup> -0.5mm <sup>2</sup> AWG22-AWG20
cable outside diameter	6.0 - 8.0mm

	All Dimensions in mm Original Size DIN A4	Scale	Free size tol.			Ref.
		2:1				Sub.
All rights reserved Department EC PD - DE	HARTING Electronics GmbH D-32339 Espelkamp	Created by	Inspected by	Standardisation	Date	State
		DYCKC	EISFELD	HOFFMANN	2017-07-20	Final Release
Title					Doc-Key / ECM-Nr.	
HARTING M12-L male 5-pole A-coded					100214822/UGD/003/A 500000122631	
Type		Number		Rev.	Page	
TB		21032721505		A	1/1	

# Mouser Electronics

Authorized Distributor

Click to View Pricing, Inventory, Delivery & Lifecycle Information:

[HARTING:](#)

[21032721505](#)