

5

4

3

2

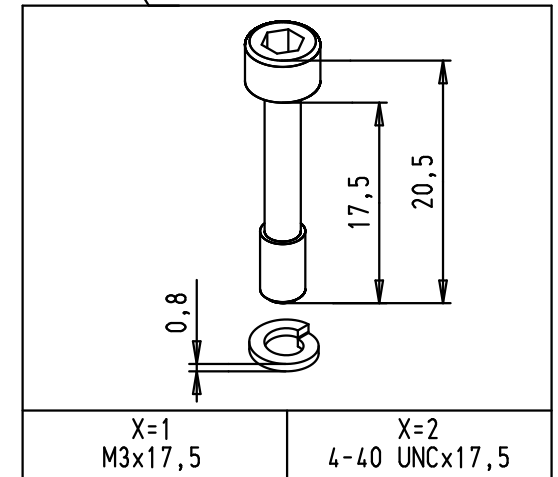
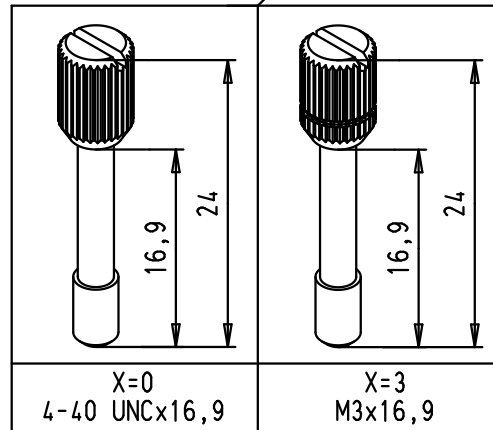
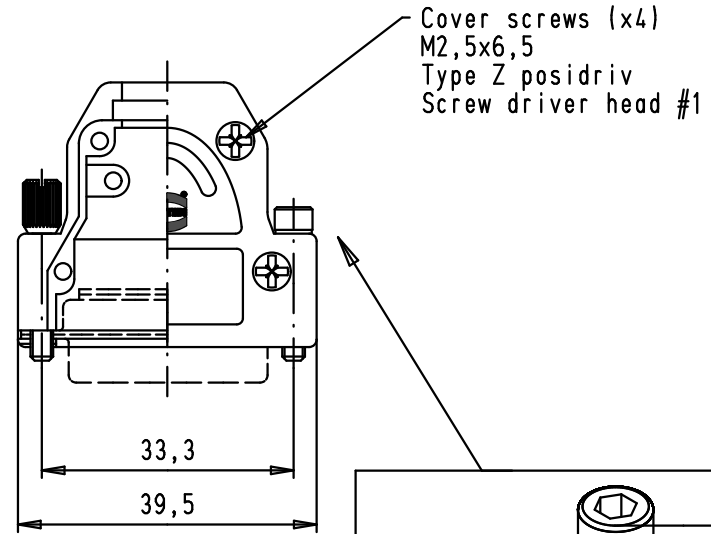
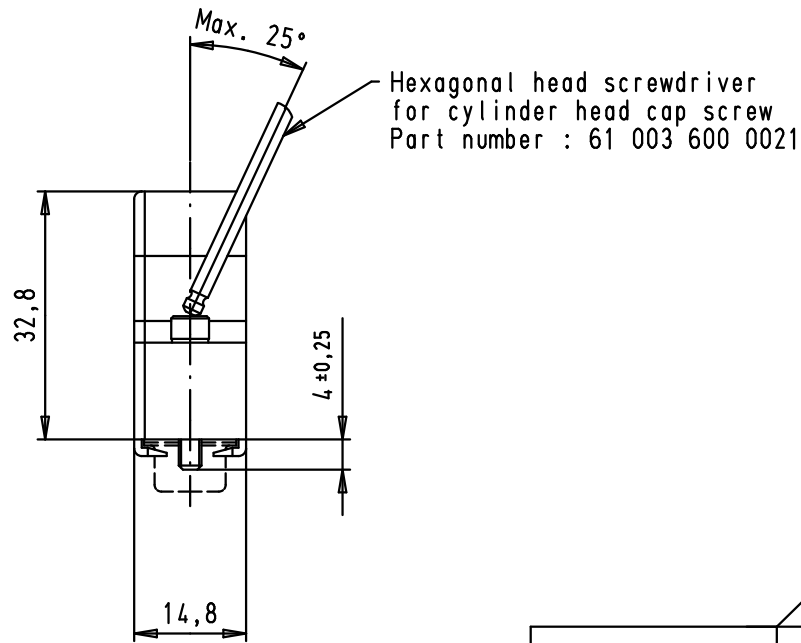
1

D

C

B

A



NOTA :Full metal hood made with zinc diecast

						Dot.	Name		All Dim. in mm Orig. Size DIN A 4	INDUCOM - 15 poles, full metal hood for D-Sub, straight cable entry	Maßstab/ Scale
61 03 001 X016						Detail.	14/08/03 STRAUCH				
61 03 001 3016	Knurled thumb screw	M3 x 16,9				Insp.					
61 03 001 0016		4-40 UNC x 16,9				Stand.					
61 03 001 2016	Cylinder socket head cap screw with spring washer [2,6 DIN 127B]	4-40 UNC x 17,5	36163	29/09/10	SC	HARTING Electronics GmbH & Co. KG D-32339 ESPELKAMP			TB 61 03 001 X016	Blatt/ Page 1 / 1	
61 03 001 1016		M3 x 17,5	32473	10/01/05	STRAUCH						
Part number	Screw type	screw size	Mod.	Dot.	Name					Sub.	

Mouser Electronics

Authorized Distributor

Click to View Pricing, Inventory, Delivery & Lifecycle Information:

[HARTING:](#)

[61030010016](#) [61030011016](#) [61030012016](#) [61030013016](#)