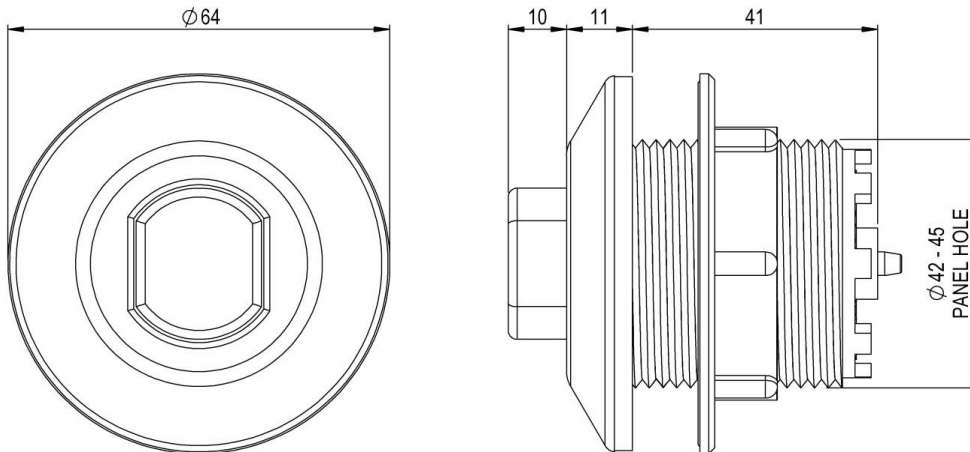


Datasheet

White Push Button For Air Switch RS Stock No. 317-730



FEATURES:

- White button and escutcheon
- Ideal for remote switching
- Large volume bellows
- Use with 3mm I/D tubing
- Suitable for use with various airswitches including:-
316-951, 319-708, 319-714, 319-720, 319-736, 319-742, 319-758

SPECIFICATIONS	
standards/approvals	n/a
degree of protection	EN 60529 IPX4
connection method	via back entry spout, 4mm dia. or 2mm dia.
electrical rating	n/a
contact configuration	n/a
pressure range	works with 6871, 6872, 6773, 6753, 6891, 6893, 6861, 6862, 6863, 6864, 6869 – dependent on tube length
operating temperature	+10 ⁰ C to +40 ⁰ C
body material	thermoplastic
weight	plastic – 0.063Kg; metal – 0.2Kg
additional information	available as a vandal resistant version 6443