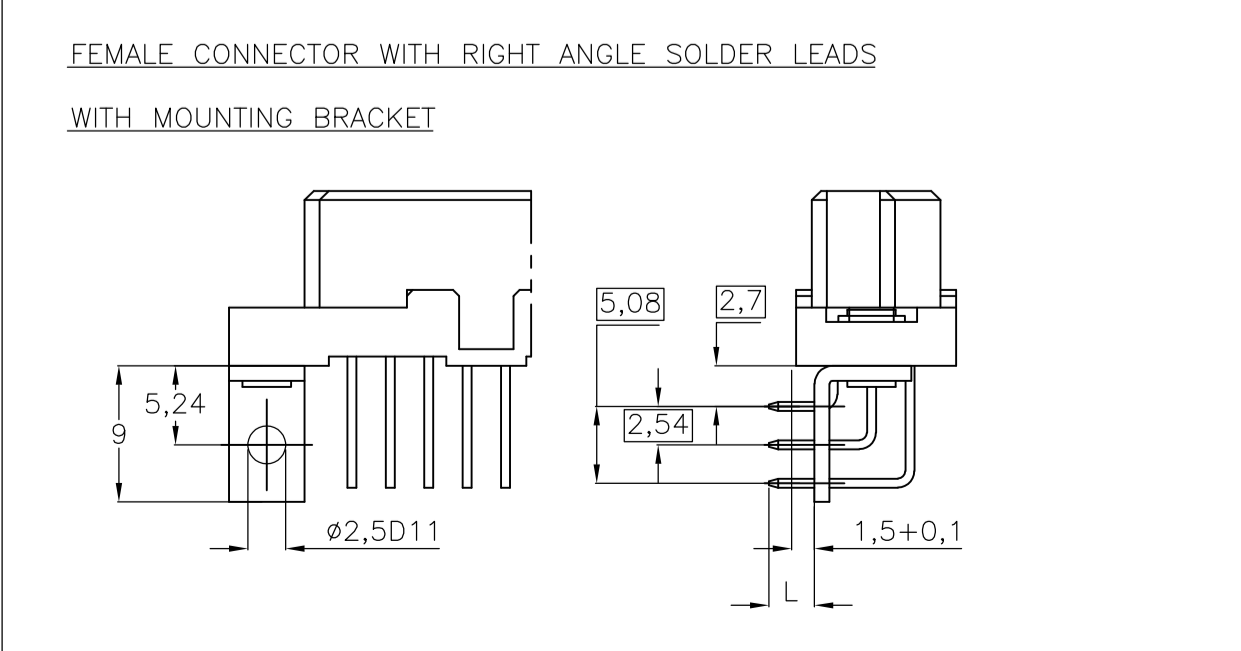
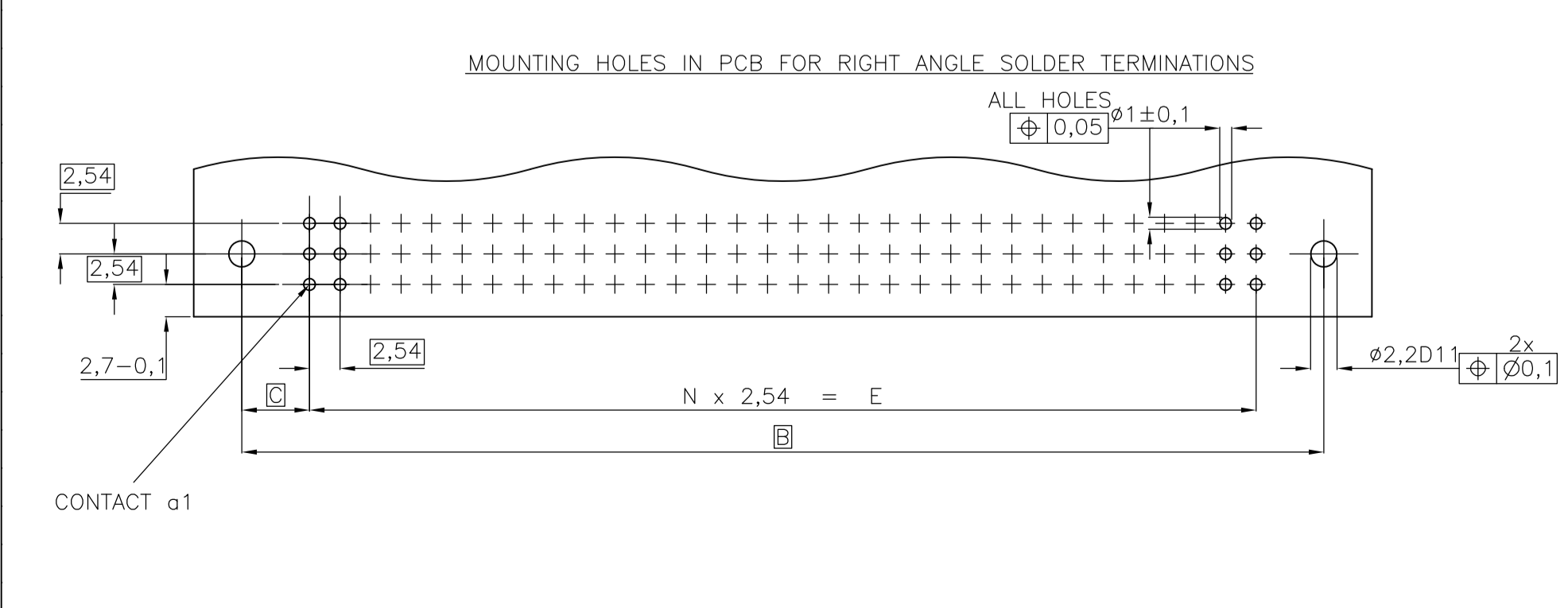
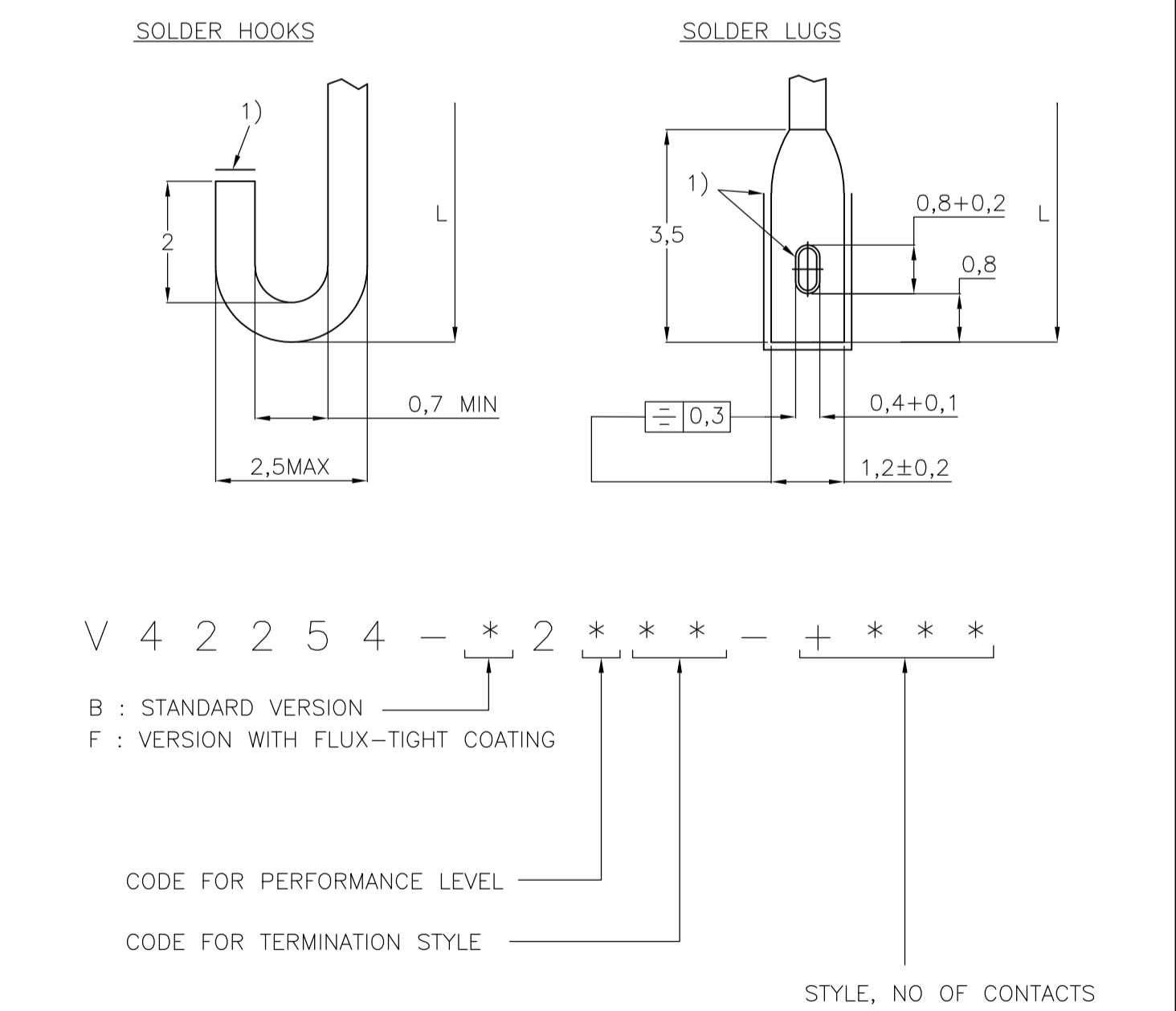
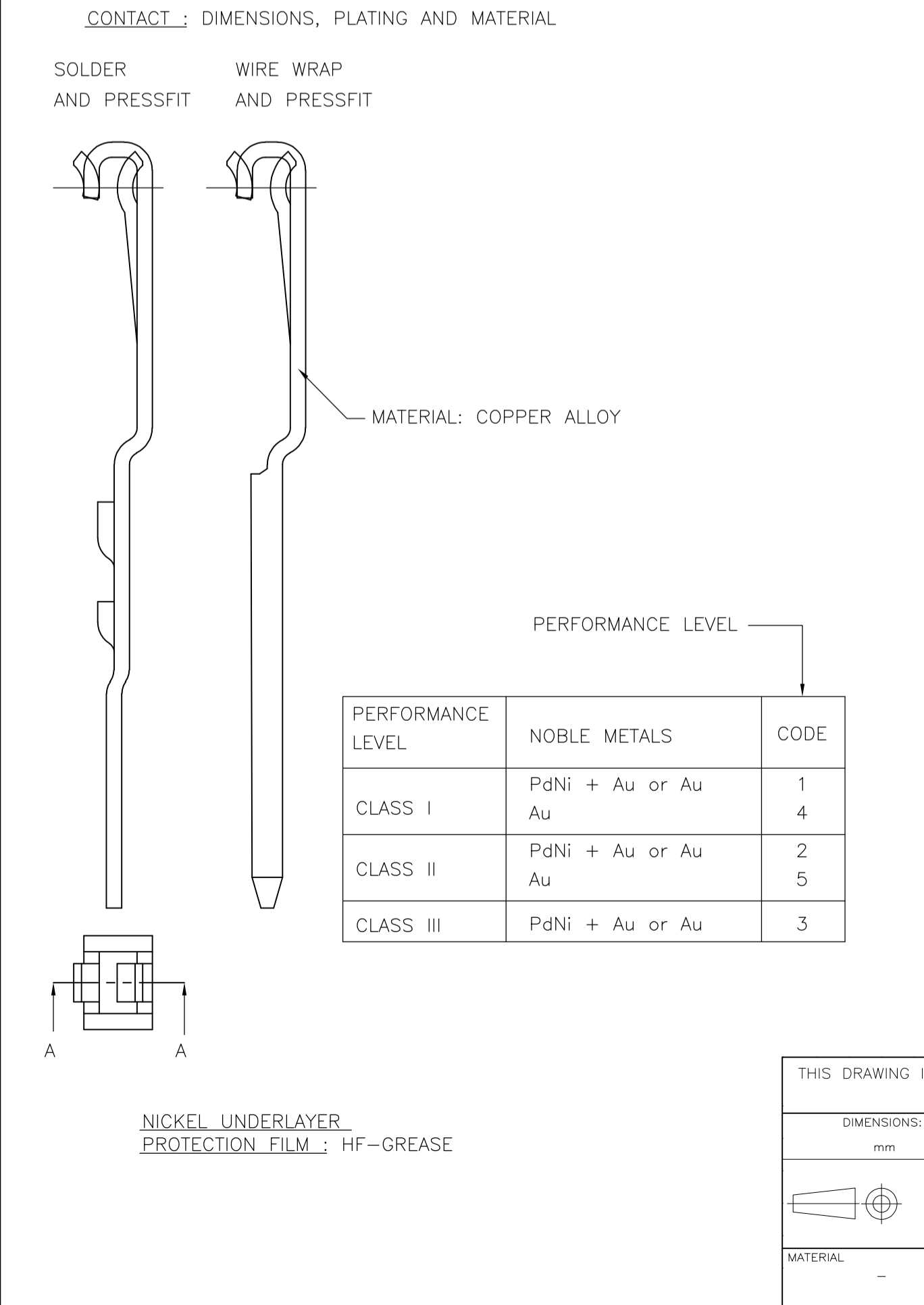
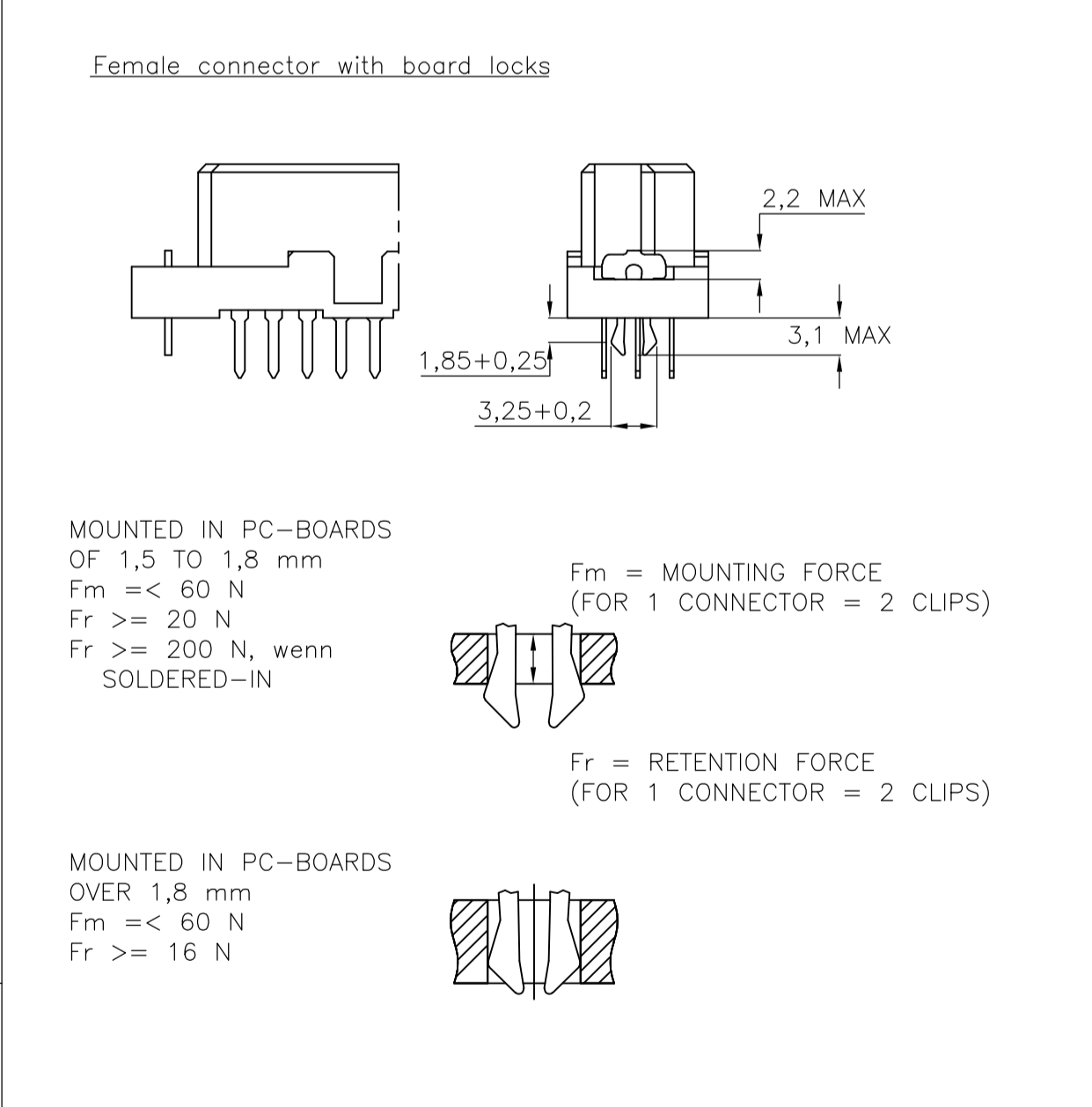
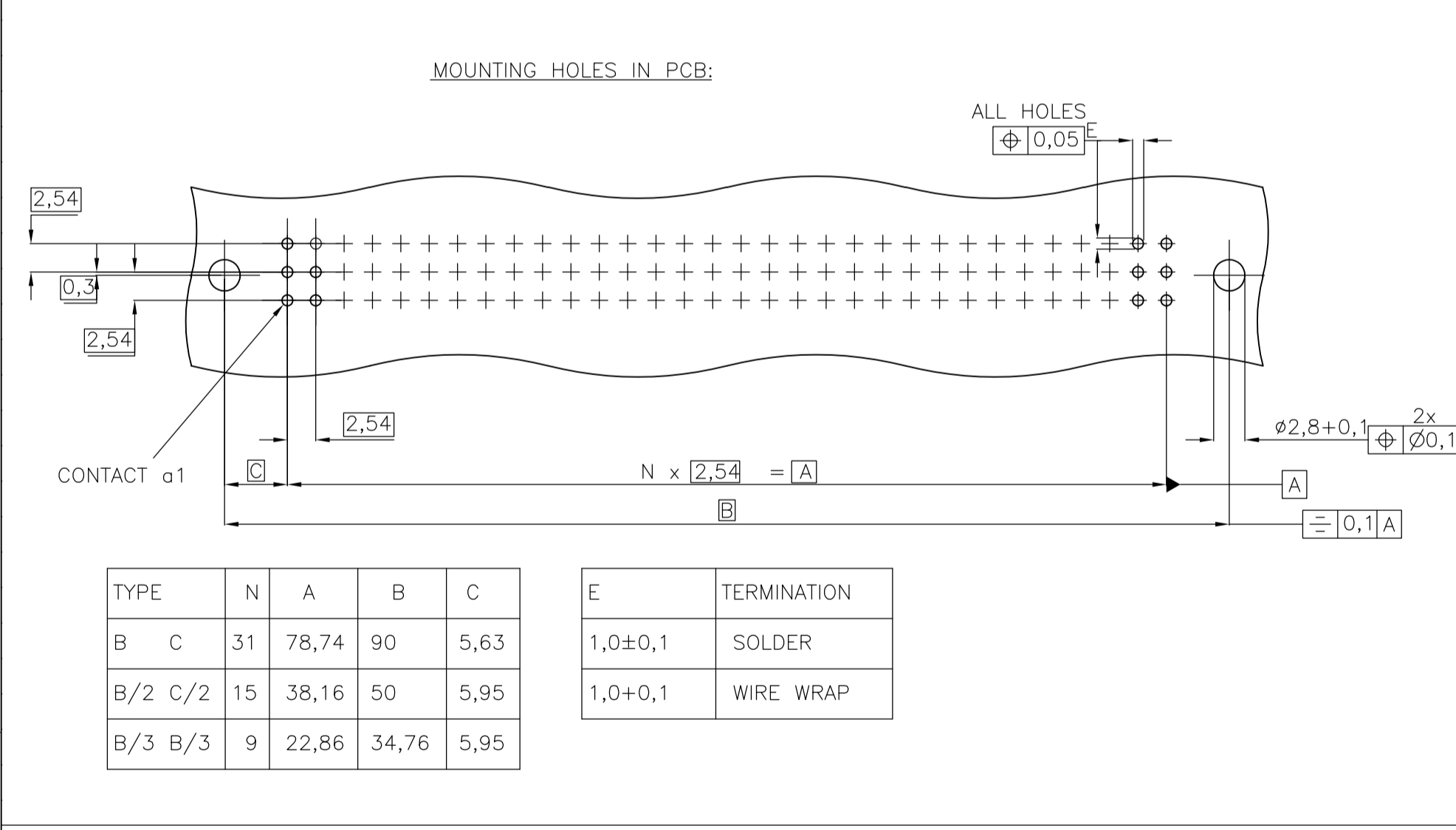


LOC	DIST	REVISIONS			
F	LTR	DESCRIPTION	DATE	DN	APVD
B5	SR10-0177-03		18-06-03		KV
B6	ECR-08-012253		30-10-08		AEG/MKO
B7	ECR-08-012252		18-03-09		AEG/MKO

SOLDER TERMINATIONS		TERMINATION STYLES	
TERMINATION STYLE	TERMINATION STYLE	L	CODE
SOLDER	SOLDER	2.9±0.3	01
		3.7±0.3	05
		4.5±0.3	02
SOLDER	SOLDER	6±0.3	03
		7.3±0.3	04
WIRE WRAP	WIRE WRAP	13±0.5	40
SOLDER	HOOKS	5.5±0.3	30
		10±0.5	
SOLDER	LUGS	5.5±0.3	35
		10±0.5	
SOLDER	RIGHT ANGLE	1.55±0.4	00
SOLDER	RIGHT ANGLE	3±0.4	10
WITH MOUNTING BRACKET	SOLDER	13±0.5	TERMINATION WITH SN
		17±0.5	
		4±0.5	
		13±0.5	
		17±0.5	
		6±0.5	
		6±0.5	
70			



THIS DRAWING IS A CONTROLLED DOCUMENT.		DIN CUVIELIER 14FEB89	Tyco Electronics Corporation 's-Hertogenbosch, Nederland
DIMENSIONS: mm	TOLERANCES UNLESS OTHERWISE SPECIFIED:	NAME	RECEPTACLE ASSEMBLY EUROCARD TYPES B,C AND SHORT VERSIONS (PN:V42254-B2***-C***-7626)
0 PLC ±	1 PLC ±	PRODUCT SPEC	SIZE
2 PLC ±	3 PLC ±	APPLICATION SPEC	CAGE CODE DRAWING NO
4 PLC ±	ANGLES ±	WEIGHT	A1 00779
MATERIAL	FINISH	CUSTOMER DRAWING	RESTRICTED TO
		SCALE NTS	SHEET 1 of 2
			REV B7

