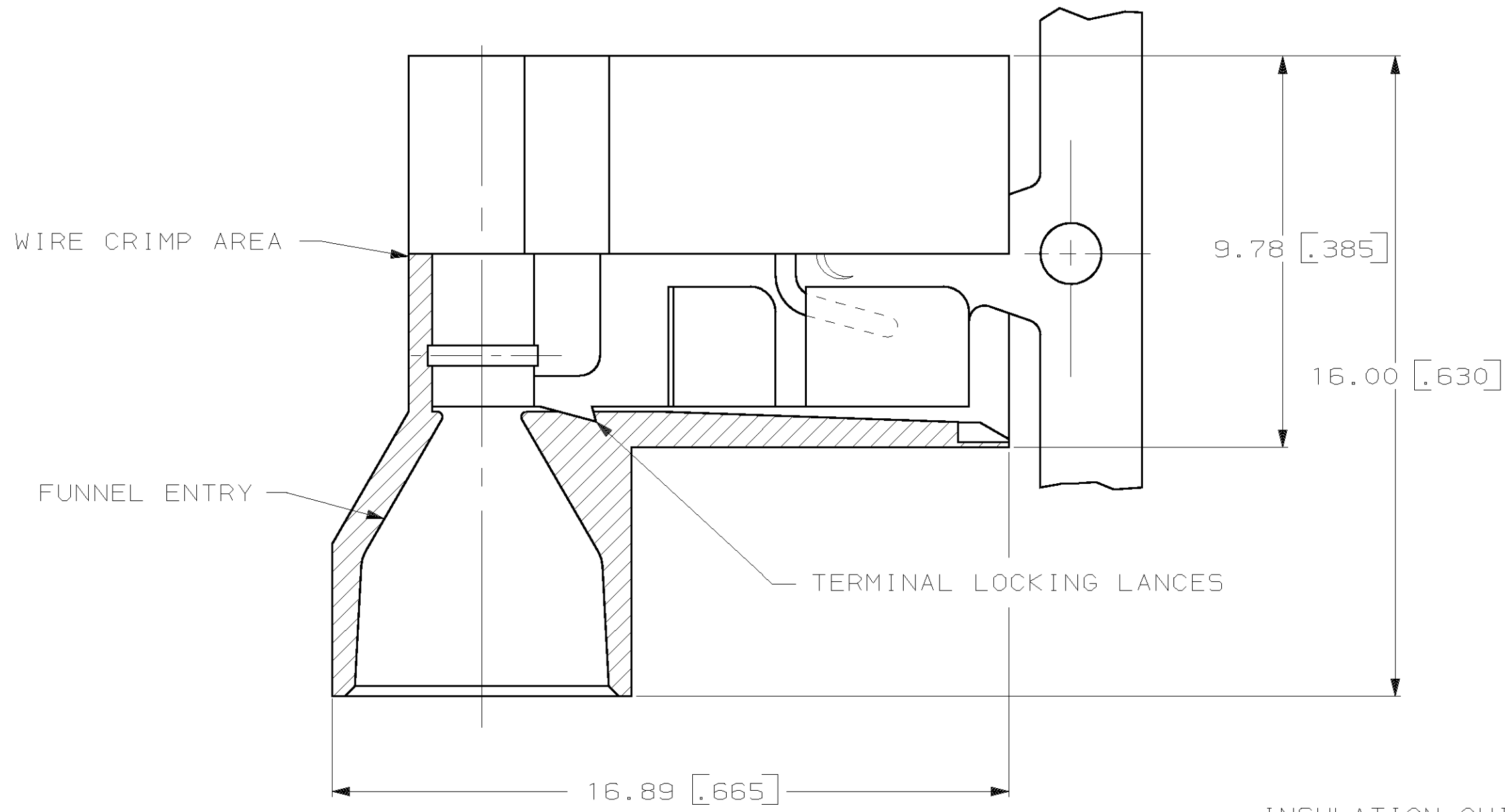
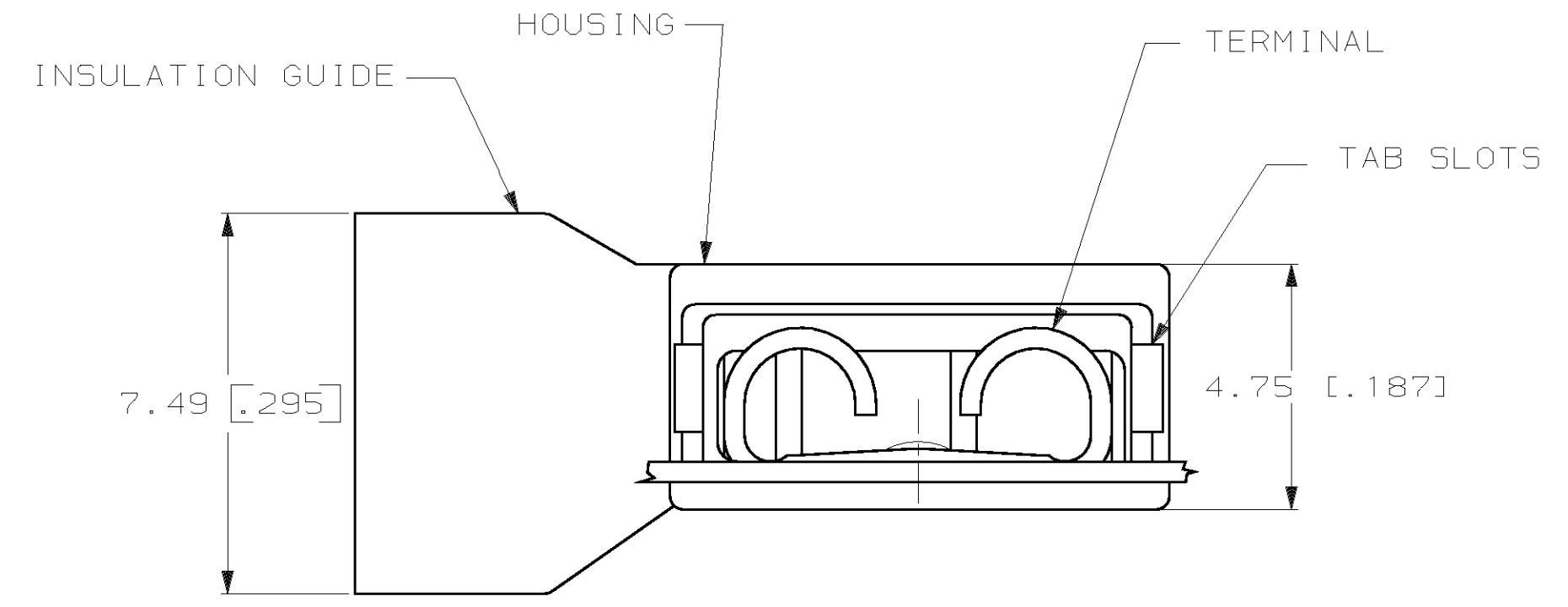
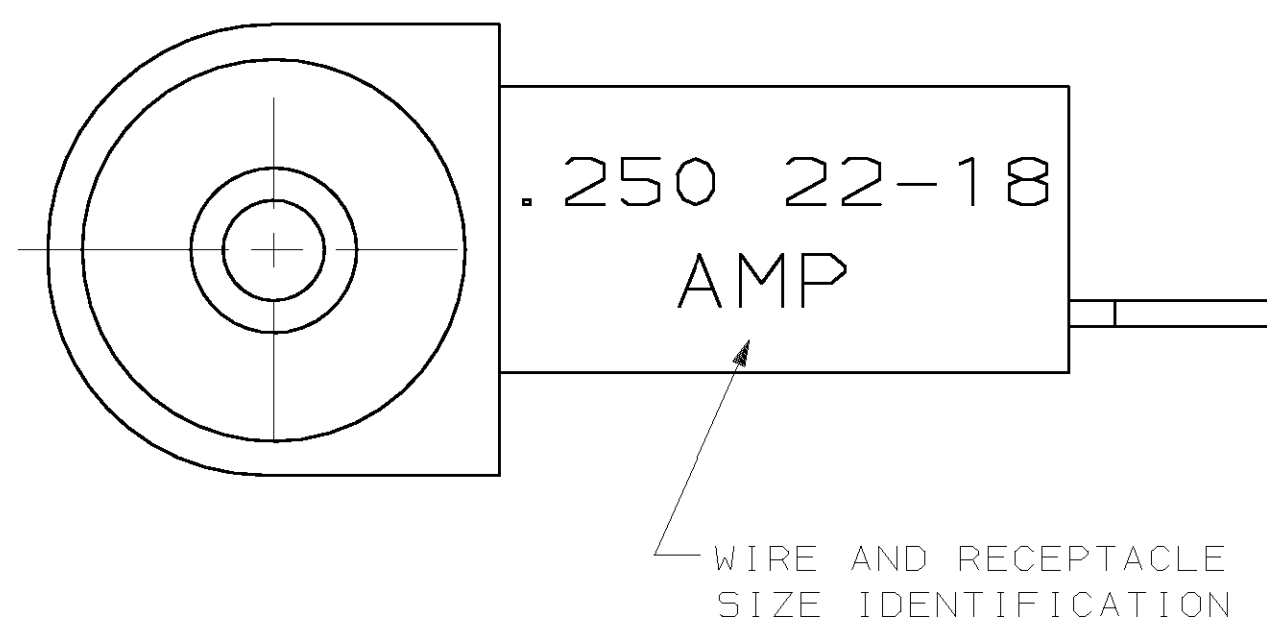


THIS DRAWING IS UNPUBLISHED. RELEASED FOR PUBLICATION
 © COPYRIGHT 19 BY AMP INCORPORATED, HARRISBURG, PA. ALL INTERNATIONAL RIGHTS RESERVED. AMP PRODUCTS MAY BE COVERED BY U.S. AND FOREIGN PATENTS AND/OR PATENTS PENDING.

LOC		DIST		P		F		ZONE		LTR		REVISIONS			
AF		50										DESCRIPTION	DATE	APPROVED	
												F	REV PER OG3A-0081-99	9AUG99	JR/JH



- 1 - FITS 0.81 ±0.025 X 6.35 [.032 ±.001 X .250] TAB
- 2 - WIRE SIZE: 0.3 - 0.9mm² [22-18 AWG] (STRANDED ONLY)
 STRIP LENGTH: ONE WIRE 7.94 [.312]
 TWO WIRES 8.51 [.335]
- 3 - INSULATION SIZE: 5.84 [.230] MAX DIA.
- 4 - DIMENSIONS IN BRACKETS ARE IN INCHES OR AWG.
- 5 - REFER TO PRODUCT SPEC 108-2043 FOR PERFORMANCE DATA.
- 6 - CONTINUOUS STRIP



RED TRANSLUCENT		6/6 NYLON		TIN		.016 BRASS		2-520856-2			
FINISH		HOUSING MATERIAL		FINISH		TERMINAL MATERIAL		PART NO			
UNLESS OTHERWISE SPECIFIED DIMENSIONS ARE IN INCHES mm TOLERANCES ON :				DR 8/25/86 JR RUTH		AMP INCORPORATED Harrisburg, Pa. 17105					
2 PL DEC ± -				CHK 8/25/86 G YETTER							
3 PL DEC ± 0.38 [.015]				APPD 9/2/86 K RANDOLPH		NAME					
MATERIAL				APPD 9/2/86 TL SHUTTER		.250 SERIES ULTRA-FAST FLAG RECEPTACLE ASS'Y					
SEE ABOVE				PRODUCT SPEC 108-2043		SIZE		F5CM NO		DRAWING NO	
FINISH				APPLICATION SPEC 114-2123		C		00779		520856	
SEE ABOVE				WEIGHT		SCALE		NTS		SHEET 1 OF 1	

