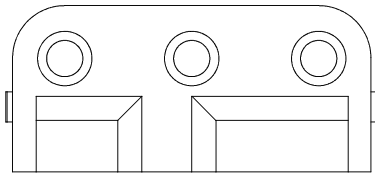
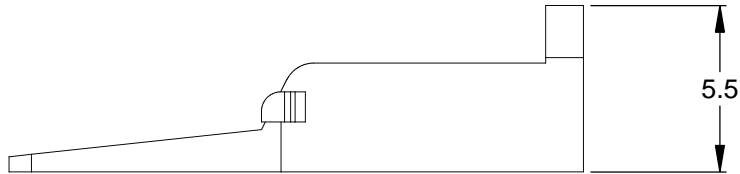
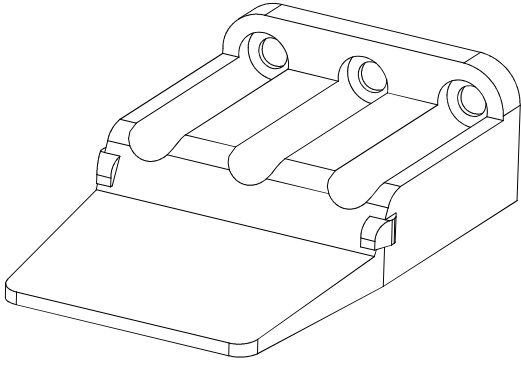
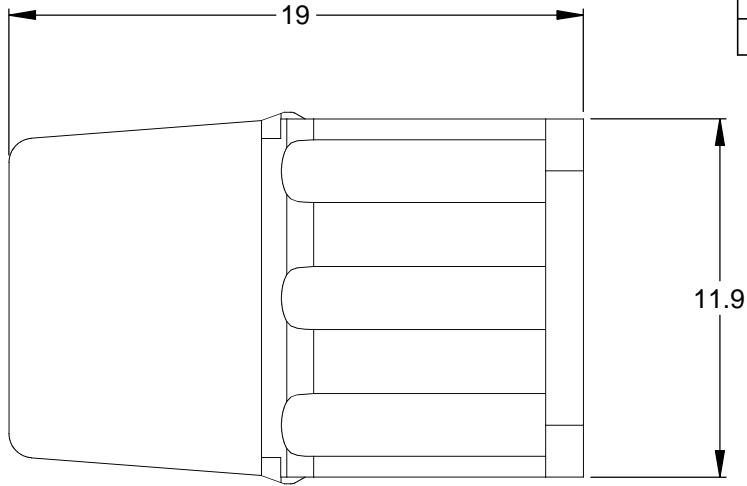


| REVISIONS | | | | | |
|-----------|-----|------------------------|-----------|-----|------|
| REV | ECO | DESCRIPTION | DATE | BY | APPR |
| A3 | | RELEASE NEW DWG FORMAT | 24/JUL/13 | DRP | |



NOTES: UNLESS OTHERWISE SPECIFIED

- 1. MATERIAL: THERMOPLASTIC; COLOR: ORANGE
- 2. RoHS COMPLIANT
- 3. CAVITIES: 3
- 4. KEYED: N/A
- 5. USE WITH CONNECTORS: ATM06-3S*
(* = MODIFICATIONS AND COLORS)
- 6. ALL DIMENSIONS ARE FOR REFERENCE USE ONLY.

| AWM-3S | | PART NUMBER | | DESCRIPTION | | ITEM |
|--------------------------------------|--|--|--|--------------|-----------|--|
| QUANTITY | | MATERIALS LIST | | | | |
| UNLESS OTHERWISE SPECIFIED | | SIGNATURES | | DATE | | <h1 style="text-align: center;">Amphenol</h1> <p style="text-align: center;">Sine Systems - www.amphenol-sine.com 44724 Morley Drive Clinton Township, MI 48036</p> <p style="text-align: center;">S-WEDGELOCK, 3 POSITION, ATM SERIES</p> |
| 1) All dimensions are in metric(mm). | | DRAWN: D.PARKS | | 24/JUL/13 | | |
| 2) Tolerances are as follows: | | CHECKED: | | | | |
| 1 PL DEC ±0.30 | | ENGINEER: | | | | |
| 2 PL DEC ±0.15 | | APPROVAL: | | | | |
| 3 PL DEC ±0.08 | | CUSTOMER: | | | | |
| 3) Note reference = | | THIS DRAWING IS SUPPLIED FOR INFORMATION ONLY. DESIGN FEATURES, SPECIFICATIONS AND PERFORMANCE DATA SHOWN HEREON ARE THE PROPERTY OF THE AMPHENOL CORPORATION. NO RIGHTS OF REPRODUCTION ARE IMPLIED. ALL DIMENSIONS ARE SUBJECT TO NORMAL MANUFACTURING VARIATIONS. | | SIZE | TYPE | DWG NO: |
| MATERIAL SPECIFICATIONS: | | NEXT ASSY: | | B | C- | AWM-3S |
| PROCESS SPECIFICATIONS: | | | | SCALE: NONE | | REVISION |
| | | | | | | A3 |
| | | | | SHEET 1 OF 1 | | |

Mouser Electronics

Authorized Distributor

Click to View Pricing, Inventory, Delivery & Lifecycle Information:

[Amphenol:](#)

[AWM-3S](#)