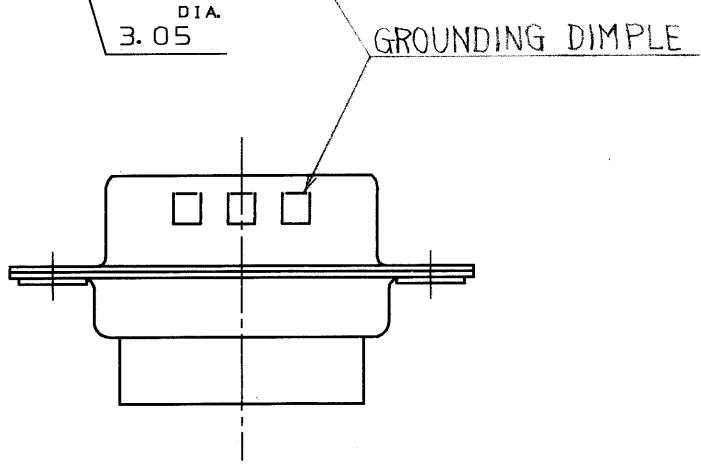
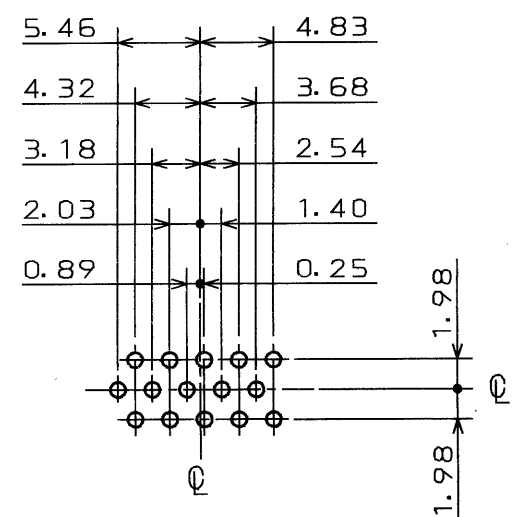
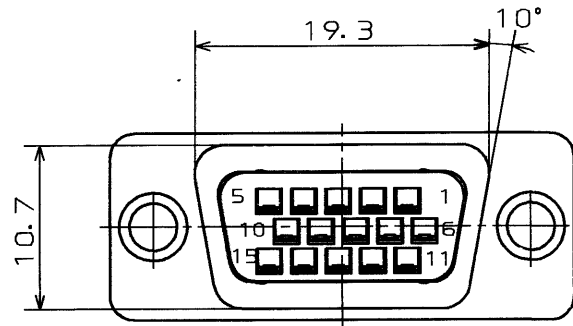
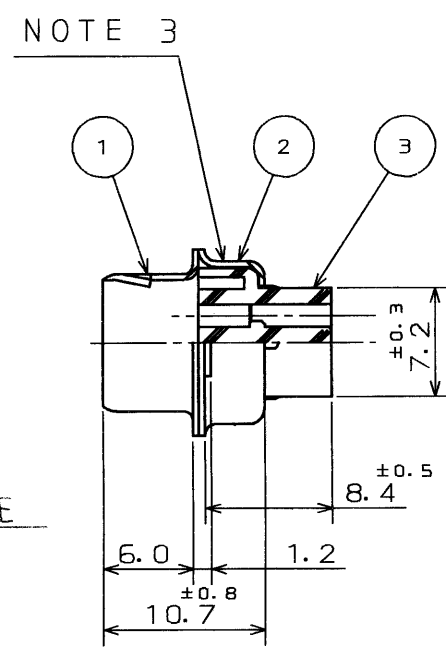
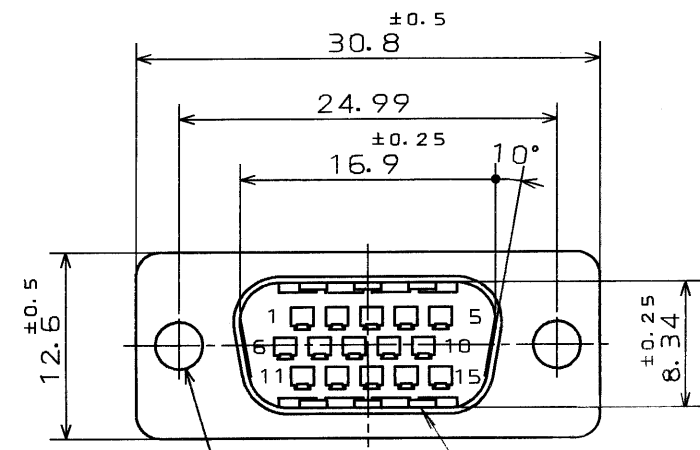


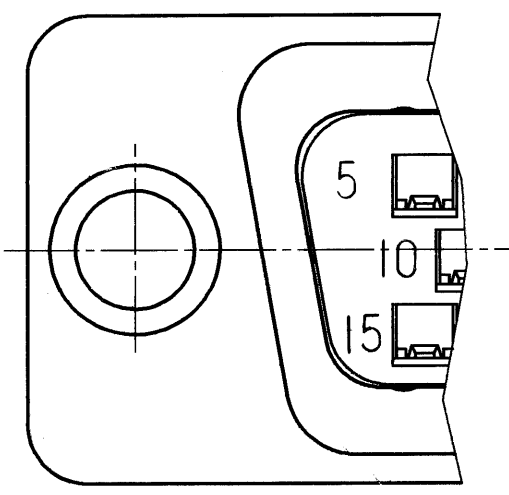
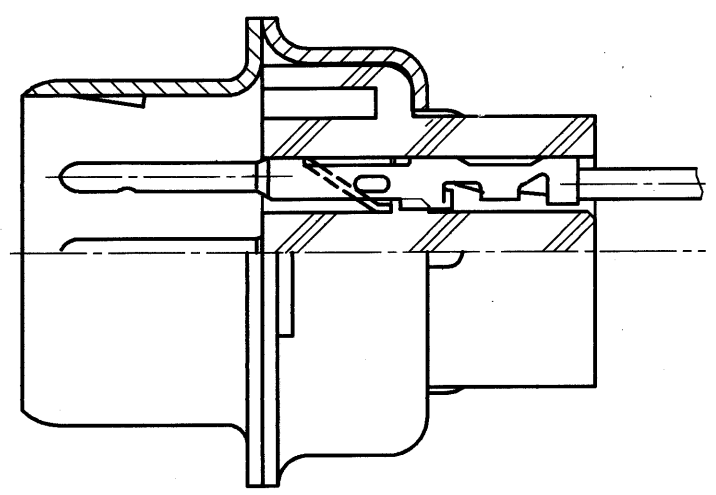
SJ021705-E

DWG. NO.

SYM	DCN NO.	DESCRIPTION	DATE	DRAWN	CHECKED	APP' D	APP' D



PART NUMBER EXPLANATION
 D02 - M 15 P G - N - FO
 WITHOUT CONTACT
 STAMP CONTACT
 FCC TYPE, TIN PLATED SHELL
 PIN CONTACT
 NUMBER OF CONTACTS
 INSERT ARRANGEMENT PER MIL(MS-18273)
 SERIES PREFIX



NOTE 1. CONTACT TO BE ORDERED SEPARATELY.
 2. FOR PANEL CUTOUT DIMENSIONS, SEE OUR DWG. SJ013596.
 3. MARKS "JAE" & P/N "D02M15PG" ARE SHOWN ON THIS PORTION.

PIN CONTACT INSERTED

DIMENSIONS ARE IN MILLIMETERS
 TOLERANCES ON: (INCHES)

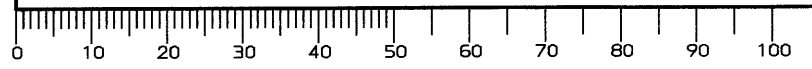
DIMENSION	ANGLES
. ±	X° ±
.x ± 0.4	X°X' ±
.xx ± 0.13	CONCENTRICITY
.xxx ±	WITHIN T. I. R.

ITEM	DESCRIPTION	Q' TY	MATERIAL	FINISH	REMARKS
3	INSULATOR	1	GLASS FILLED NYLON		UL94V-0, BLACK
2	REAR SHELL	1	STEEL	TIN PLATE	
1	FRONT SHELL	1	STEEL	TIN PLATE	EMBOSS

REFERENCE DOCUMENT T86-11 JACS-3050-2	DATE 9 JUN. '87	SCALE 2/1	TITLE D02-M15PG-N-FO	FINISH TIN PLATE	REMARKS EMBOSS
MATERIAL	E. MURANO	CHECKED Y. HAYASHI	APP' D <i>Y. Takemachi</i>	APP' D <i>S. Iwashimoto</i>	SERIES
TREATMENT					
FINISH					

JAE CONNECTOR ROOM
 Reference Only
 JAE
 NAKAGAMI-CHO, AKISHIMA-SHI
 TOKYO, JAPAN
 DWG. NO. SJ021705-E

DOF-115A



SIZE

Mouser Electronics

Authorized Distributor

Click to View Pricing, Inventory, Delivery & Lifecycle Information:

[JAE Electronics:](#)

[D02-M15PG-N-F0](#)