

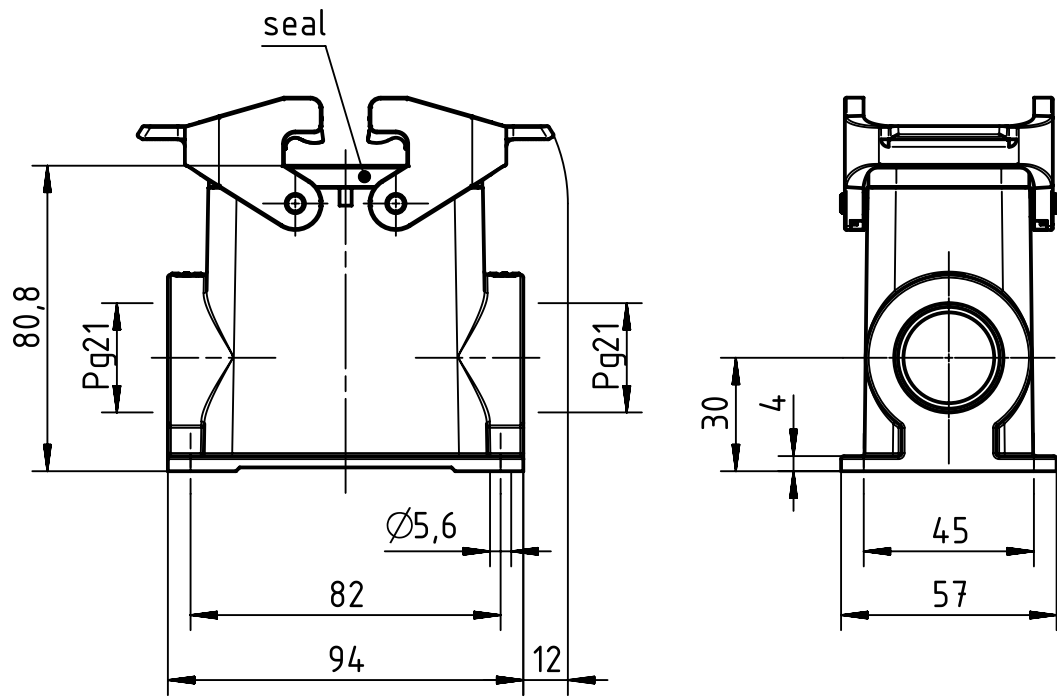
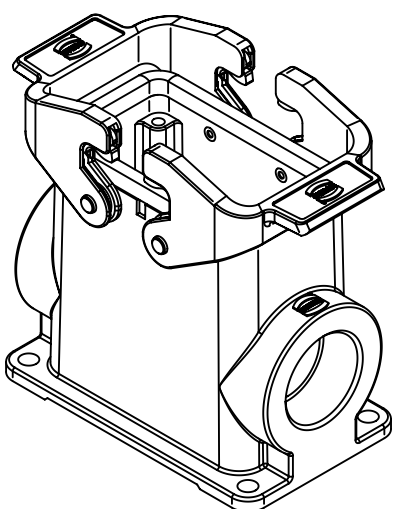
1 2 3 4 5 6

A

B

C

D



	All Dimensions in mm Original Size DIN A4		Scale 1:2		Free size tol.		Ref. Sub. TB 09 30 010 0272 v. 11.04.11		
		All rights reserved Department EL PD - DE		Created by SPRENB	Inspected by BERGHORN	Standardisation TIEMANNA	Date 2014-01-30	State Final Release	
HARTING Electric GmbH & Co. KG D-32339 Espelkamp				Title Han B Base Surface HC 2 Levers 2 Entries				Doc-Key / ECM-Nr. 100208942/UGD/004/A 500000071121	
				Type TB	Number 09 30 010 0272			Rev. A	Page 1/1

Mouser Electronics

Authorized Distributor

Click to View Pricing, Inventory, Delivery & Lifecycle Information:

[HARTING:](#)

[09300100272](#)