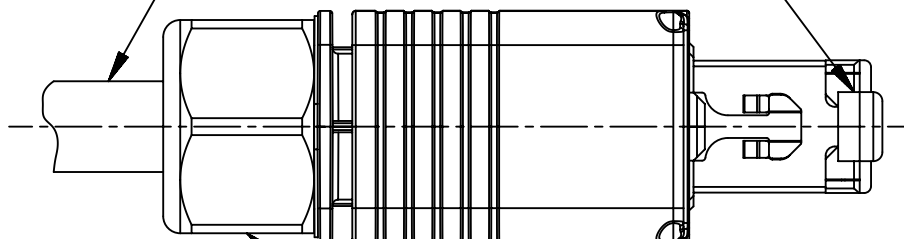


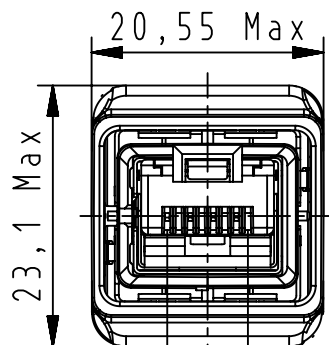
Mating face according to IEC 60603-7

Cable  $\phi 4.9 - 8.6\text{mm}$

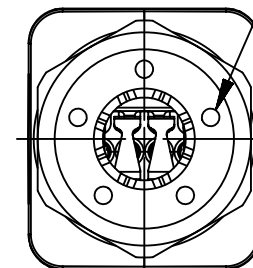
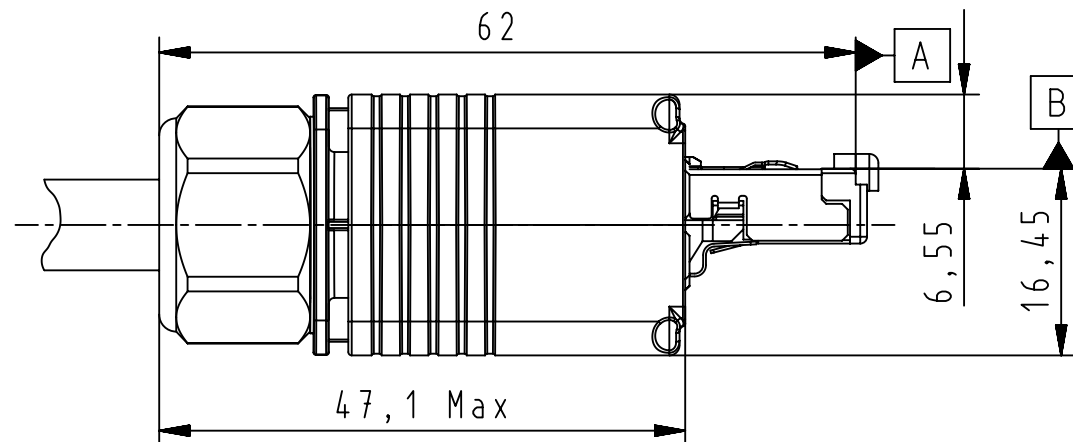


Seal + cage clamp + PG9 nut

On request:  
Color coding ring for PG9 nut  
TB 09 45 840 001X



Position—1 8



- For solid and stranded conductors AWG 27 up to AWG 22
- Max. wire diameter 1.5mm
- Cable diameter 4.9 to 8.6mm
- Degree of protection IP65/IP67
- Cat.6 performance class EA suitable for 1/10 Gigabit Ethernet
- Temperature range  $-40^{\circ}\text{C}$  up to  $+70^{\circ}\text{C}$
- 750 mating cycles

Data contact plating: Au  $1.27\mu\text{m}$  ( $50\mu''$ ) over nickel

	All rights reserved Department EC PD - FR	All Dimensions in mm Original Size DIN A4		Scale 1:1	Free size tol.	Ref.
		Created by DOUGE	Inspected by BAGDIKIAN	Standardisation HOFFMANN	Date 2013-04-02	State Final Release
HARTING Electronics GmbH D-32339 Espelkamp		Title HARTING PushPull RJ45 10G metal connector				Doc-Key / ECM-Nr. 100218612/UGD/001/A 500000060358
		Type TB	Number 09451951560		Rev. A	Page 1/1

# Mouser Electronics

Authorized Distributor

Click to View Pricing, Inventory, Delivery & Lifecycle Information:

[HARTING:](#)

[09451951560](#)