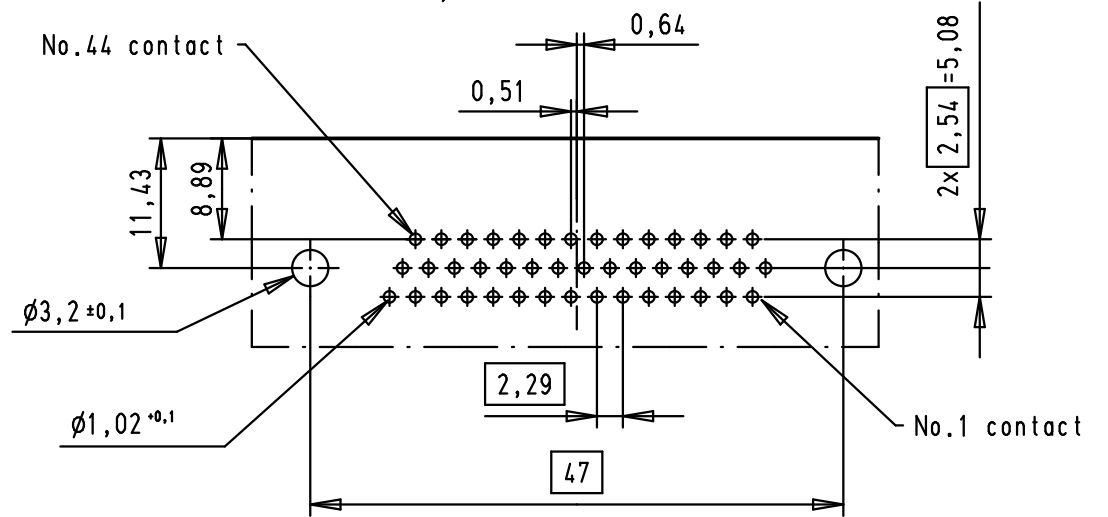
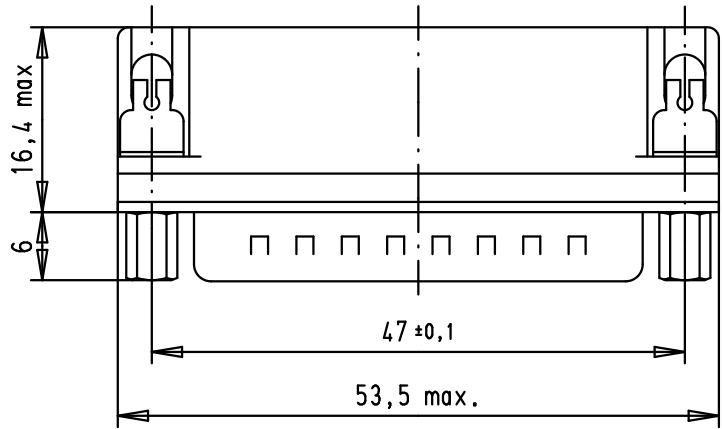




Printed board layout, component side
PCB thickness 1,6mm



A

						Dat.	Name	 All Dim. in mm Orig. Size DIN A 4	Dsub, 44 poles, male, angled solder pins, screw locks, board locks	Maßstab/ Scale 1.5:1
		36181	12/10/10	BH	Detail.	16-SEP-02	CV			
		EC02035	08/07/10	SC	Insp.					
		31485	16-04-03	S.H.	Stand.					
	09563625813	S4	31352	16-OCT-02	S.H.	HARTING EURL			TB 09 56 362 x813	Blatt/ Page 1 / 1
	09563627813	PL3	31064	16-SEP-02	CV	F-95972 Paris				
	Part number	Performance level	Mod.	Dat.	Name			Sub.		

Mouser Electronics

Authorized Distributor

Click to View Pricing, Inventory, Delivery & Lifecycle Information:

[HARTING:](#)

[09563625813](#) [09563627813](#)