

5

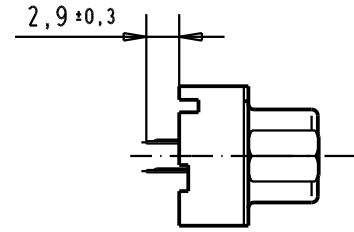
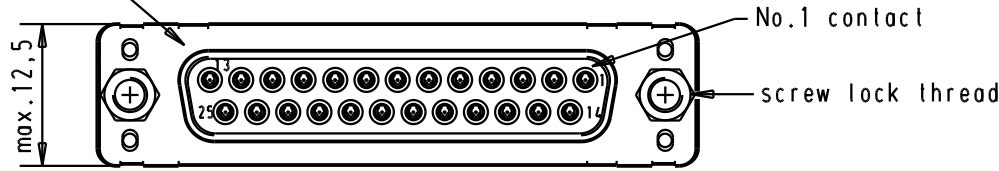
4

3

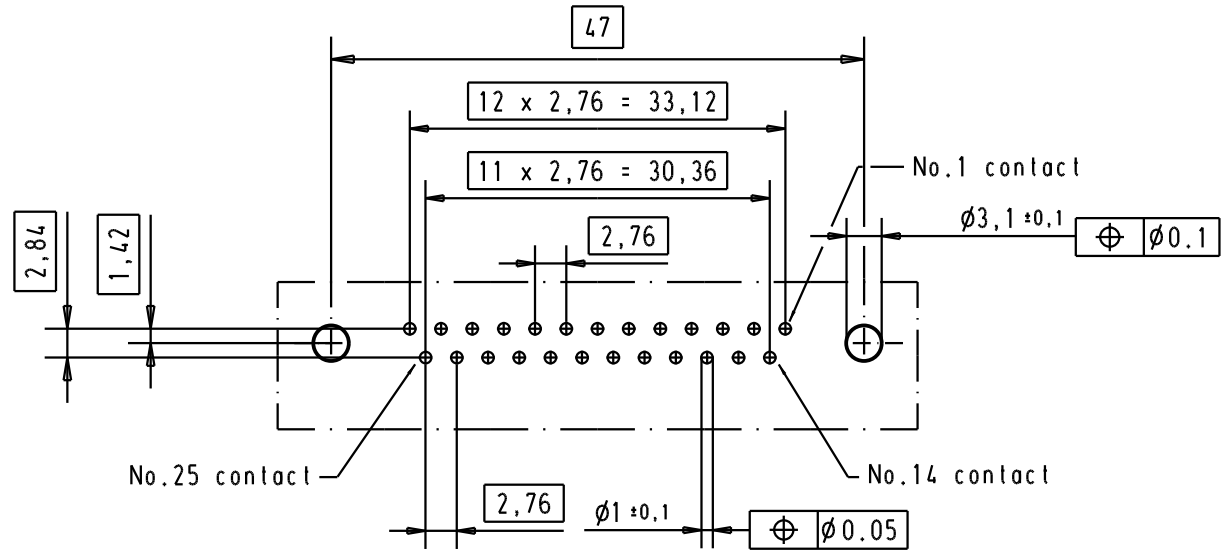
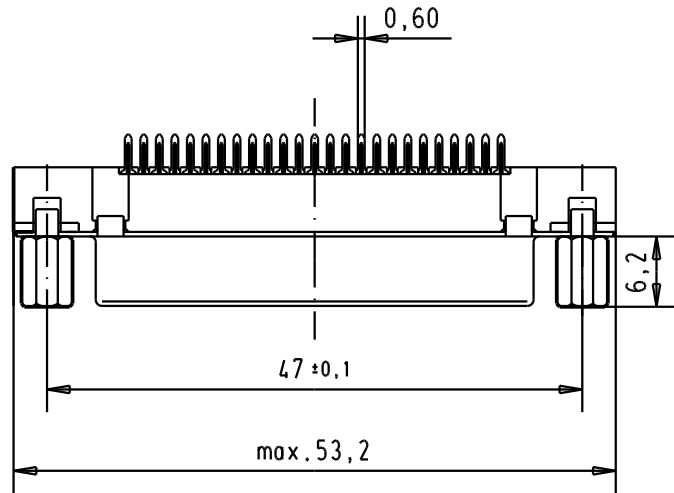
2

1

Mating face according to : MIL-C-24308 / DIN 41652 / CECC 75301-802



PCB layout hole component side



A

						Dat.	Name	<p>All Dim. in mm Orig. Size DIN A 4</p>	D-Sub, 25 poles female, straight, with solder pins 2.9 and screw lock	Maßstab/ Scale 1.5:1	
						Detail.	19/mars/01				AF
						Insp.					
09 66 311 3503	4-40 UNC	1	31892	05/05/04	JH	Stand.			TB 0966311x50x	Blatt/ Page 3	
09 66 311 6503	4-40 UNC	2	29723	05-MAR-02	CV	HARTING EURL F-95972 Paris					
09 66 311 7503	4-40 UNC	3	27988	19/mars/01	AF						
Part number	Screw lock thread	Performance level	Mod.	Dat.	Name				Sub.		



Mouser Electronics

Authorized Distributor

Click to View Pricing, Inventory, Delivery & Lifecycle Information:

[HARTING:](#)

[09663117503](#) [09663116503](#)