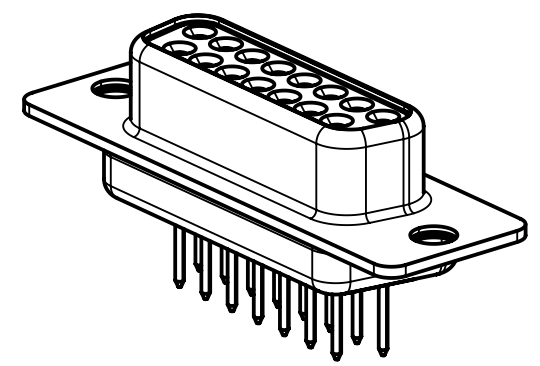
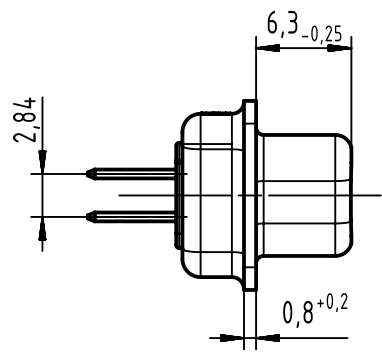
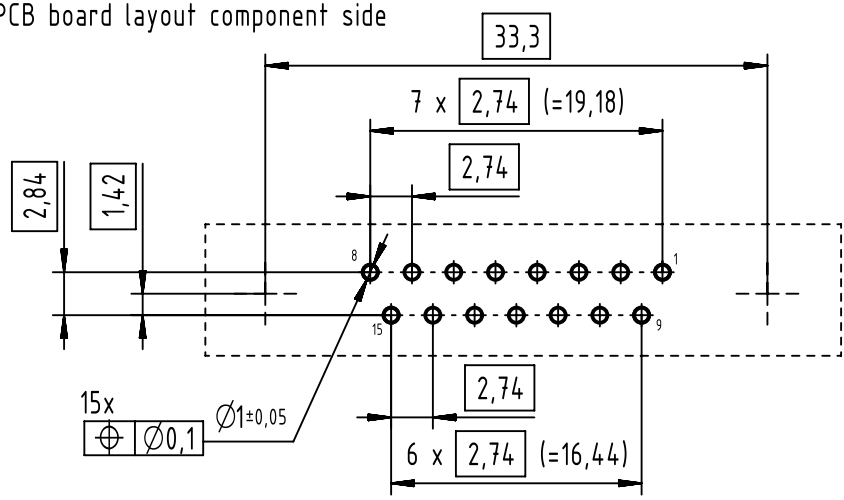
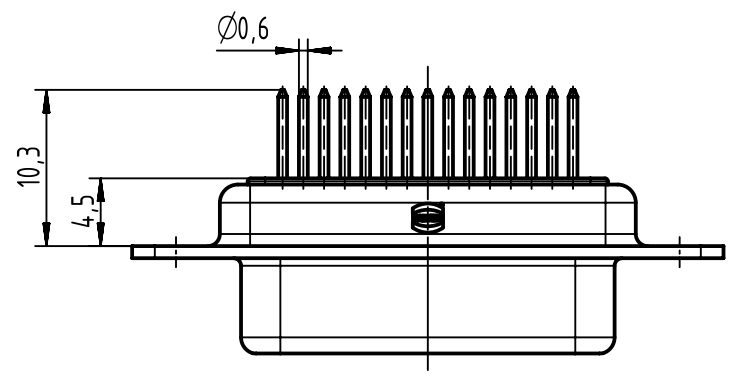


Mating face according to MIL-C-24308 / DIN 41652 / CECC 75301-802



PCB board layout component side



	All rights reserved Department EL PD	All Dimensions in mm Original Size DIN A4		Scale 2:1	Free size tol.	Ref.
		Created by ZHUANGJ	Inspected by LUOK	Standardisation HOFFMANN	Date 2018-05-02	State Final Release
HARTING Electronics GmbH D-32339 Espelkamp		Title D-Sub female 15-pole straight assembly			Doc-Key / ECM-Nr. 100577982/UGD/000/B 500000132564	
Type TB		Number 0967015475X			Rev. B	Page 1/1

09 67 015 4755	PL2
09 67 015 4754	PL3
Part number	Performance level

Mouser Electronics

Authorized Distributor

Click to View Pricing, Inventory, Delivery & Lifecycle Information:

[HARTING:](#)

[09670154754](#) [09670154755](#)