

4

3

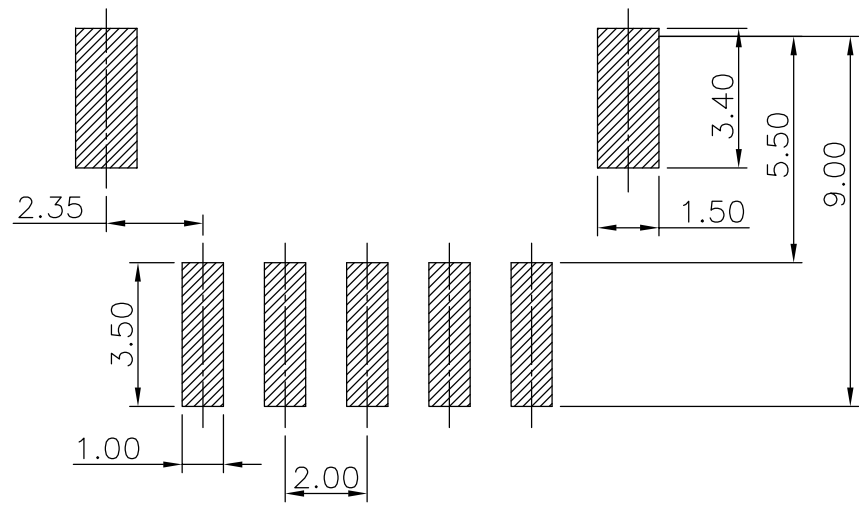
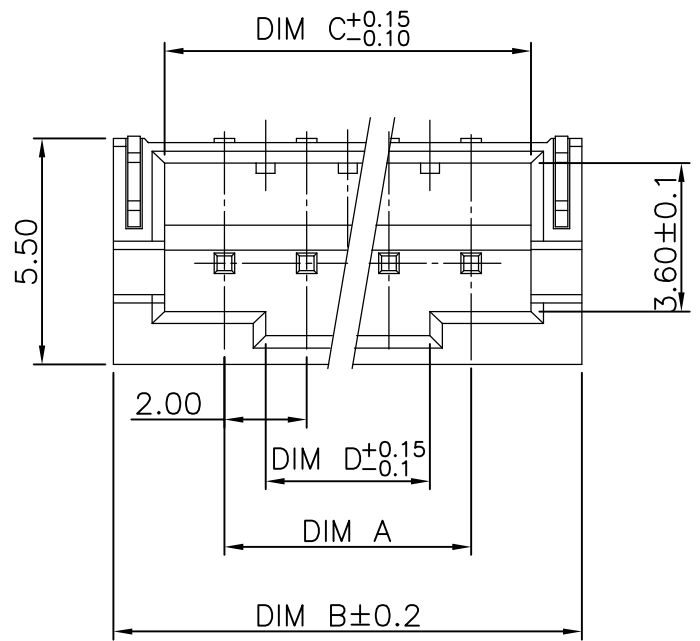
2

1

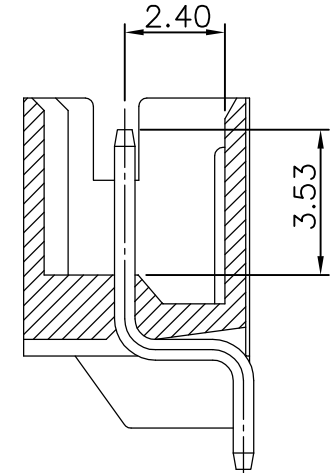
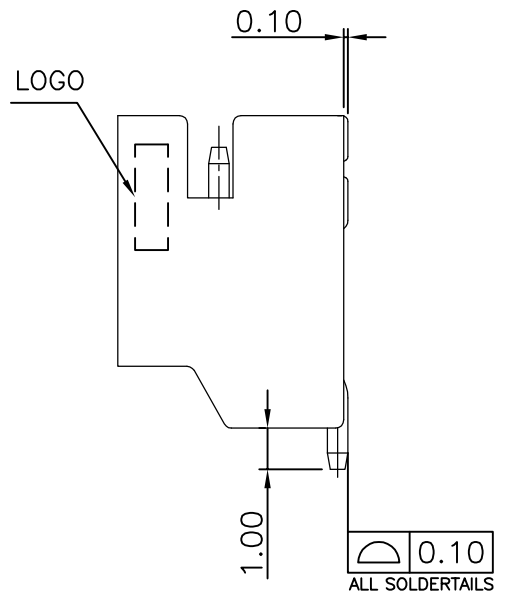
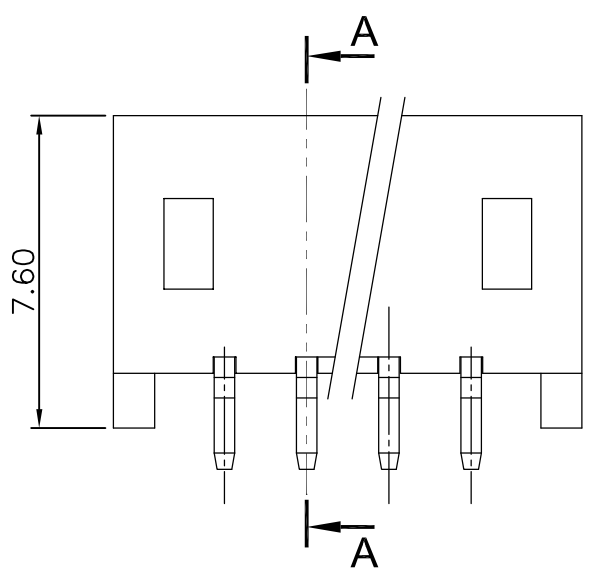
THIS DRAWING IS UNPUBLISHED. RELEASED FOR PUBLICATION

© COPYRIGHT BY TYCO ELECTRONICS CORPORATION. ALL RIGHTS RESERVED.

LOC DW	DIST -	REVISIONS			
P	LTR	DESCRIPTION	DATE	DWN	APVD
	A4	RELEASED (ECR-15-015517)	22OCT15	A.Z	WK



RECOMMENDED PCB LAYOUT



SECTION A-A

B	28.00	32.90	35.40	30.00	16P	3-1775469-6
	26.00	30.90	33.40	28.00	15P	3-1775469-5
	24.00	28.90	31.40	26.00	14P	3-1775469-4
	22.00	26.90	29.40	24.00	13P	3-1775469-3
	20.00	24.90	27.40	22.00	12P	3-1775469-2
	18.00	22.90	25.40	20.00	11P	3-1775469-1
	16.00	20.90	23.40	18.00	10P	3-1775469-0
	14.00	18.90	21.40	16.00	9P	2-1775469-9
	12.00	16.90	19.40	14.00	8P	2-1775469-8
	10.00	14.90	17.40	12.00	7P	2-1775469-7
	8.00	12.90	15.40	10.00	6P	2-1775469-6
	6.00	10.90	13.40	8.00	5P	2-1775469-5
	4.00	8.90	11.40	6.00	4P	2-1775469-4
	2.00	6.90	9.40	4.00	3P	2-1775469-3
	0.60	4.90	7.40	2.00	2P	2-1775469-2
	A	28.00	32.90	35.40	30.00	16P
26.00		30.90	33.40	28.00	15P	1-1775469-5
24.00		28.90	31.40	26.00	14P	1-1775469-4
22.00		26.90	29.40	24.00	13P	1-1775469-3
20.00		24.90	27.40	22.00	12P	1-1775469-2
18.00		22.90	25.40	20.00	11P	1-1775469-1
16.00		20.90	23.40	18.00	10P	1-1775469-0
14.00		18.90	21.40	16.00	9P	1775469-9
12.00		16.90	19.40	14.00	8P	1775469-8
10.00		14.90	17.40	12.00	7P	1775469-7
8.00		12.90	15.40	10.00	6P	1775469-6
6.00		10.90	13.40	8.00	5P	1775469-5
4.00		8.90	11.40	6.00	4P	1775469-4
2.00		6.90	9.40	4.00	3P	1775469-3
0.60		4.90	7.40	2.00	2P	1775469-2
THICKNESS		DIM D	DIM C	DIM B	DIM A	POS

- NOTE:
- MATERIAL :  
HOUSING : PA9T, UL 94V-0, COLOR: NATURAL.  
CONTACT : BRASS, THICKNESS=0.50mm.
  - FINISH:  
CONTACT :  $\Delta$  2um [80u"] MIN. MATTE TIN PLATED OVER  
1.27um [50u"] MIN. NICKEL UNDERPLATED ALL OVER.  
 $\Delta$  GOLD FLASH OVER 1.27um [50u"] MIN. NICKEL UNDERPLATED ALL OVER.
  - REFLOW SOLDER CAPABLE TO 260°C PER TE CONNECTIVITY SPEC 109-201, CONDITION B.

THIS DRAWING IS A CONTROLLED DOCUMENT.

DWN O. HU 01NOV2006	 TE Connectivity  HPI CONN., 2.0MM PITCH, R/A, SMT TYPE			
CHK S. HOU 01NOV2006				
APVD W.J. KE 01NOV2006				
PRODUCT SPEC 108-57100				
QUALIFICATION TEST REPORT 501-57058	NAME			
WEIGHT --	SIZE A3	CAGE CODE 00779	DRAWING NO C=1775469	RESTRICTED TO -
CUSTOMER DRAWING	SCALE -	SHEET 1 of 2	REV A4	

4

3

2

1

THIS DRAWING IS UNPUBLISHED.

RELEASED FOR PUBLICATION

© COPYRIGHT BY TYCO ELECTRONICS CORPORATION. ALL RIGHTS RESERVED.

LOC DIST

DW -

REVISIONS

P	LTR	DESCRIPTION	DATE	DWN	APVD
		SEE SHEET 1.			

46

330

WIDE COVER TAPE AROUND OUT PERIPHERY 1 TURN

165° ~ 180° PEELING ANGLE

WITHOUT CHARGE 240mm

WITH PRODUCT CHARGE 600PCS/REEL

WITHOUT CHARGE 240mm

341mm(L)\*341mm(W)\*221mm(H)

4.00

Ø1.50

DIM E

16.00

6.45

DIM E	PCS/CARTON	PCS/REEL	POS	PART NUMBER
56.00	1,800	600	16P	3-1775469-6
	1,800	600	15P	3-1775469-5
	1,800	600	14P	3-1775469-4
44.00	1,800	600	13P	3-1775469-3
	2,400	600	12P	3-1775469-2
	2,400	600	11P	3-1775469-1
	2,400	600	10P	3-1775469-0
	2,400	600	9P	2-1775469-9
	2,400	600	8P	2-1775469-8
32.00	2,400	600	7P	2-1775469-7
	3,000	600	6P	2-1775469-6
	3,000	600	5P	2-1775469-5
	3,000	600	4P	2-1775469-4
	3,000	600	3P	2-1775469-3
56.00	3,000	600	2P	2-1775469-2
	1,500	600	16P	1-1775469-6
	1,800	600	15P	1-1775469-5
	1,800	600	14P	1-1775469-4
	1,800	600	13P	1-1775469-3
	2,400	600	12P	1-1775469-2
44.00	2,400	600	11P	1-1775469-1
	2,400	600	10P	1-1775469-0
	2,400	600	9P	1775469-9
	2,400	600	8P	1775469-8
	2,400	600	7P	1775469-7
32.00	2,400	600	6P	1775469-6
	3,000	600	5P	1775469-5
	3,000	600	4P	1775469-4
	3,000	600	3P	1775469-3
	3,000	600	2P	1775469-2

THIS DRAWING IS A CONTROLLED DOCUMENT.

DIMENSIONS:  
MM

TOLERANCES UNLESS OTHERWISE SPECIFIED:

0 PLC	± -
1 PLC	± -
2 PLC	± -
3 PLC	± -
4 PLC	± -
ANGLES	± -

MATERIAL

FINISH

DWN O. HU 01NOV2006

CHK S. HOU 01NOV2006

APVD W.J. KE 01NOV2006

PRODUCT SPEC

APPLICATION SPEC

WEIGHT -

CUSTOMER DRAWING

NAME	SIZE	CAGE CODE	DRAWING NO	RESTRICTED TO
HPI CONN., 2.0MM PITCH, R/A, SMT TYPE	A3		C=1775469	-

SCALE	SHEET	REV
-	2 of 2	A4

AMP 1470-19 REV 31MAR2000

# Mouser Electronics

Authorized Distributor

Click to View Pricing, Inventory, Delivery & Lifecycle Information:

[TE Connectivity:](#)

[1-1775469-4](#)