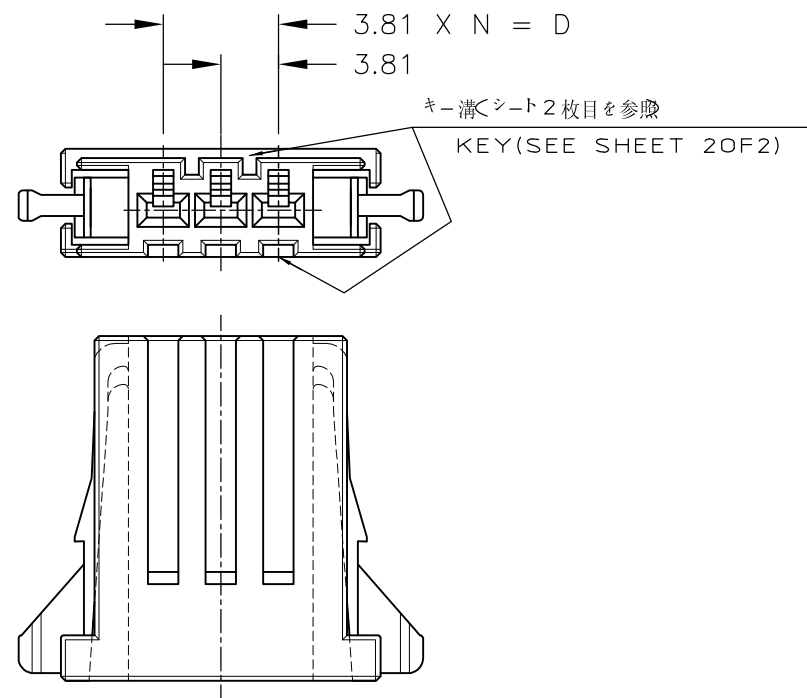
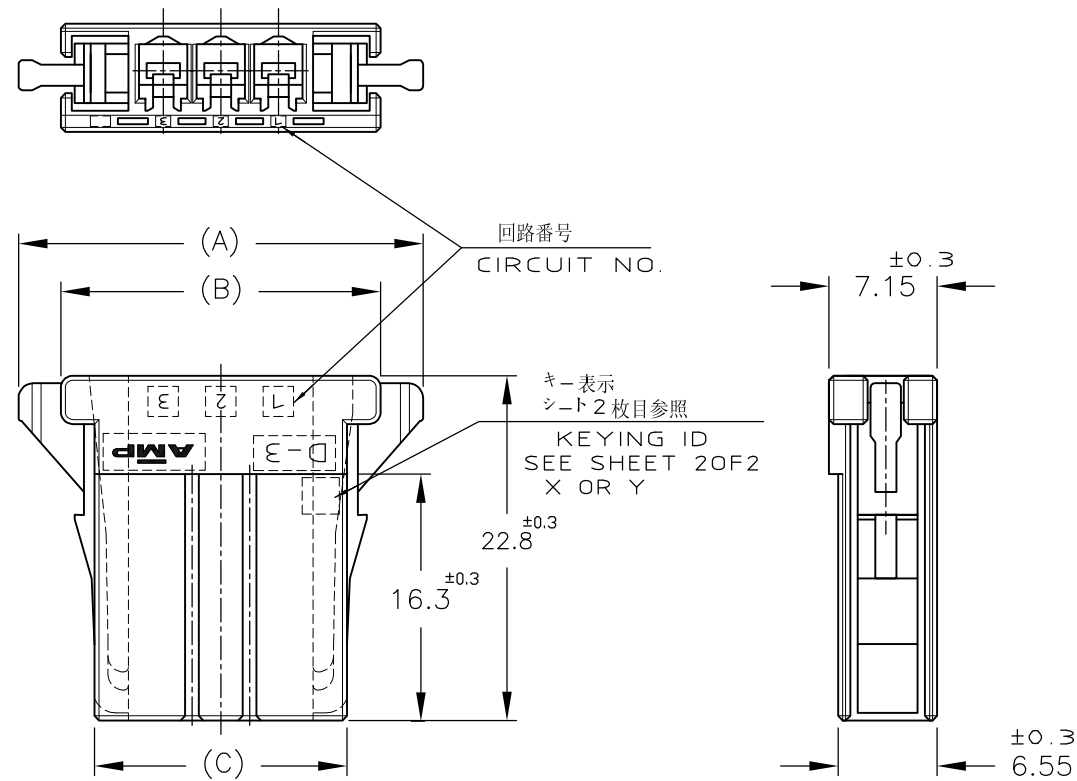


NUMBER 178288



METRIC

PRINT DIST 単位 概 DIMENSIONS IN MM. DO NOT SCALE PRINT



NOTE
 1 MATERIAL: GLASS FIELD THERMO PLASTIC, POLYESTER
 COLOR: BLACK
~~△ TO COAT ALL SURFACE OF HOUSING WITH TEFLON~~

注記
 1 材料: ガラス入り熱可塑性ポリエステル樹脂
 色: 黒色
~~△ ハウジング全面にテフロン塗装のこと~~

FINISH	POS.	DIMENSION	A	B	C	D	N	PART NUMBER
	10 POS.		53.43	47.83	43.37	34.29	9	2-178288-8
	10 POS.		53.43	47.83	43.37	34.29	9	1-178288-8
	8 POS.		45.81	40.12	35.97	26.67	7	1-178288-7
	6 POS.		38.19	32.59	28.13	19.05	5	2-178288-6
	6 POS.		38.19	32.59	28.13	19.05	5	1-178288-6
	5 POS.		34.38	28.78	24.32	15.24	4	1-178288-5
	4 POS.		30.57	24.97	20.51	11.43	3	2-178288-4
	4 POS.		30.57	24.97	20.51	11.43	3	1-178288-4
OBSOLETE	△ 3 POS.		26.76	21.16	16.7	7.62	2	6-178288-3
OBSOLETE	△ 3 POS.		26.76	21.16	16.7	7.62	2	5-178288-3
	3 POS.		26.76	21.16	16.7	7.62	2	2-178288-3
	3 POS.		26.76	21.16	16.7	7.62	2	1-178288-3

				STE TE Connectivity						
				抱合電線断面(WIRE RANGE) mm ² (AWG -)		被覆外径(INSULATION DIA.) mmφ		名称(NAME) REC HSG FOR DYNAMIC, SINGLE ROW ダイナミックφ-3100リセハウジング		
				材料(MATERIAL) SEE NOTE 注記参照		仕上(FINISH)		一般公差 (GENERAL TOLERANCE) 10以下 : ±0.2 10以上 30以下 : ±0.25 30以上 100以下 : ±0.3 角度 : ±3°		
E4 REVISED PER ECO-11-005030				RK	HMR	21MAR11	DR. N. Matsubara	9 JUL 91	DE. N. Matsubara	9 JUL 91
LTR 変更 (REVISION RECORD)				DR	CHK	DATE	CHK. H. Obata	17 JUL 91	APP. S. MANABE	17-DEC-'91
SIZE A3		LOC J		番号(No.) C=178288		尺度(SCALE) 2-1		REV. E4		SHEET 1 OF 2

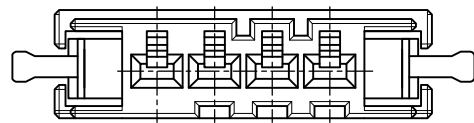
NUMBER 178288



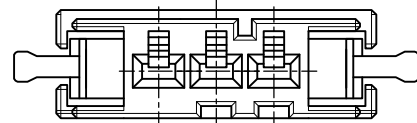
METRIC

PRINT DIST 单位 耗 DIMENSIONS IN MM. DO NOT SCALE PRINT

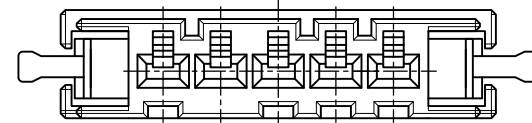
KEYING LOCATION



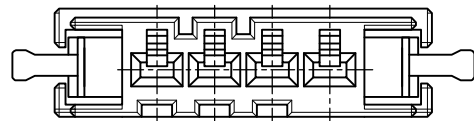
(P/N 2-178288-4 ONLY)
(KEYING: Y)



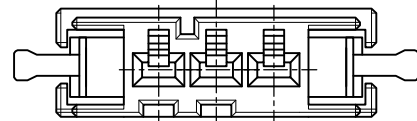
(P/N 2-178288-3 ONLY)
(KEYING: Y)



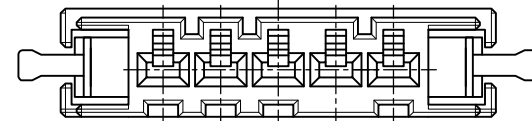
(P/N 2-178288-6,-8)
(KEYING: Y)



(P/N 1-178288-4 ONLY)
(KEYING: X)



(P/N 1-178288-3 ONLY)
(KEYING: X)



(P/N 1-178288-5,-6,-7,-8)
(KEYING: X)

					STE TE Connectivity	
抱合電線断面(WIRE RANGE) mm(AWG -)			被覆外径(INSULATION DIA.) mmφ		名称(NAME) REC HSG FOR DYNAMIC, SINGLE ROW ダイナミック-3100リセハウジング	
材料(MATERIAL) SEE NOTE 注記参照			仕上(FINISH) ---		一般公差 (GENERAL TOLERANCE) 10以下 : ±0.2 10以上 30以下 : ±0.25 30以上 100以下 : ±0.3 角度 : ±3°	
DR. SEE 1 OF 2			DE. OF 2		SIZE A3	LOC J
LTR 変更 (REVISION RECORD)			DR	CHK	DATE	番号(No.) 178288
CHK. SEE 1			APP.		尺度(SCALE) 2-1	REV. E4
					SHEET 2 OF 2	

(CUSTOMER DRAWING) 顧客用図面

Mouser Electronics

Authorized Distributor

Click to View Pricing, Inventory, Delivery & Lifecycle Information:

[TE Connectivity:](#)

[1-178288-3](#)