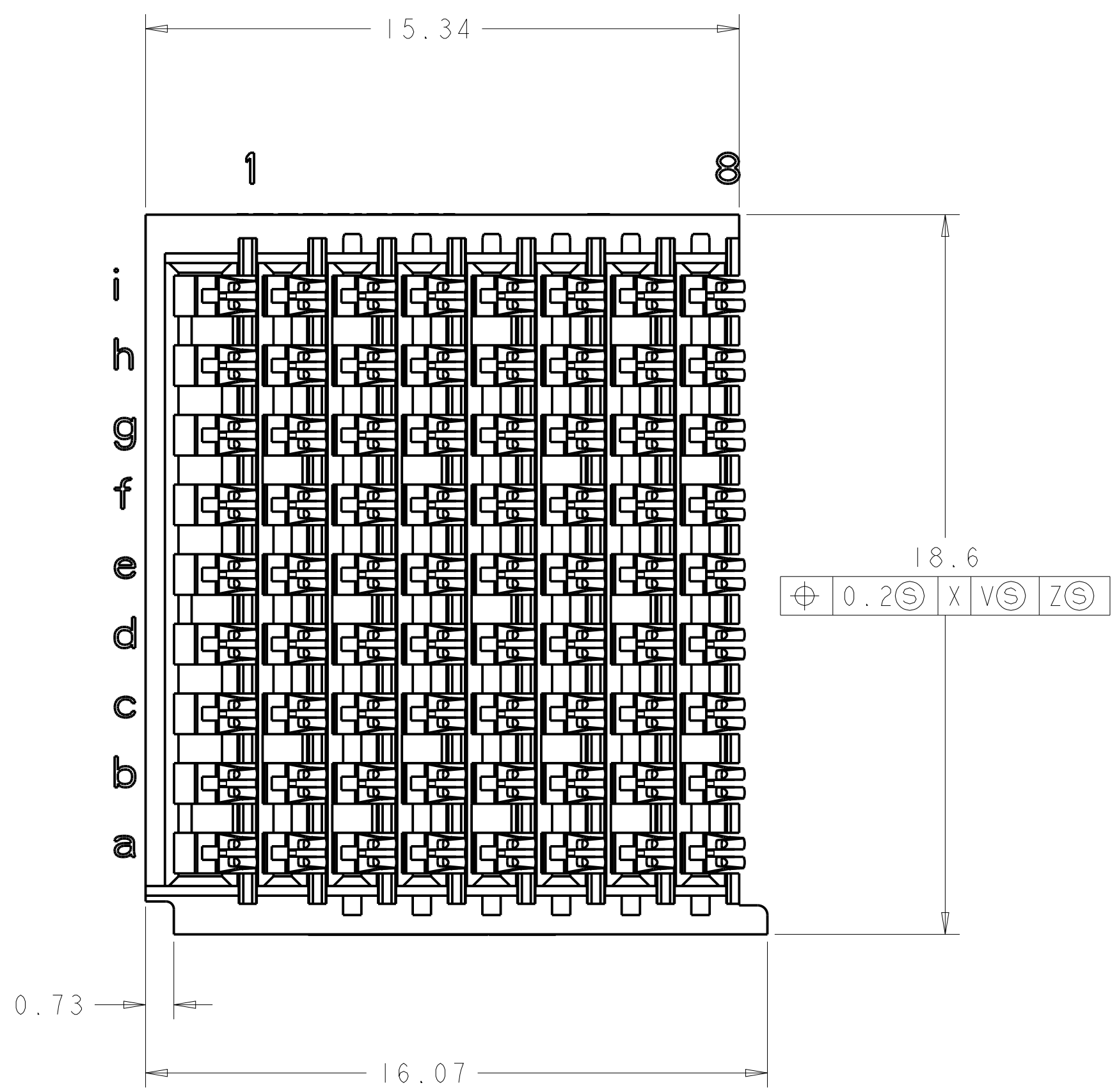
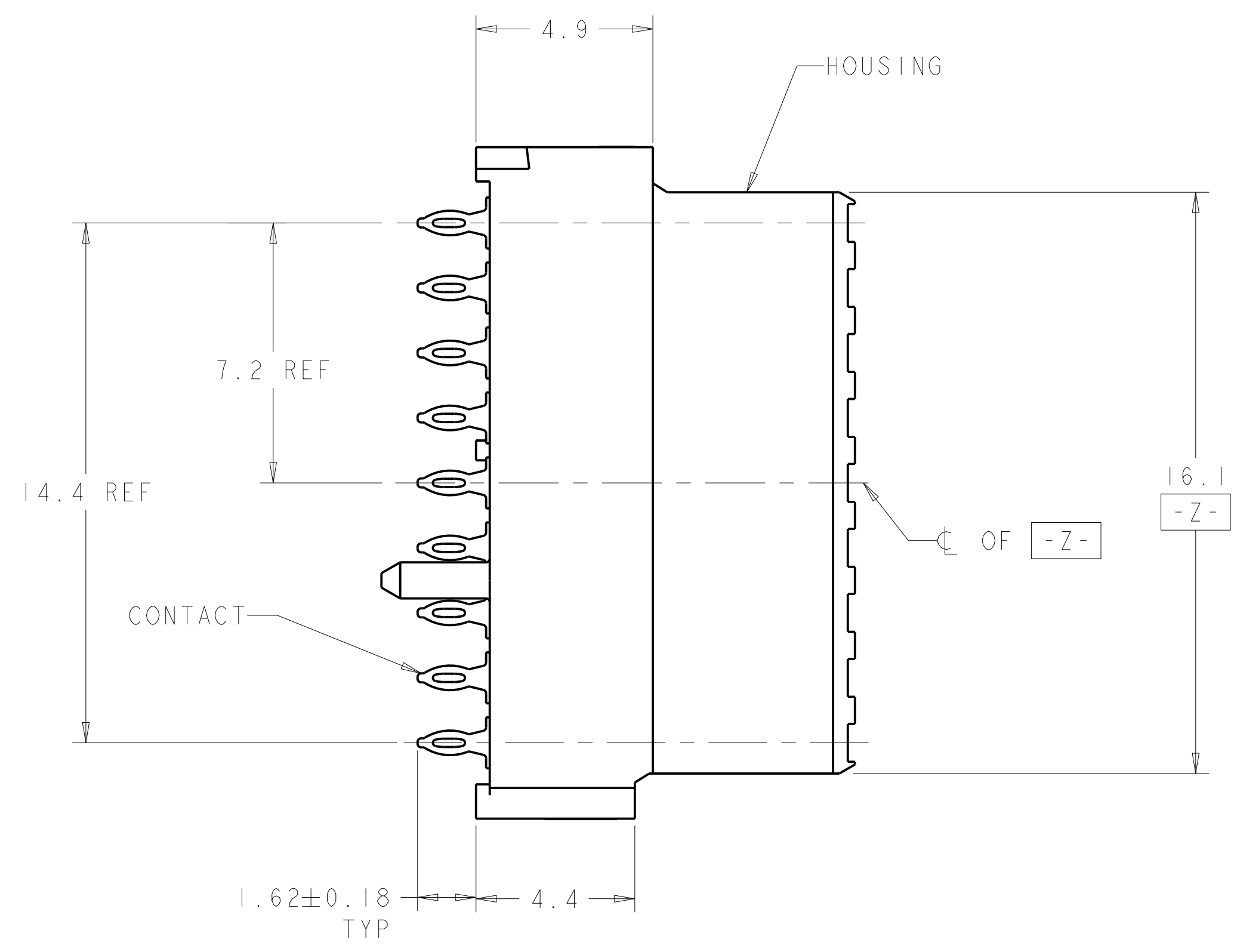
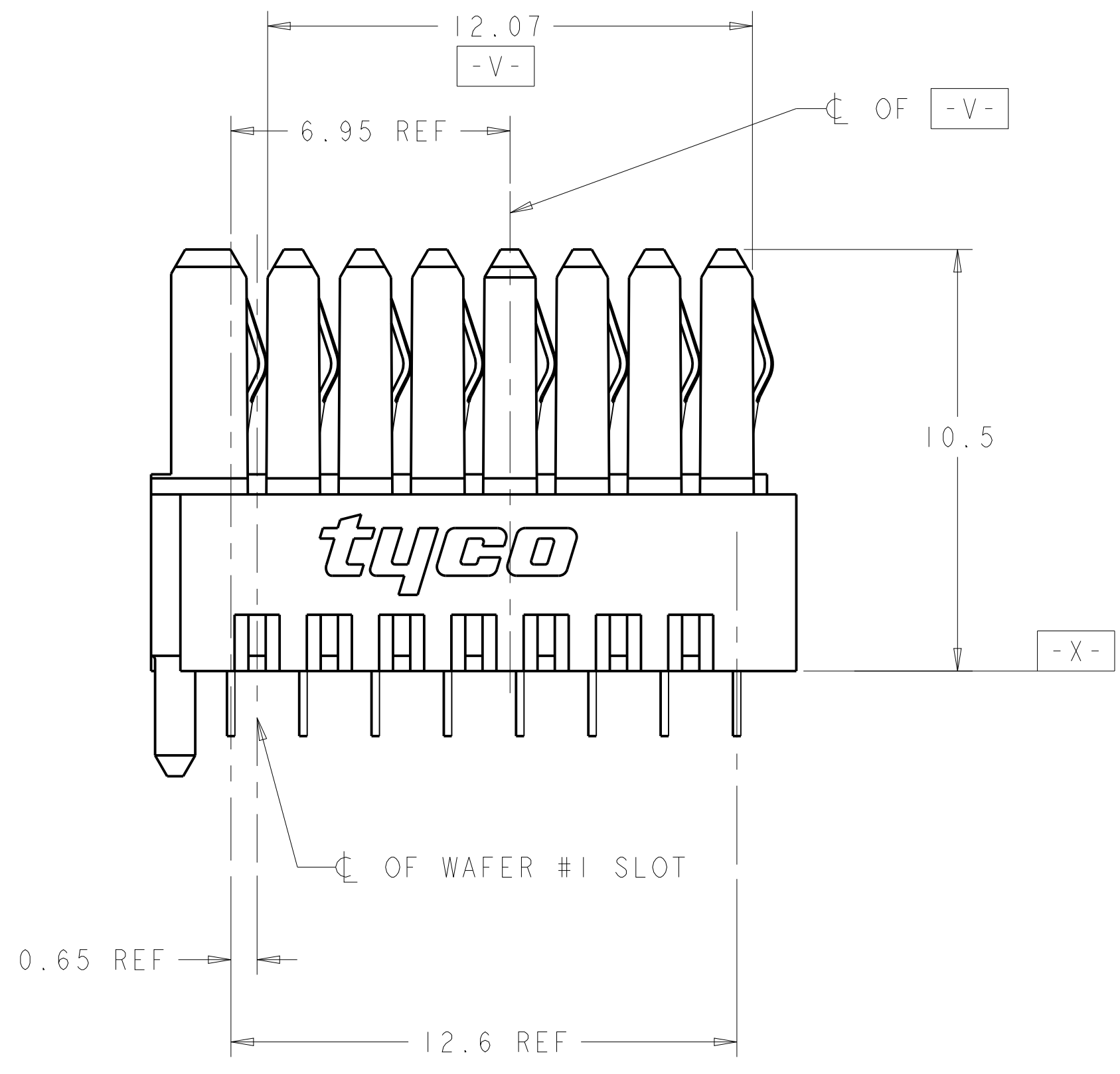
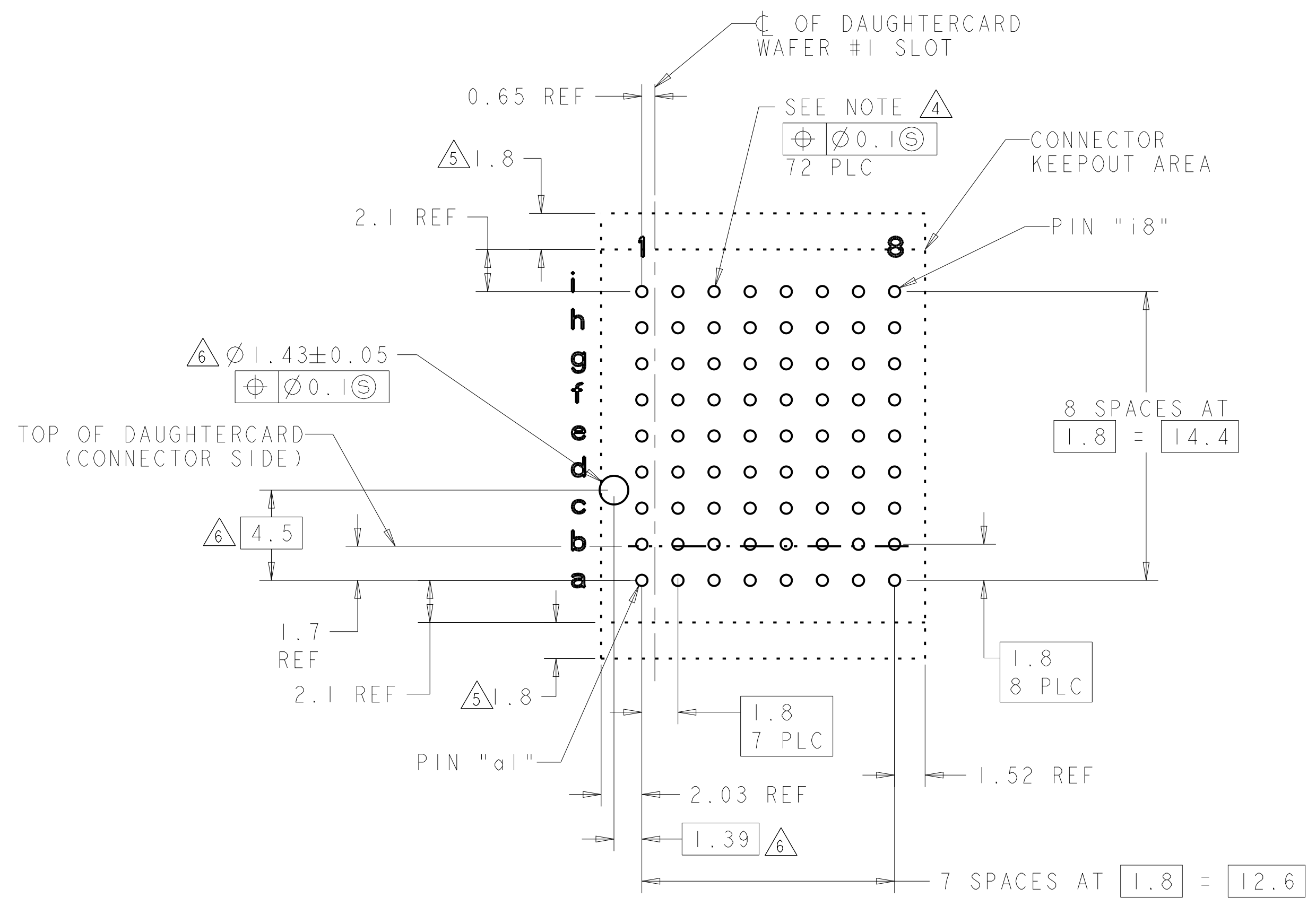


LOC		DIST		REVISIONS			
				DESCRIPTION	DATE	DWN	APVD
		F	REV PER ECO	14-003443	3-21-14	CT	DH



- 1 HOUSING: LCP, UL94V0, COLOR: BLACK. CONTACT: PHOSPHOR BRONZE.
- 2 FINISH: 1.27µm GOLD IN CONTACT AREA 1.27µm MIN. TIN-LEAD ON PCB TAIL OVER 3.81µm MIN. NICKEL OVER ALL.
- 3 FINISH: 1.27µm GOLD IN CONTACT AREA 1.27µm MIN. TIN ON PCB TAIL OVER 3.81µm MIN. NICKEL OVER ALL.
- 4 PLATED THROUGH HOLE PER TE SPEC. 114-13056, FIGURE 4.
- 5 ADDITIONAL CONNECTOR-SIDE KEEP-OUT AREA REQUIRED IF CONNECTOR-SIDE EXTRACTION TOOL IS TO BE USED.
- 6 PLASTIC ALIGNMENT PIN MUST BE REMOVED FLUSH TO HOUSING BODY PRIOR TO INSERTION INTO RTM LAYOUT



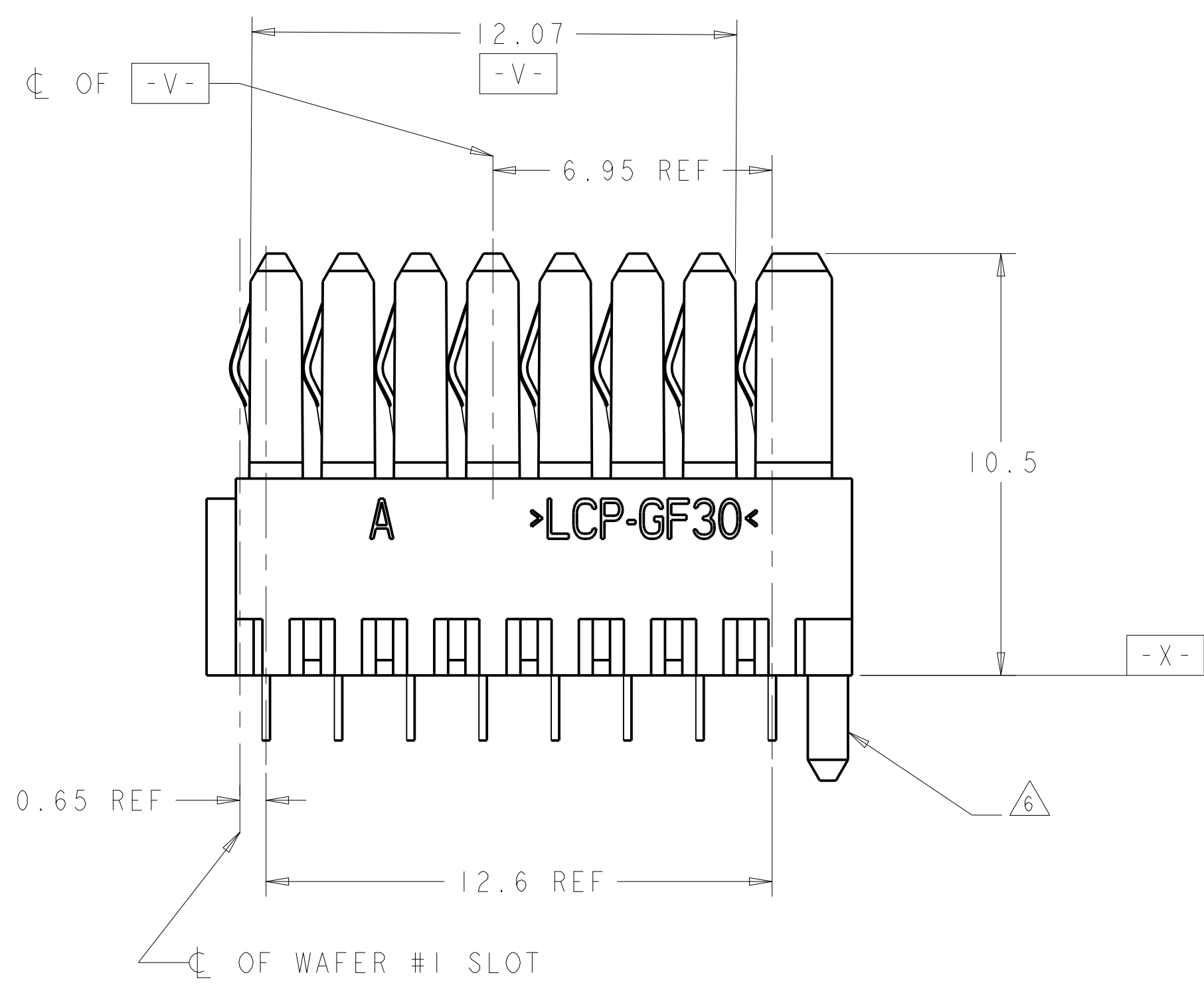
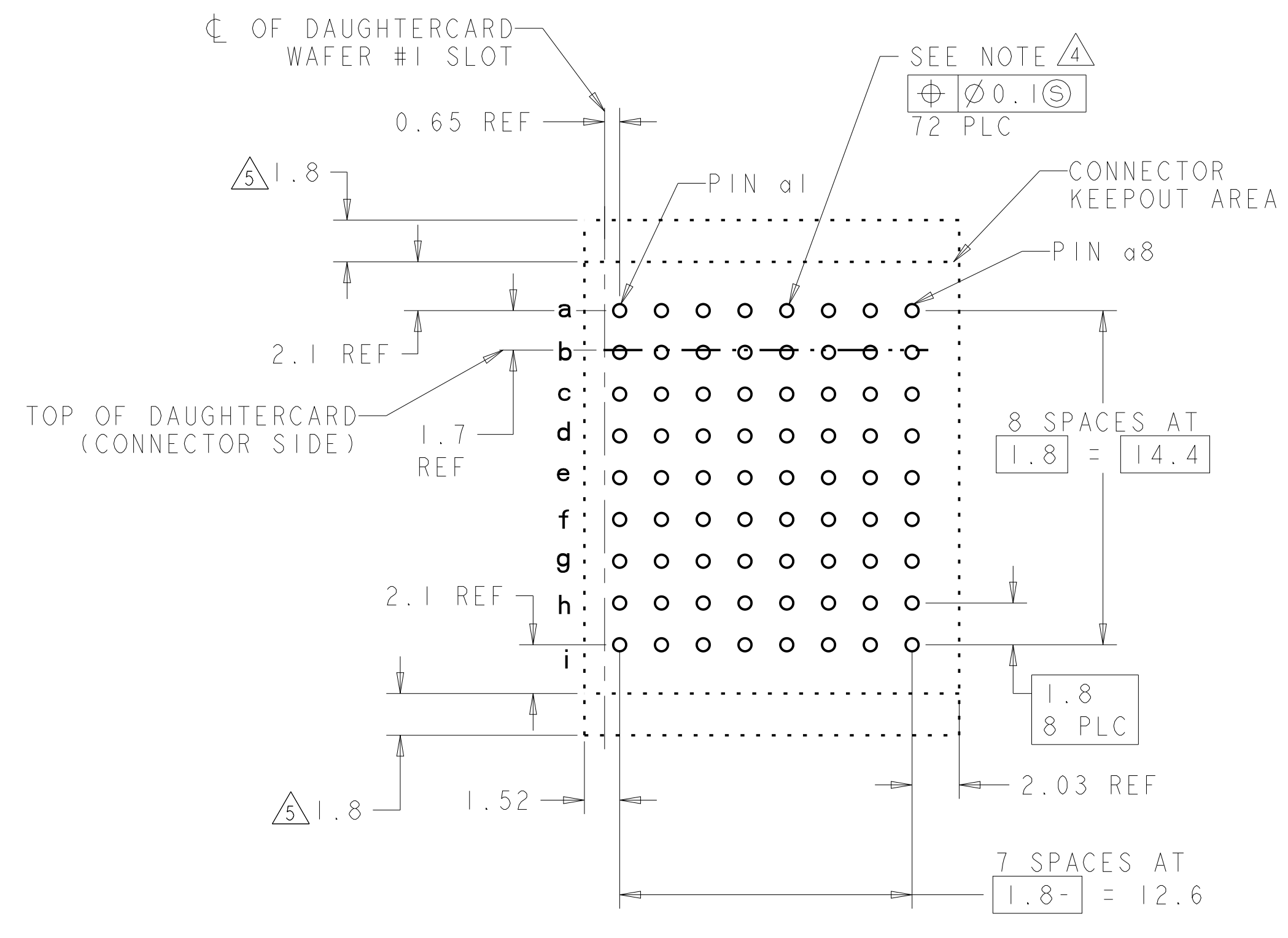
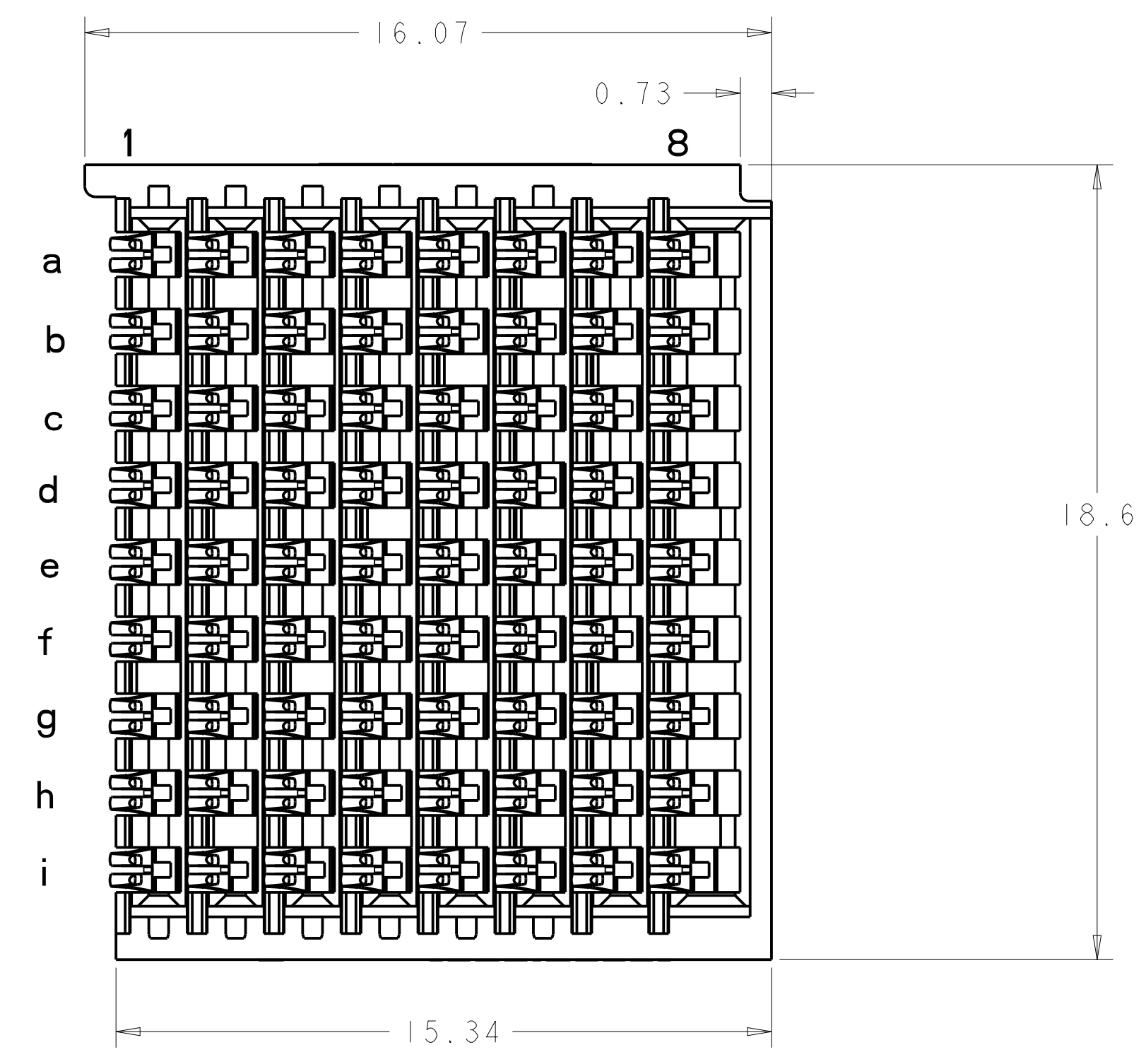
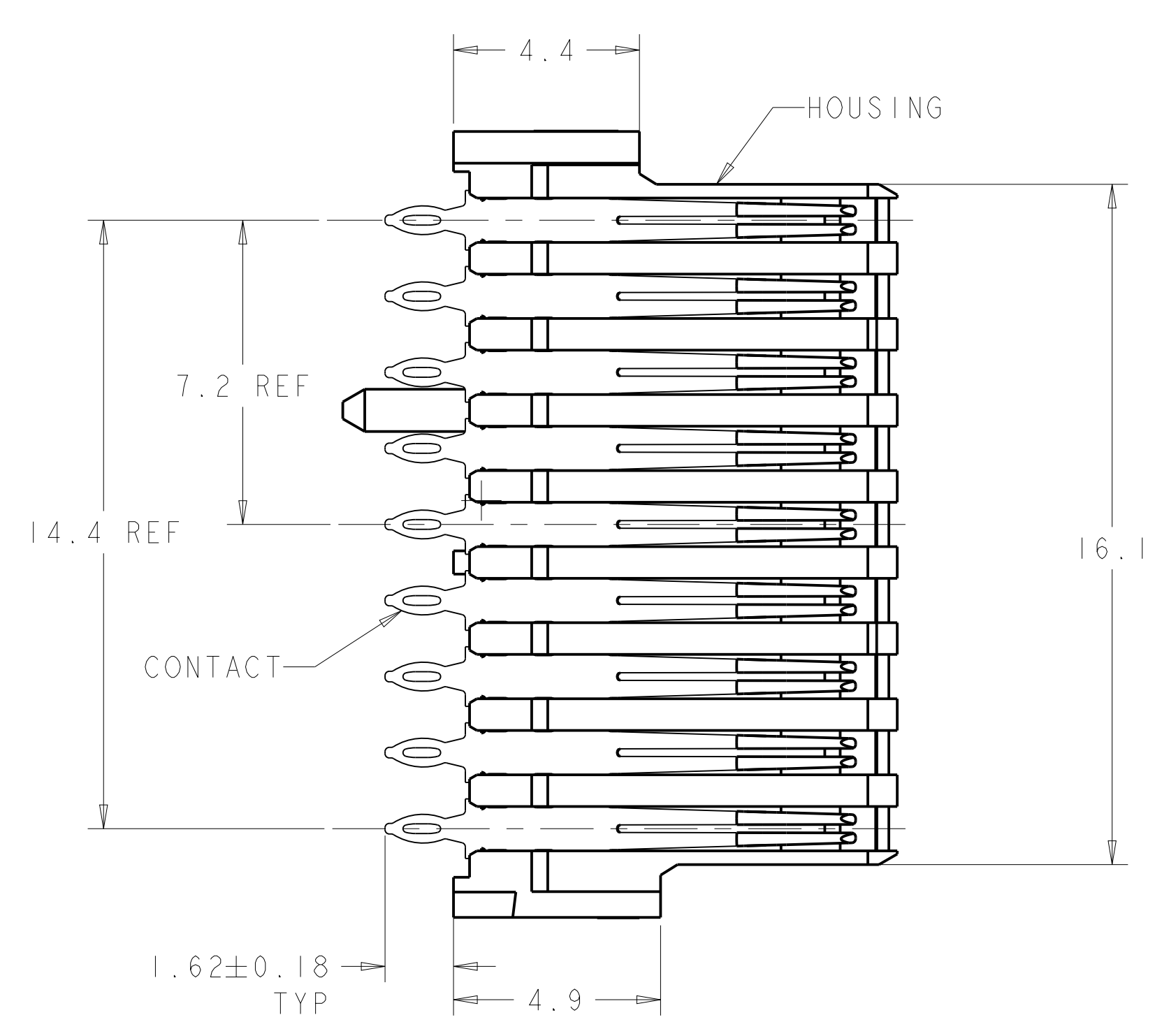
PC BOARD LAYOUT (CONNECTOR SIDE)
SEE SHEET 2 FOR RTM)
SCALE 5:1

3	1410186-2
2	1410186-1
PLATING	PART NO

THIS DRAWING IS A CONTROLLED DOCUMENT.		DWN	30SEP2003	TE Connectivity
DIMENSIONS: mm		EL SIPE	30SEP2003	
TOLERANCES UNLESS OTHERWISE SPECIFIED:		CHK	J.CONSO1	NAME CONNECTOR ASSEMBLY, BACKPLANE VERTICAL RECEPTACLE, HALF, LEFT END, 20.3mm, MultiGig RT 2
0 PLC ±0.5		APVD	30SEP2003	
1 PLC ±0.13		PRODUCT SPEC	108-2072	SIZE CAGE CODE DRAWING NO A100779C=1410186
2 PLC ±0.13		APPLICATION SPEC	114-13056	
3 PLC ±0.13		WEIGHT		RESTRICTED TO SCALE 8:1 SHEET 1 OF 2 REV F
4 PLC ±0.13		CUSTOMER DRAWING		
ANGLES ±1°				
FINISH				
SEE TABLE				

LOC		DIST		REVISIONS			
GP	00	P	LTN	DESCRIPTION	DATE	DWN	APVD
		-		SEE SHEET 1			

REAR TRANSITION MODULE APPLICATION



RTM PC BOARD LAYOUT (CONNECTOR SIDE) SCALE 5:1

THIS DRAWING IS A CONTROLLED DOCUMENT.		DWN	30SEP2003		TE Connectivity
DIMENSIONS:		CHK	30SEP2003		NAME
mm	TOLERANCES UNLESS OTHERWISE SPECIFIED:	APVD	30SEP2003	CONNECTOR ASSEMBLY, BACKPLANE	
0 PLC	±	PRODUCT SPEC		VERTICAL RECEPTACLE, HALF, LEFT END,	
1 PLC	±0.5	108-2072		20.3mm, MultiGig RT 2	
2 PLC	±0.13	APPLICATION SPEC		SIZE	
3 PLC	±	114-13056		CAGE CODE	
4 PLC	±	WEIGHT		DRAWING NO	
ANGLES	±1°	A100779		C=1410186	
MATERIAL	FINISH	CUSTOMER DRAWING		RESTRICTED TO	
SEE TABLE		SCALE		SHEET	
		8:1		2 OF 2	
				REV F	

Mouser Electronics

Authorized Distributor

Click to View Pricing, Inventory, Delivery & Lifecycle Information:

[TE Connectivity:](#)

[1410186-2](#)