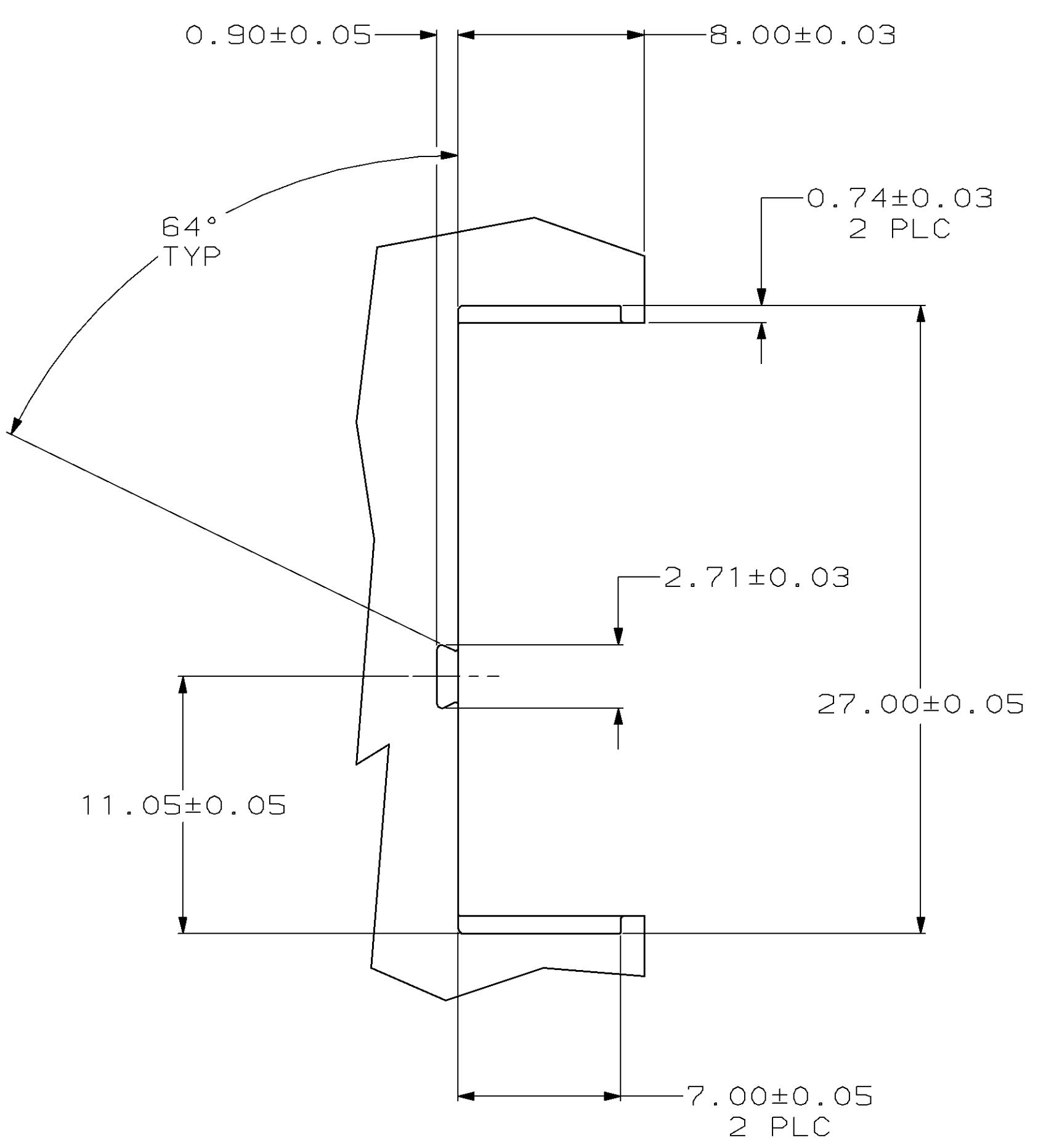
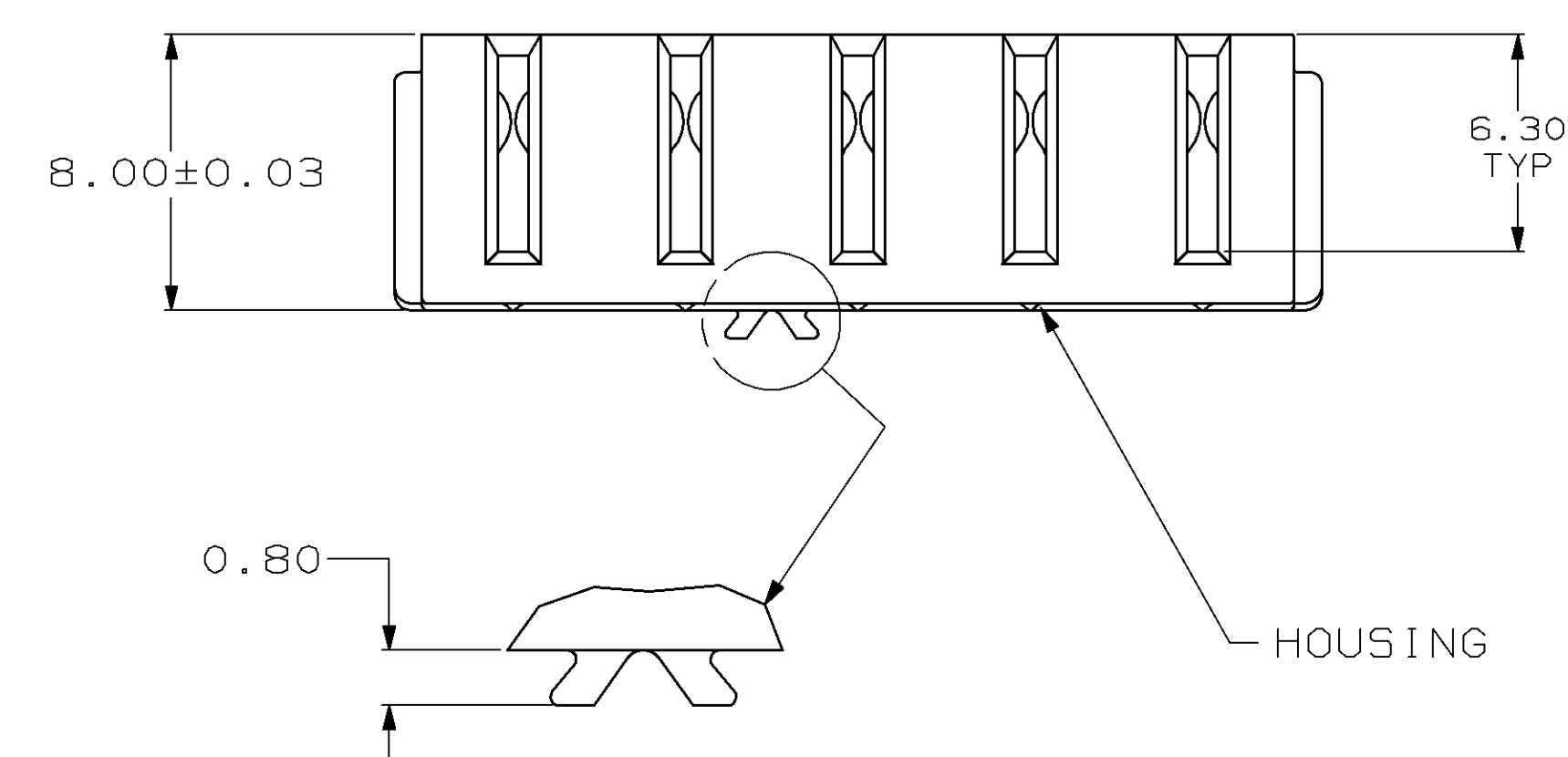
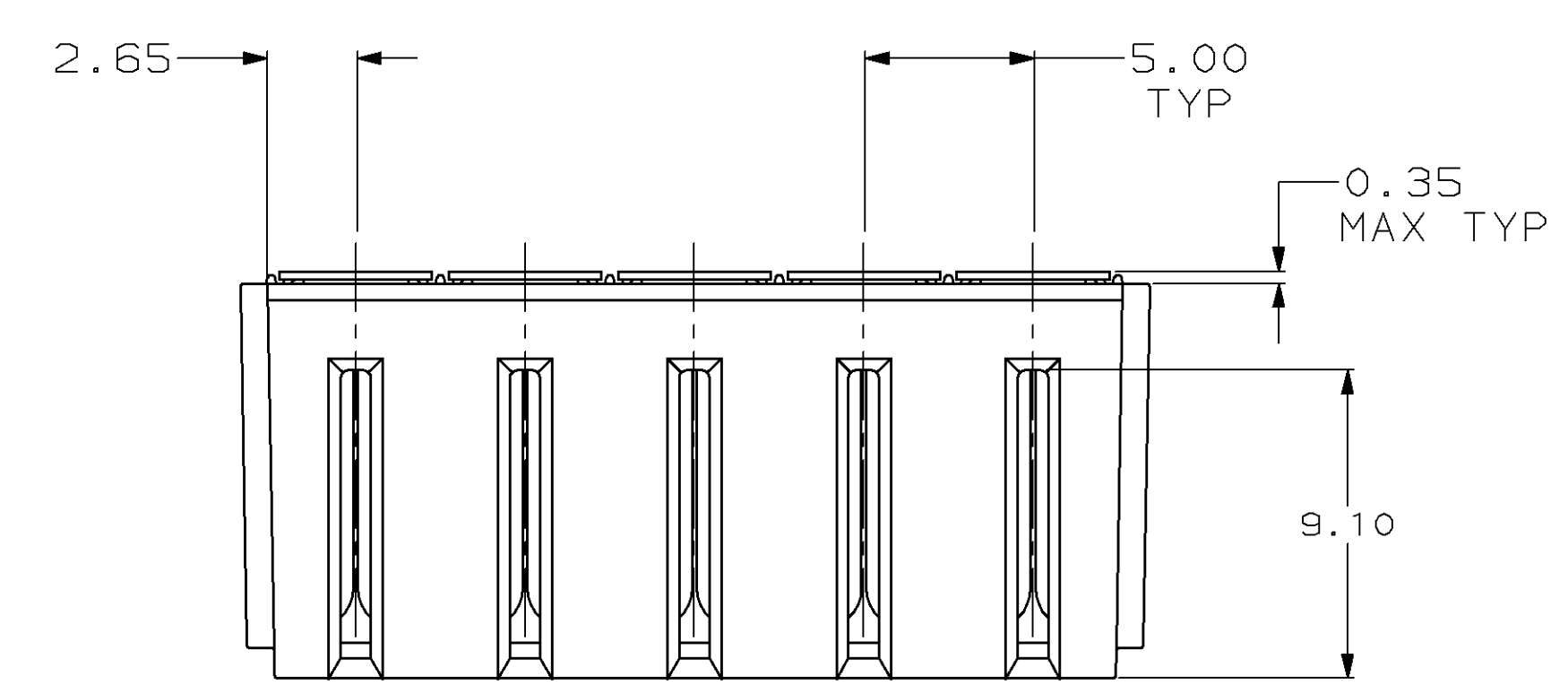
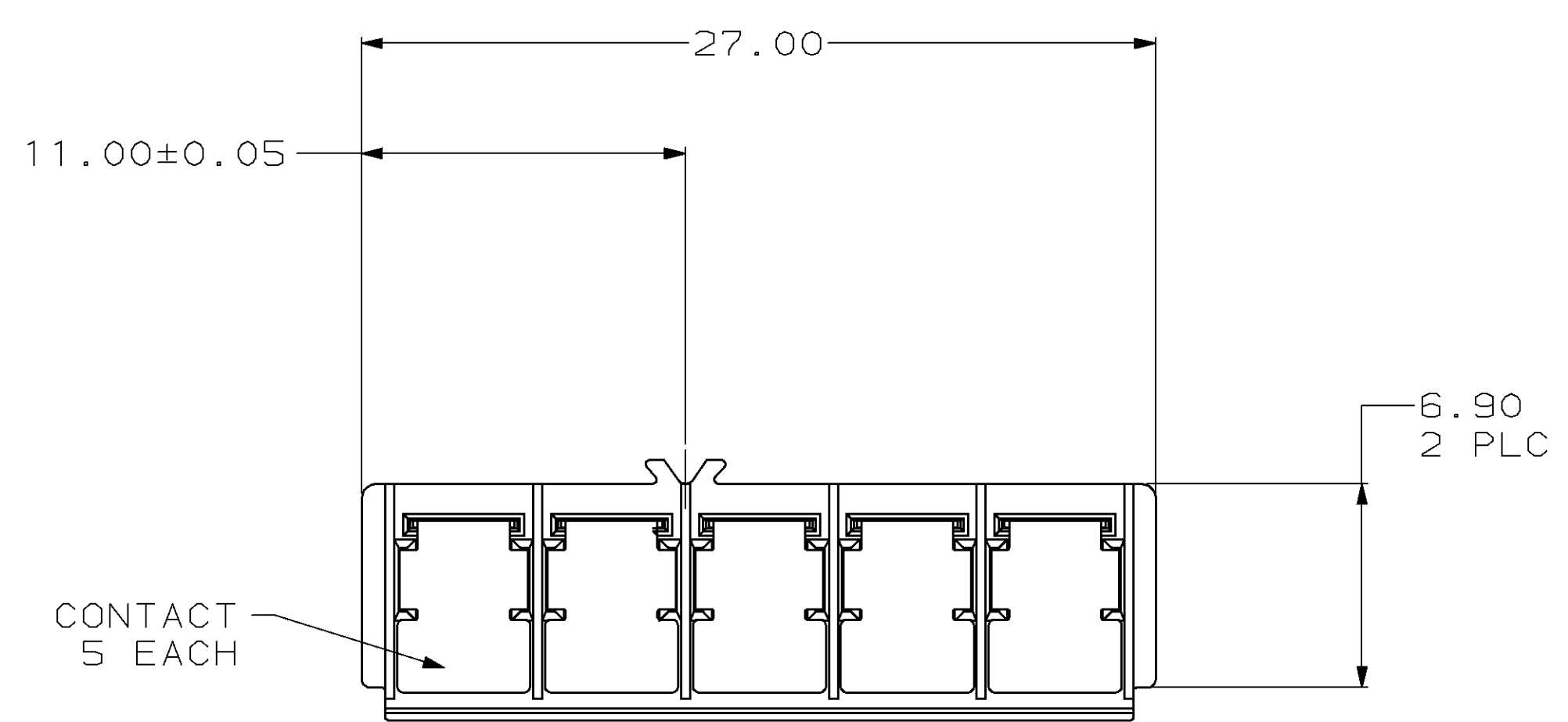
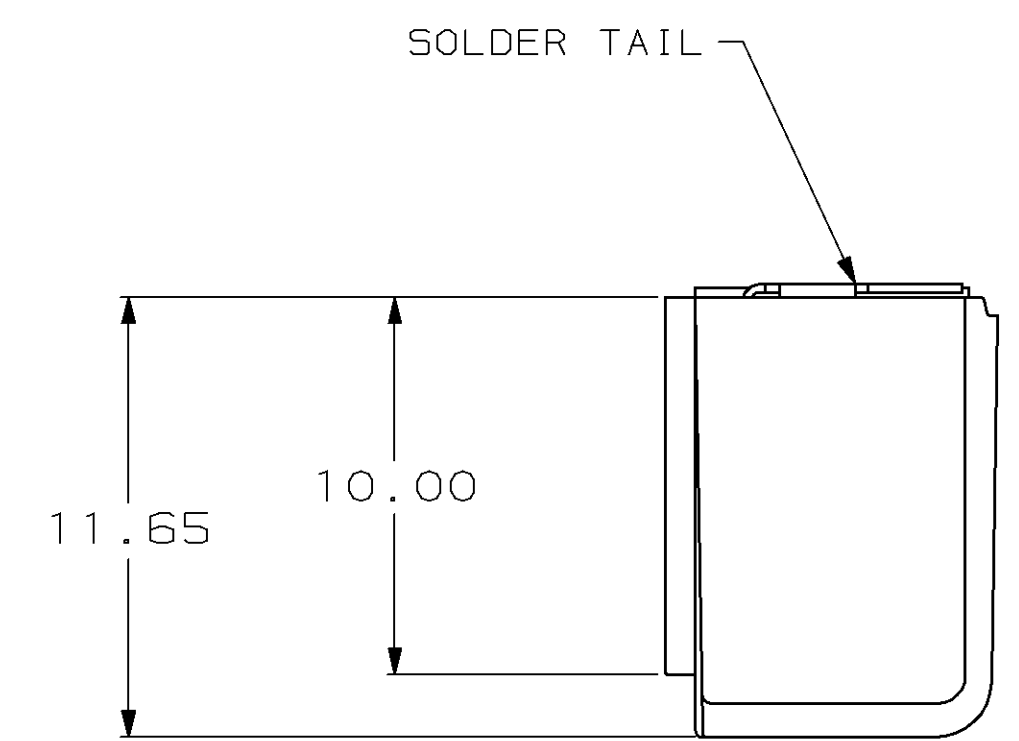


LOC	DIST	REVISIONS			
P	LTR	DESCRIPTION	DATE	DWN	APVD
AR	0				
	0	RELEASED	5/15/97	JR	CB
	A	REV PER 0410-0264-97	7/23/97	JR	CB
	B	REV PER EC 061C-0074-98	29 MAY 98	CD	DW



SUGGESTED CAVITY

- ① HOUSING: POLYPHTHALAMIDE, BLACK.
CONTACTS: PHOSPHOR BRONZE.
- ② CONTACTS: 1.30 μm MIN TIN-LEAD ON SOLDER TAIL OVER
1.90 μm MIN NICKEL ALL OVER.



SCALE 10:1

146845-1
PART NUMBER

THIS DRAWING IS A CONTROLLED DOCUMENT.		DWN J. REED 4/28/97	AMP Incorporated Harrisburg, PA 17105-3508	
DIMENSIONS: mm (INCHES)		CHK C. BAKER 4/28/97	AMP C. BAKER 4/28/97	
TOLERANCES UNLESS OTHERWISE SPECIFIED:		NAME INSERT ASSEMBLY, KEYLESS, 5 POSITION, BATTERY INTERCONNECT		
0 PLC ±	1 PLC ±	PRODUCT SPEC 108-1501		
2 PLC ±0.10	3 PLC ±	APPLICATION SPEC		
4 PLC ±	ANGLES ±2°	SIZE A1	CAGE CODE 00779	DRAWING NO 146845
MATERIAL	FINISH	WEIGHT	SCALE 5:1	SHEET 1 OF 1
CUSTOMER DRAWING		REV B		

Mouser Electronics

Authorized Distributor

Click to View Pricing, Inventory, Delivery & Lifecycle Information:

[TE Connectivity:](#)

[146845-1](#)