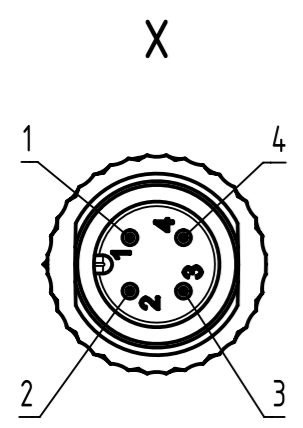


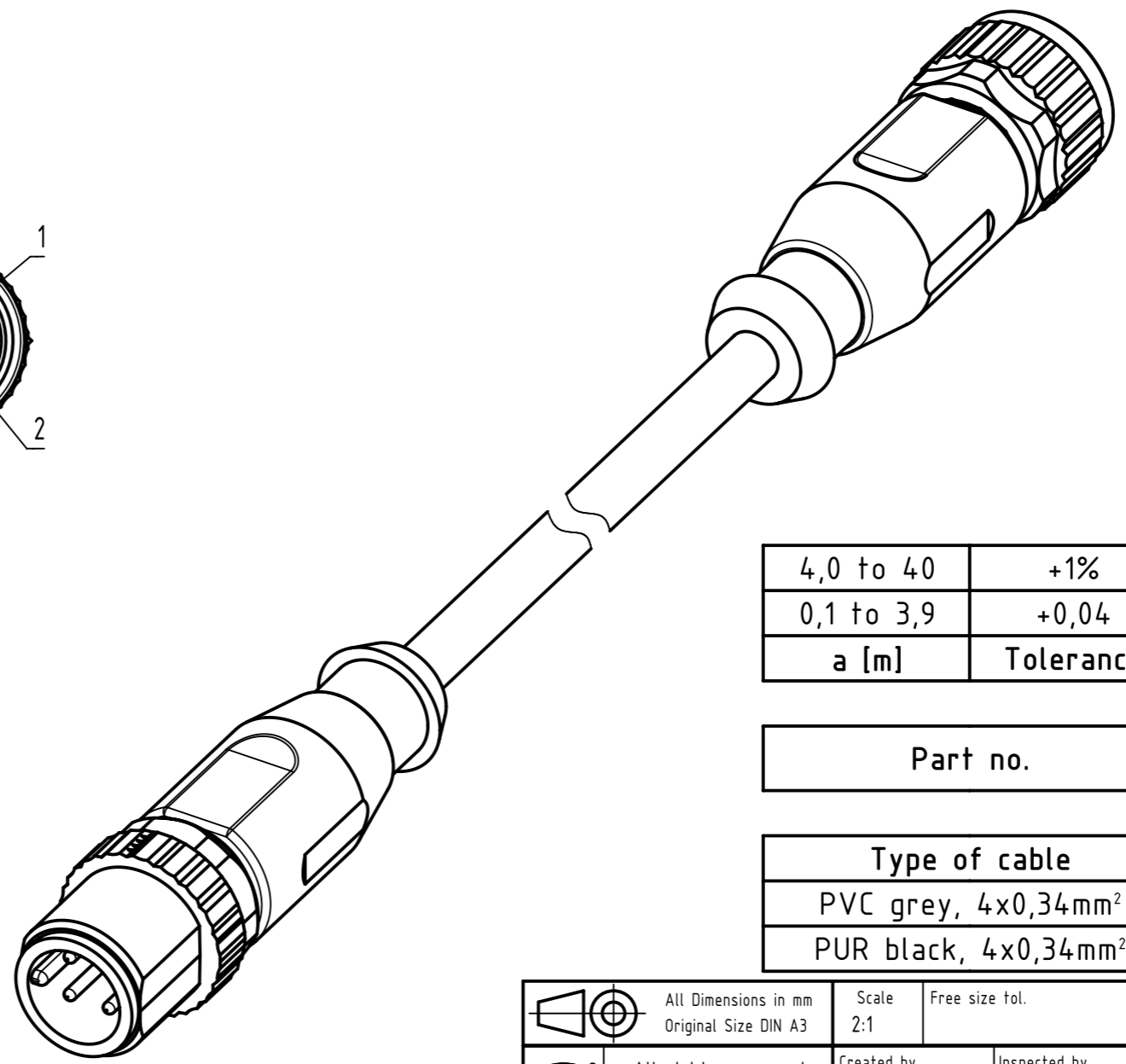
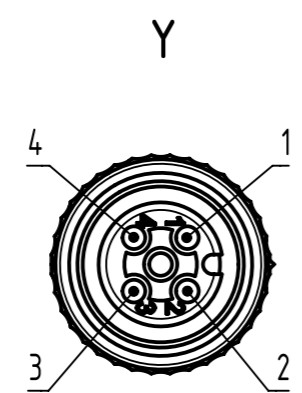
M12 A-coded 4-poles, male straight connector

M12 A-coded 4-poles, female straight connector



Loading-Plan:

- 1 brown
- 2 white
- 3 blue
- 4 black



length in "1m" step	40	XXX=400
	39	XXX=390
	.	.
	12	XXX=120
length in "0,1m" step	11	XXX=110
	10	XXX=100
	9,9	XXX=099
	9,8	XXX=098
	.	.
	0,4	XXX=004
	0,3	XXX=003
	0,2	XXX=002
	0,1	XXX=001
Step	a [m]	XXX

4,0 to 40	+1%
0,1 to 3,9	+0,04
a [m]	Tolerance

Part no.	213484854XXXX
----------	---------------

Type of cable	XX
PVC grey, 4x0,34mm ²	XX=84
PUR black, 4x0,34mm ²	XX=91

- Protection level: IP67
 - Temperature range: -25°C ... +80°C

All rights reserved Department EC PD - RO HARTING Electronics GmbH D-32339 Espelkamp		All Dimensions in mm Original Size DIN A3 Scale 2:1 Free size tol.	Created by TOMUTA Inspected by AVRAM Standardisation HOFFMANN Title M12 A-coded Cable Assembly Type TB Number 213484854XXXX	Date 2014-07-29 State Final Release Doc-Key / ECM-Nr. 100578626/UGD/009/B 50000078282 Rev. B Page 1/1
---	--	---	--	---

Mouser Electronics

Authorized Distributor

Click to View Pricing, Inventory, Delivery & Lifecycle Information:

[HARTING:](#)

[21348485484010](#) [21348485484050](#)