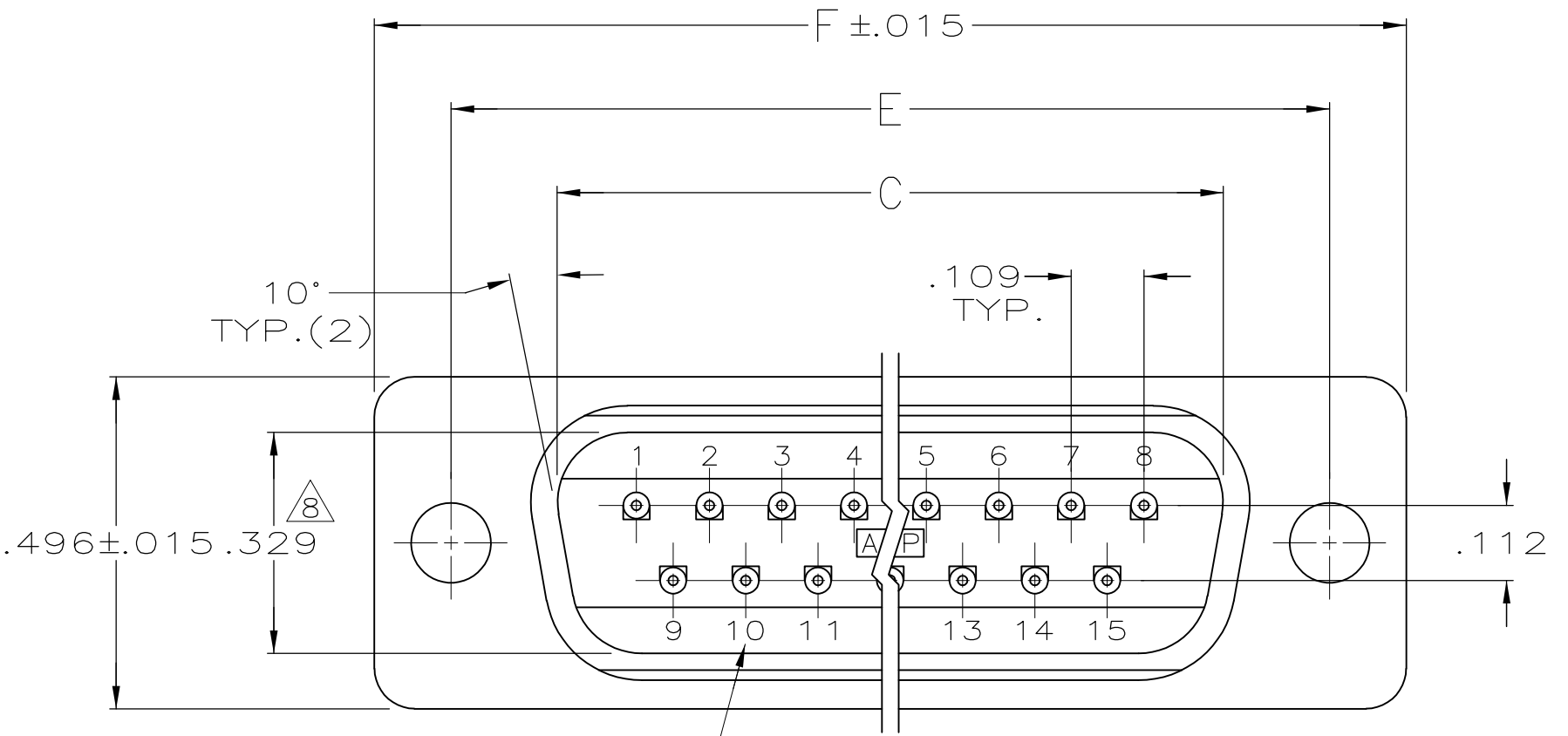
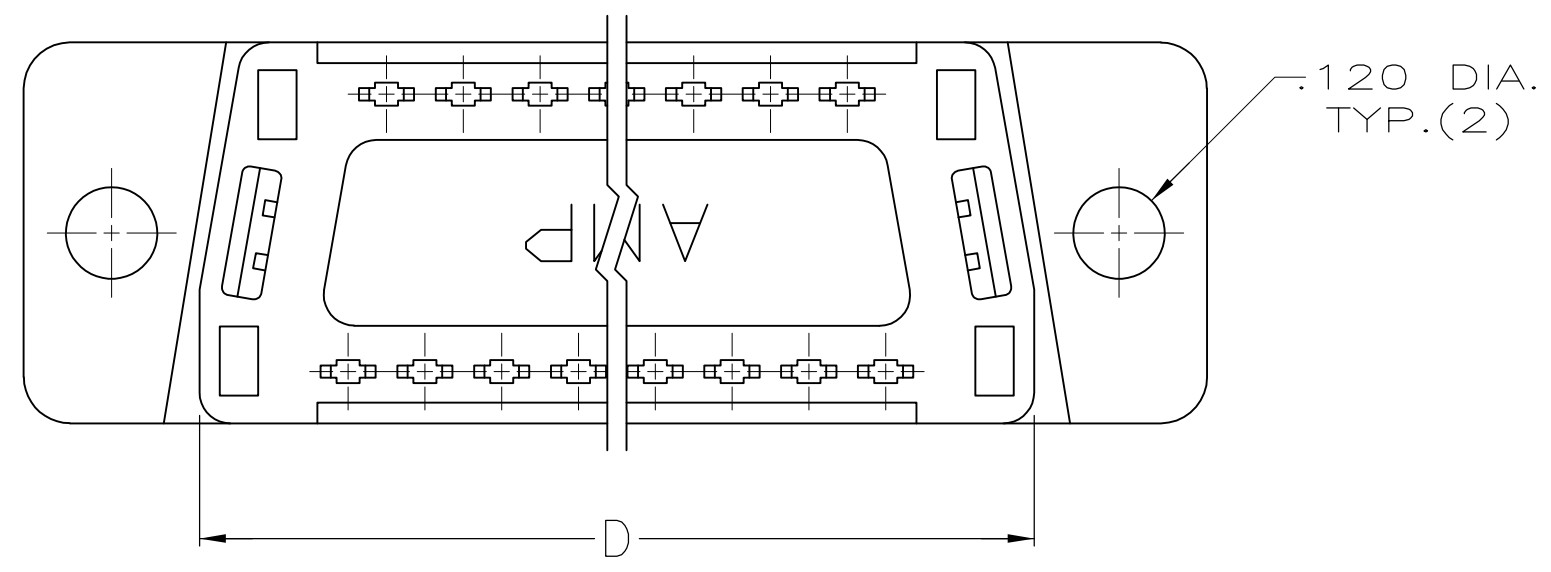
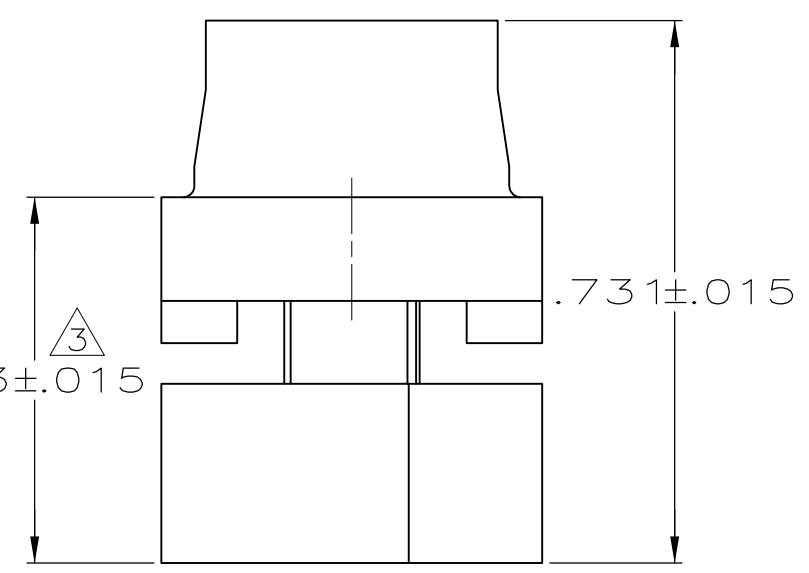
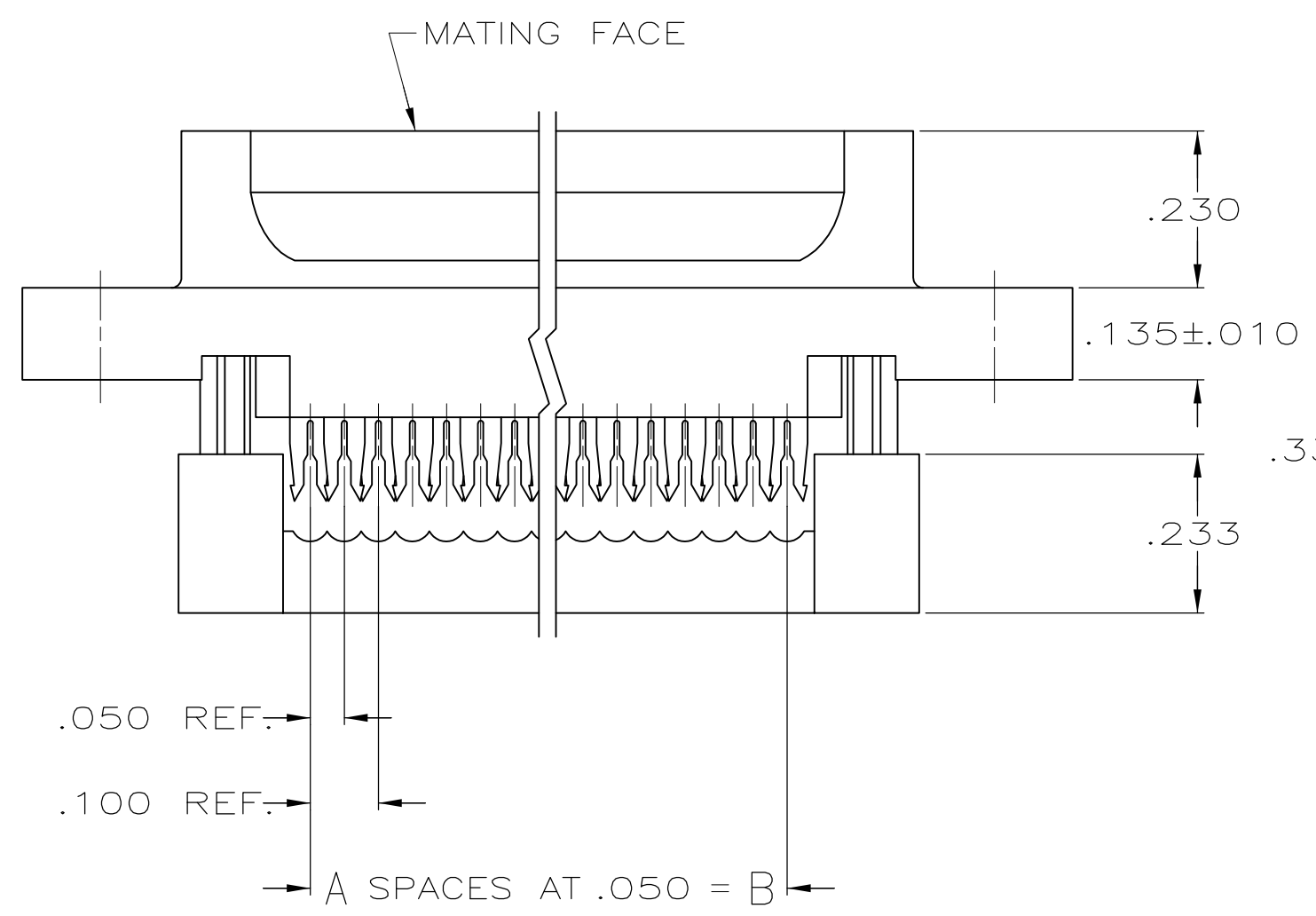


THIS DRAWING IS UNPUBLISHED. RELEASED FOR PUBLICATION
 © COPYRIGHT - By - ALL RIGHTS RESERVED.

LOC		DIST		REVISIONS			
P	LTR	DESCRIPTION	DATE	DWN	APVD		
GP	00	B1	REVISED PER ECO-11-004835	11MAR11	RK	HMR	



RAISED CAVITY IDENTIFICATION
(15 POSITION SHOWN)



- CONNECTORS COMPLY WITH AMP SPEC. 108-40,012 AND MATE WITH ANY SAME NUMBER POSITION RECEPTACLE CONNECTOR IN AMPLIMITE SERIES.
- CONNECTOR DESIGNED FOR 28 AND 26 AWG STRANDED AND SOLID CONDUCTOR RIBBON CABLE ON .050 ϕ .
- DIMENSION APPLIES TO TERMINATED CONNECTOR.
- MOLDED PARTS: FLAME RETARDANT 94V-0 RATED THERMOPLASTIC; COLOR: BLACK.
- CONTACTS: PHOS. BRONZE PER QQ-B-750.
- GOLD PLATING PER MIL-G-45204, TIN PLATING PER MIL-T-10727, NICKEL PLATING PER QQ-N-290.
- CONTACTS:
 .000030 GOLD ON MATING END, .000100-.000200 MATTE TIN ON TERMINATION END, ALL OVER .000050 NICKEL ON ENTIRE CONTACT.
 OR
 GOLD FLASH OVER PALLADIUM-NICKEL ON MATING END, .000030 MIN TOTAL, .000100-.000200 MATTE TIN ON TERMINATION END, ALL OVER .000050 NICKEL ON ENTIRE CONTACT.
- DIMENSION APPLIES TO BASE OF SHROUD.

1.216	.984	.759	.666	.400	8	9	1658615-4
1.541	1.312	1.087	.994	.700	14	15	1658615-3
2.090	1.852	1.623	1.534	1.200	24	25	1658615-2
2.732	2.500	2.275	2.183	1.800	36	37	1658615-1
F	E	D	C	B	A	NO.OF POS.	PART NUMBER

THIS DRAWING IS A CONTROLLED DOCUMENT.

DWN	L. BAUM	6/13/03		TE Connectivity		
CHK	C. ROHDE	6/13/03				
APVD	M. WALMSLEY	6/13/03				
NAME	PLUG ASSEMBLY, LEAD-FREE, AMPLIMITE HDF					
DIMENSIONS:	TOLERANCES UNLESS OTHERWISE SPECIFIED:	PRODUCT SPEC	SIZE	CAGE CODE	DRAWING NO	RESTRICTED TO
INCHES	0 PLC ± -	APPLICATION SPEC	A2	00779	C=1658615	-
	1 PLC ± -	WEIGHT	SCALE 4:1		SHEET 1 of 1	REV B1
	2 PLC ± -	CUSTOMER DRAWING				
	3 PLC ± .005					
	4 PLC ± -					
	ANGLES ± 2°					
	FINISH					

Mouser Electronics

Authorized Distributor

Click to View Pricing, Inventory, Delivery & Lifecycle Information:

[TE Connectivity:](#)

[1658615-3](#)