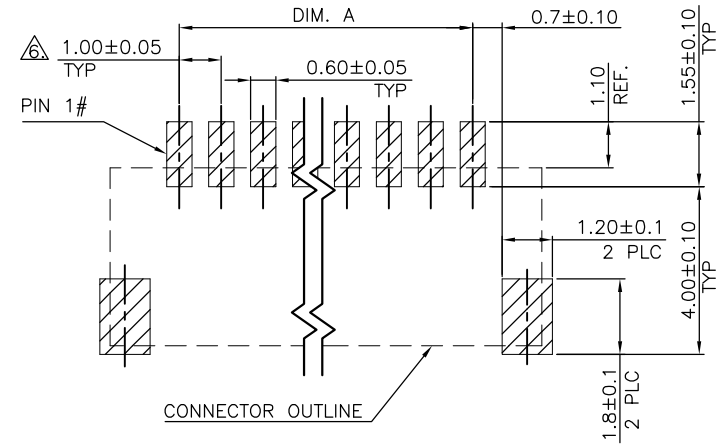
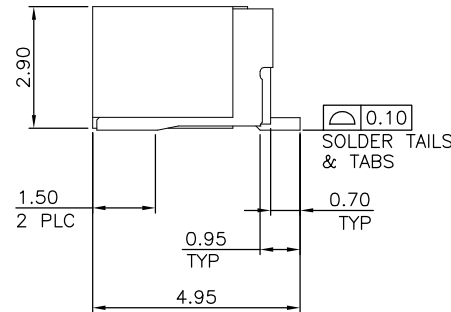
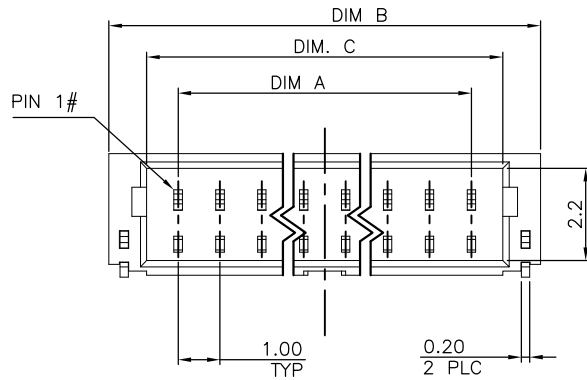
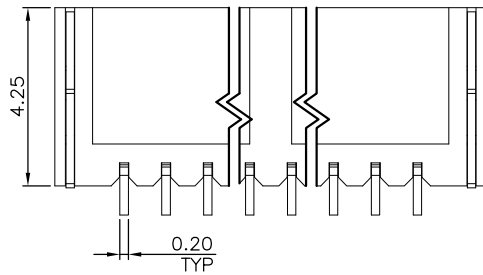


| P | LTR | DESCRIPTION | DATE | DWN | APVD |
|----|-----|---------------------------|---------|-----|------|
| B1 | | REVISED PER ECO-11-005301 | 07MAR11 | RK | HMR |



RECOMMENDED PCB LAYOUT
(COMPONENT SIDE) TOLERANCE: ±0.05



- NOTE:
- MATERIAL:
HOUSING: THERMOPLASTIC WITH 30% G/F, UL 94V-0, NATURE COLOR.
CONTACTS: PHOSPHOR BRONZE.
TABS: BRASS.
 - FINISH:
CONTACT: 3.048µm (120µ") MIN. MATTE-TIN OVER
1.27µm (50µ") MIN. NICKEL ON ENTIRE CONTACT.
TABS: 3.048µm (120µ") MIN. MATTE-TIN OVER
1.27µm (50µ") MIN. NICKEL ON ENTIRE CONTACT.
 - REFLOW SOLDER CAPABLE TO 260°C PER TE CONNECTIVITY SPEC. 109-201, CONDITION B.
 - NO TE LOGO AND DATE CODE ON THE PRODUCT.
 - PART NO. OF RECEPTACLE CONTACT & HOUSING (BASE NO.#): 1734597 & 1470364.
- △ NO ACCUMULATE TOLERANCE.

| WEIGHT | C | B | A | NO. OF CONTACTS | PART NUMBER |
|--------|-------|-------|-------|-----------------|-------------|
| 0.21g | 15.50 | 17.30 | 14.00 | 15 | 1-1734709-5 |
| 0.20g | 14.50 | 16.30 | 13.00 | 14 | 1-1734709-4 |
| 0.19g | 13.50 | 15.30 | 12.00 | 13 | 1-1734709-3 |
| 0.17g | 12.50 | 14.30 | 11.00 | 12 | 1-1734709-2 |
| 0.16g | 11.50 | 13.30 | 10.00 | 11 | 1-1734709-1 |
| 0.15g | 10.50 | 12.30 | 9.00 | 10 | 1-1734709-0 |
| 0.14g | 9.50 | 11.30 | 8.00 | 9 | 1734709-9 |
| 0.12g | 8.50 | 10.30 | 7.00 | 8 | 1734709-8 |
| 0.11g | 7.50 | 9.30 | 6.00 | 7 | 1734709-7 |
| 0.10g | 6.50 | 8.30 | 5.00 | 6 | 1734709-6 |
| 0.09g | 5.50 | 7.30 | 4.00 | 5 | 1734709-5 |
| 0.08g | 4.50 | 6.30 | 3.00 | 4 | 1734709-4 |
| 0.07g | 3.50 | 5.30 | 2.00 | 3 | 1734709-3 |
| 0.05g | 2.50 | 4.30 | 1.00 | 2 | 1734709-2 |

THIS DRAWING IS A CONTROLLED DOCUMENT.

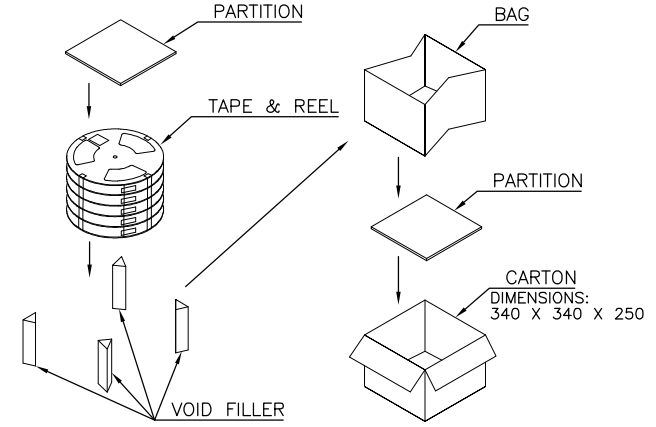
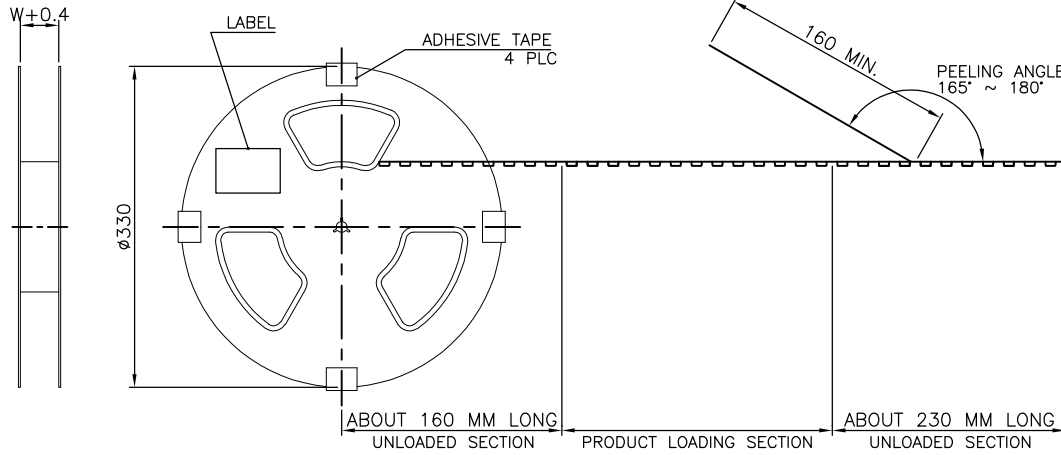
| | |
|---|--|
| DWN F. YANG 10APR2009 | TE Connectivity WIRE TO BOARD CONNECTOR SIDE ENTRY, SINGLE ROW, SMT TYPE |
| CHK S. CHIEN 10APR2009 | |
| APVD W. KODAMA 10APR2009 | |
| DIMENSIONS: MM | TOLERANCES UNLESS OTHERWISE SPECIFIED: 0 PLC ± - 1 PLC ± - 2 PLC ± 0.25 3 PLC ± 0.15 4 PLC ± - ANGLES ± 5° |
| MATERIAL SEE NOTE | FINISH SEE NOTE |
| NAME PRODUCT SPEC 108-57264 QUALIFICATION TEST REPORT 501-57283 | |
| CUSTOMER DRAWING | SIZE A3 CAGE CODE 00779 DRAWING NO. C-1734709 RESTRICTED TO - SCALE - SHEET 1 OF 3 REV B1 |

LOC DW

DIST

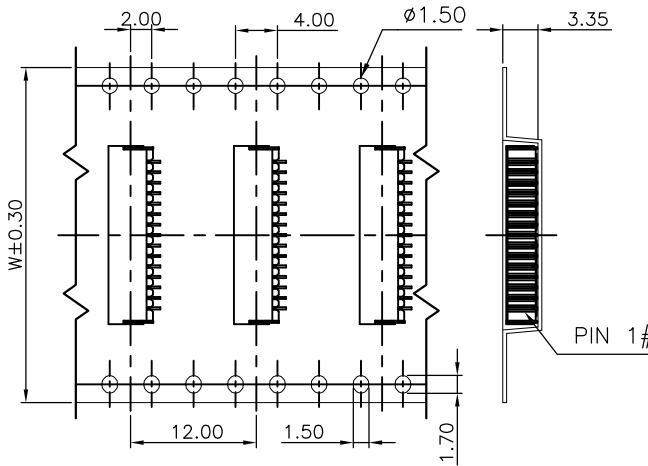
REVISIONS

| P | LTR | DESCRIPTION | DATE | DWN | APVD |
|---|-----|--------------|------|-----|------|
| - | - | SEE SHEET 1. | - | - | - |

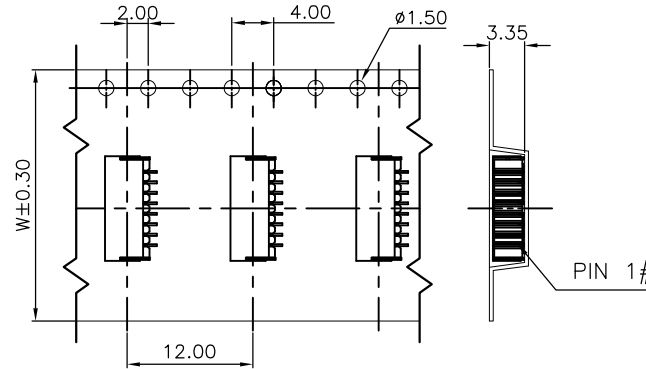


PULL OUT DIRECTION

PULL OUT DIRECTION



CARRIER FOR 15 PIN



CARRIER FOR 2 TO 5 PIN & 7 TO 14 PIN

| PCS/REEL | REELS/CARTON | QUANTITY | DIM W | G/W (KG) | N/W (KG) | NO. OF POS. |
|----------|--------------|----------|-------|----------|----------|-------------|
| 1500 | 6 | 9000 | 32 | 5.48 | 1.89 | 15 |
| | | | | 5.58 | 2.10 | 14 |
| | | | | 5.48 | 2.00 | 13 |
| | | | | 5.27 | 1.79 | 12 |
| | | | | 5.16 | 1.68 | 11 |
| | | | | 5.06 | 1.58 | 10 |
| 10 | 7 | 10500 | 24 | 4.95 | 1.47 | 09 |
| | | | | 4.66 | 1.26 | 08 |
| | | | | 4.64 | 1.16 | 07 |
| 10 | 10 | 15000 | 16 | 5.75 | 1.35 | 05 |
| | | | | 5.60 | 1.20 | 04 |
| | | | | 5.45 | 1.05 | 03 |
| | | | | 5.15 | 0.75 | 02 |

| | | | | | |
|--|---------------------------------------|------------------|---------------------------|--------|---------------|
| THIS DRAWING IS A CONTROLLED DOCUMENT. | | DWN | CHK | APVD | NAME |
| DIMENSIONS: MM | TOLERANCES UNLESS OTHERWISE SPECIFIED | PRODUCT SPEC | QUALIFICATION TEST REPORT | WEIGHT | RESTRICTED TO |
| | 0 PLC ± | - | - | - | - |
| | 1 PLC ± | - | - | - | - |
| | 2 PLC ± | - | - | - | - |
| | 3 PLC ± | - | - | - | - |
| | 4 PLC ± | - | - | - | - |
| | ANGLES ± | - | - | - | - |
| MATERIAL | FINISH | CUSTOMER DRAWING | | | |
| SEE NOTE | SEE NOTE | SCALE | SHEET | REV | |



TE Connectivity
WIRE TO BOARD CONNECTOR
SIDE ENTRY, SINGLE ROW, SMT TYPE

SIZE: A3 CAGE CODE: 00779 DRAWING NO: C-1734709

SHEET 2 of 3 REV B1

THIS DRAWING IS UNPUBLISHED.

RELEASED FOR PUBLICATION

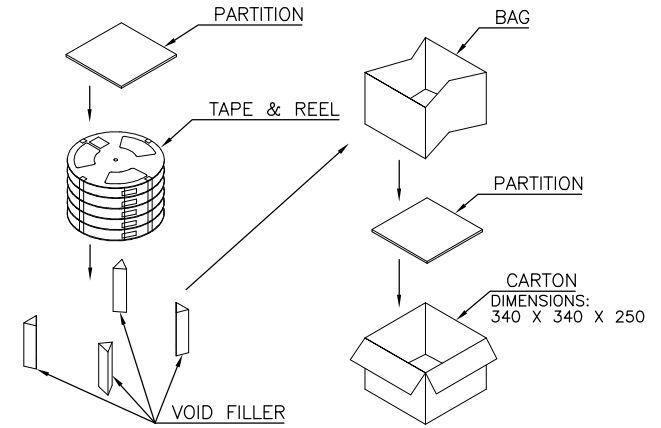
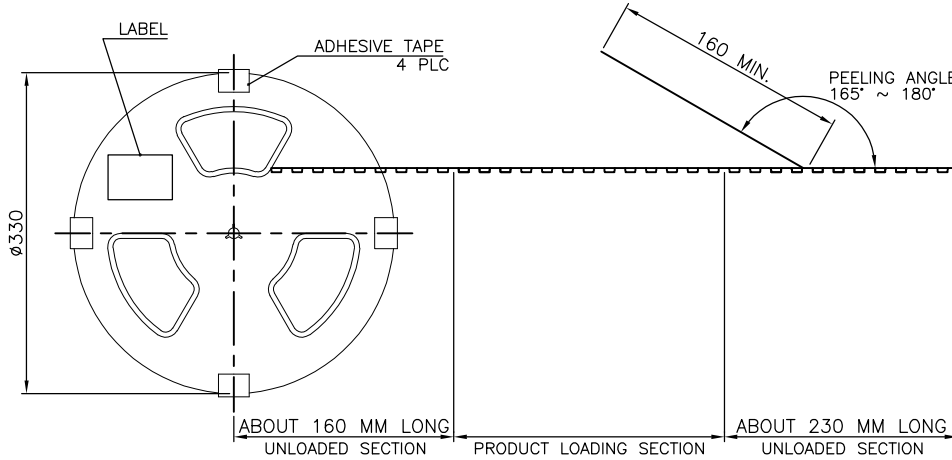
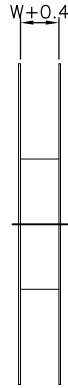
ALL RIGHTS RESERVED.

LOC DW

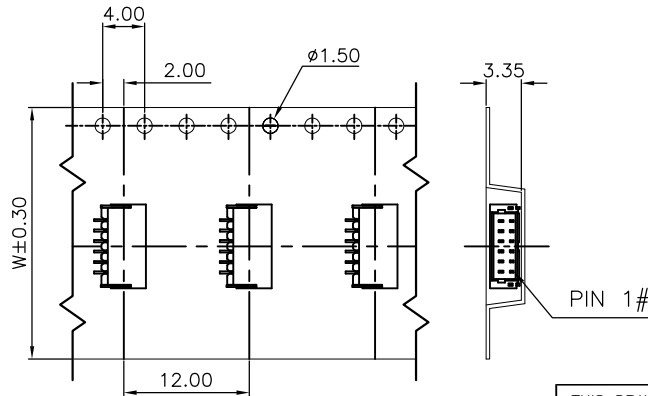
DIST

REVISIONS

| P | LTR | DESCRIPTION | DATE | DWN | APVD |
|---|-----|--------------|------|-----|------|
| - | - | SEE SHEET 1. | - | - | - |



PULL OUT DIRECTION



CARRIER FOR 6 PIN

| | | | | | | |
|----------|--------------|----------|-------|----------|----------|-------------|
| 2000 | 10 | 20000 | 16 | 6.40 | 2.00 | 06 |
| PCS/REEL | REELS/CARTON | QUANTITY | DIM W | G/W (KG) | N/W (KG) | NO. OF POS. |

| | | | | | | |
|--|--|---------------------------|---|--|--|--|
| THIS DRAWING IS A CONTROLLED DOCUMENT. | | DWN | STE TE Connectivity | | | |
| | | CHK | | | | |
| DIMENSIONS: MM | | APVD | NAME | | | |
| TOLERANCES UNLESS OTHERWISE SPECIFIED: | | PRODUCT SPEC | WIRE TO BOARD CONNECTOR SIDE ENTRY, SINGLE ROW, SMT TYPE | | | |
| 0 PLC ± - | | QUALIFICATION TEST REPORT | SIZE CAGE CODE DRAWING NO RESTRICTED TO | | | |
| 1 PLC ± - | | WEIGHT | A3 00779 C-1734709 | | | |
| 2 PLC ± - | | MATERIAL | CUSTOMER DRAWING | | | |
| 3 PLC ± - | | FINISH | SCALE SHEET 3 of 3 REV B1 | | | |
| 4 PLC ± - | | SEE NOTE | | | | |
| ANGLES ± - | | SEE NOTE | | | | |

Mouser Electronics

Authorized Distributor

Click to View Pricing, Inventory, Delivery & Lifecycle Information:

[TE Connectivity:](#)

[1734709-4](#)