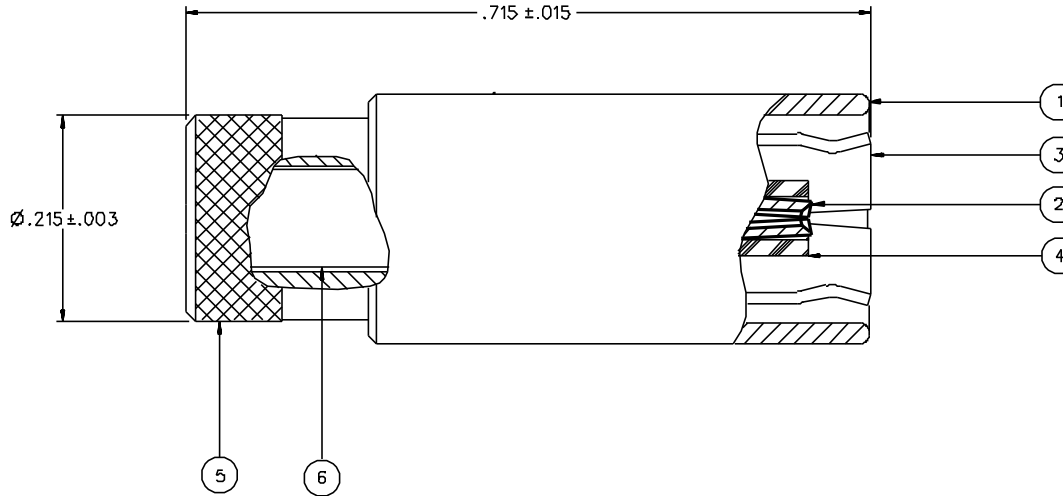


PART NUMBER	ITEM ① FRONT BODY	ITEM ② CONTACT	ITEM ③ INTERFACE	ITEM ④ INSULATOR	ITEM ⑤ REAR BODY	ITEM ⑥ RESISTOR
131-3801-811	BRASS GOLD PL .00001 MIN OVER NICKEL PL .00005 MIN OVER COPPER PL .00005 MIN	BERYLLIUM COPPER GOLD PL .00003 MIN OVER NICKEL PL .00005 MIN OVER COPPER PL .00005 MIN	BERYLLIUM COPPER GOLD PL .00003 MIN OVER NICKEL PL .00005 MIN OVER COPPER PL .00005 MIN	TEFLON	BRASS GOLD PL .00001 MIN OVER NICKEL PL .00005 MIN OVER COPPER PL .00005 MIN	50 OHM ± 1%
131-3801-816	BRASS NICKEL PL .0001 MIN OVER COPPER PL .00005 MIN	BERYLLIUM COPPER GOLD PL .00003 MIN OVER NICKEL PL .00005 MIN OVER COPPER PL .00005 MIN	BERYLLIUM COPPER NICKEL PL .0001 MIN OVER COPPER PL .00005 MIN	TEFLON	BRASS NICKEL PL .0001 MIN OVER COPPER PL .00005 MIN	50 OHM ± 1%

DRAWING NO. C - 131-3801-811/820			
0 REVISIONS			
ENGINEERING RELEASE			
1	11-8-95	R H B B	11-28-95 ECN 43747
50±.5% OHMS WAS 50±.1%			
1a	1-22-96	R H B B	1-29-96 ECN 43888
CHANGED: UPDATED GRAPHICS			
***** * REVISION NUMBER FOLLOWED BY AN ALPHA * * CHARACTER INDICATES DRAWING CLASSIF. * * CATION OR PART NUMBER ADDITION ONLY. * *****			
1b	5-6-96	R H B B	ECN 44020



NOTES:

1. SPECIFICATIONS:

RESISTANCE: 50±.5% OHMS
 FREQUENCY RANGE: 0-4 GHZ
 VSWR: NOT APPLICABLE
 MAXIMUM POWER: 0.5 WATT TO 25° C. DERATED TO 0.25 WATT AT + 125° C
 CONTACT RESISTANCE:
 CENTER CONTACT - INITIAL 6 MILLIOHM MAX, AFTER ENVIRONMENTAL 8 MILLIOHM MAX
 OUTER CONDUCTOR - GOLD PLATED INITIAL 1 MILLIOHM MAX, AFTER ENVIRONMENTAL 1.5 MILLIOHM MAX, NICKEL PLATED INITIAL 2.5 MILLIOHM MAX, AFTER ENVIRONMENTAL 3.5 MILLIOHM MAX

MECHANICAL:

ENGAGE/DISENGAGE FORCE: INITIAL 14 LBS MAX, AFTER DURABILITY 14 LBS MAX
 ENGAGEMENT/ 2 LBS MIN DISENGAGEMENT
 CONTACT RETENTION: 4 LBS MIN AXIAL FORCE
 DURABILITY: 500 CYCLES MIN

ENVIRONMENTAL:

OPERATING TEMPERATURE: -65° C TO 125° C

CUSTOMER DRAWING

THIS DRAWING TO BE INTERPRETED PER ANSI Y 14.5M - 1982

"µSTATION"

COMPANY CONFIDENTIAL

TOLERANCE UNLESS OTHERWISE SPECIFIED	DRAWN BY TAK	DATE 9-15-95	EMERSON Network Power 299 Johnson Ave. P.O. Box 1732 Waseca, MN 56093-0832	
DECIMALS .XX	CHECKED BY	DATE	TITLE PLUG RESISTOR, 50 OHMS SMB	
WATL	APPROVED BY TAK	DATE 11-17-95	CODE NO.	DRAWING NO. C - 131-3801-811/820
FINISH	APPROVED BY RJB	DATE 11-20-95	SCALE 10:1	U/W INCH SHEET 2 OF 2
	RELEASE DATE	11-28-95		

Mouser Electronics

Authorized Distributor

Click to View Pricing, Inventory, Delivery & Lifecycle Information:

[Cinch Connectivity Solutions:](#)

[131-3801-811](#)