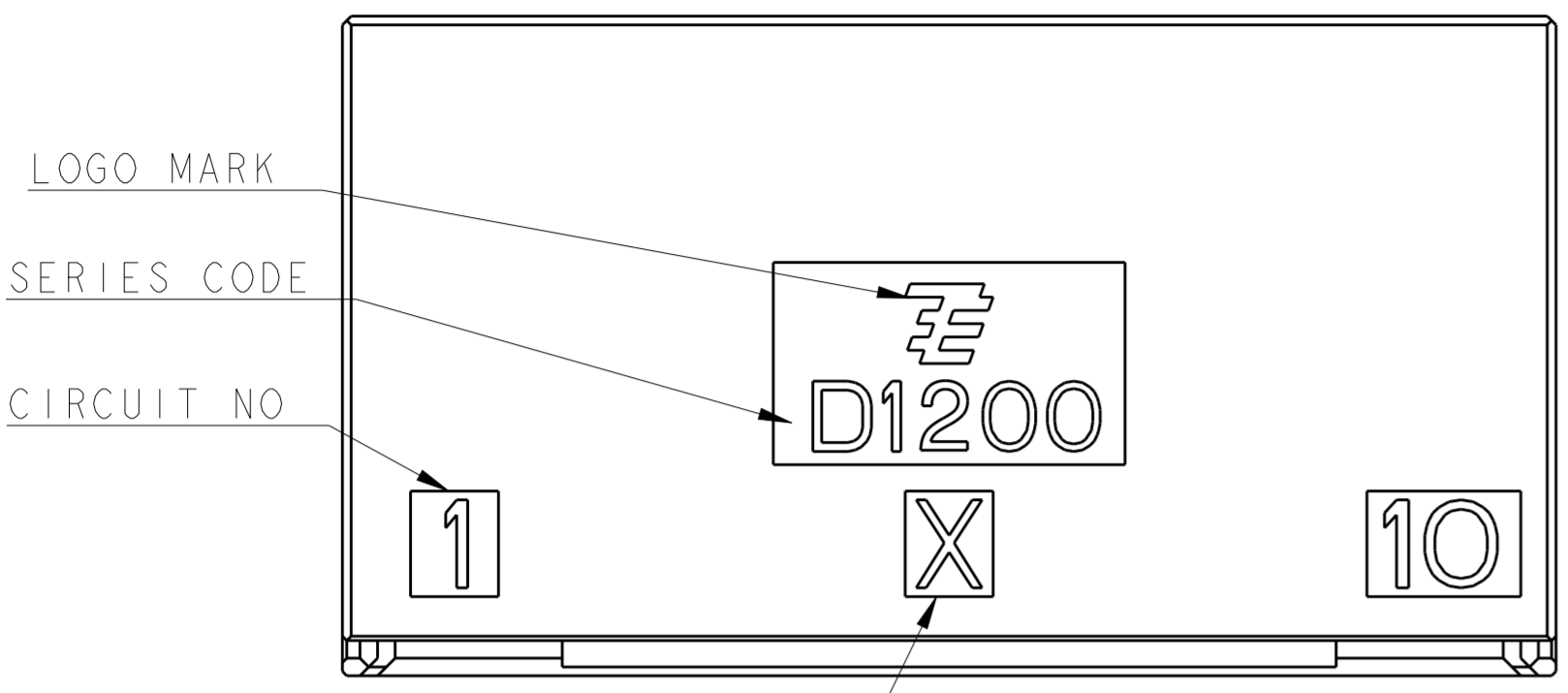


THIS DRAWING IS UNPUBLISHED. RELEASED FOR PUBLICATION 20  
 © COPYRIGHT 20 ALL RIGHTS RESERVED.

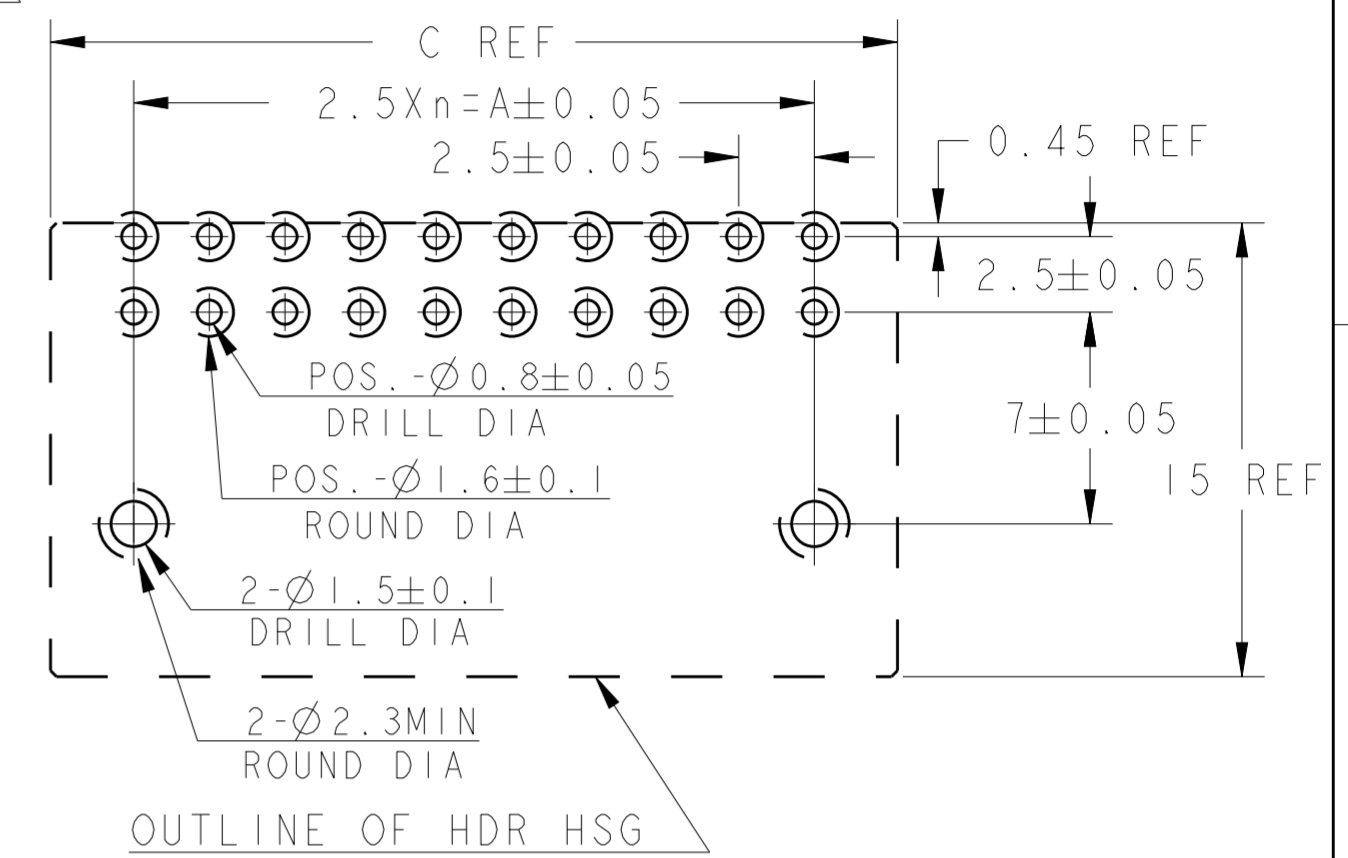
1. MATERIAL: HOUSING: GLASS FILLED THERMO PLASTIC POLYESTER(94V-0), COLOR: BLACK  
 CONTACT: COPPER ALLOY  
 RETENTION LEG: PRE-TIN COPPER ALLOY

REVISONS			DATE	DWN	APVD
P	LTR	DESCRIPTION			
C2		REVISED PER ECR-17-009217	24JUL2017	K.T	E.T



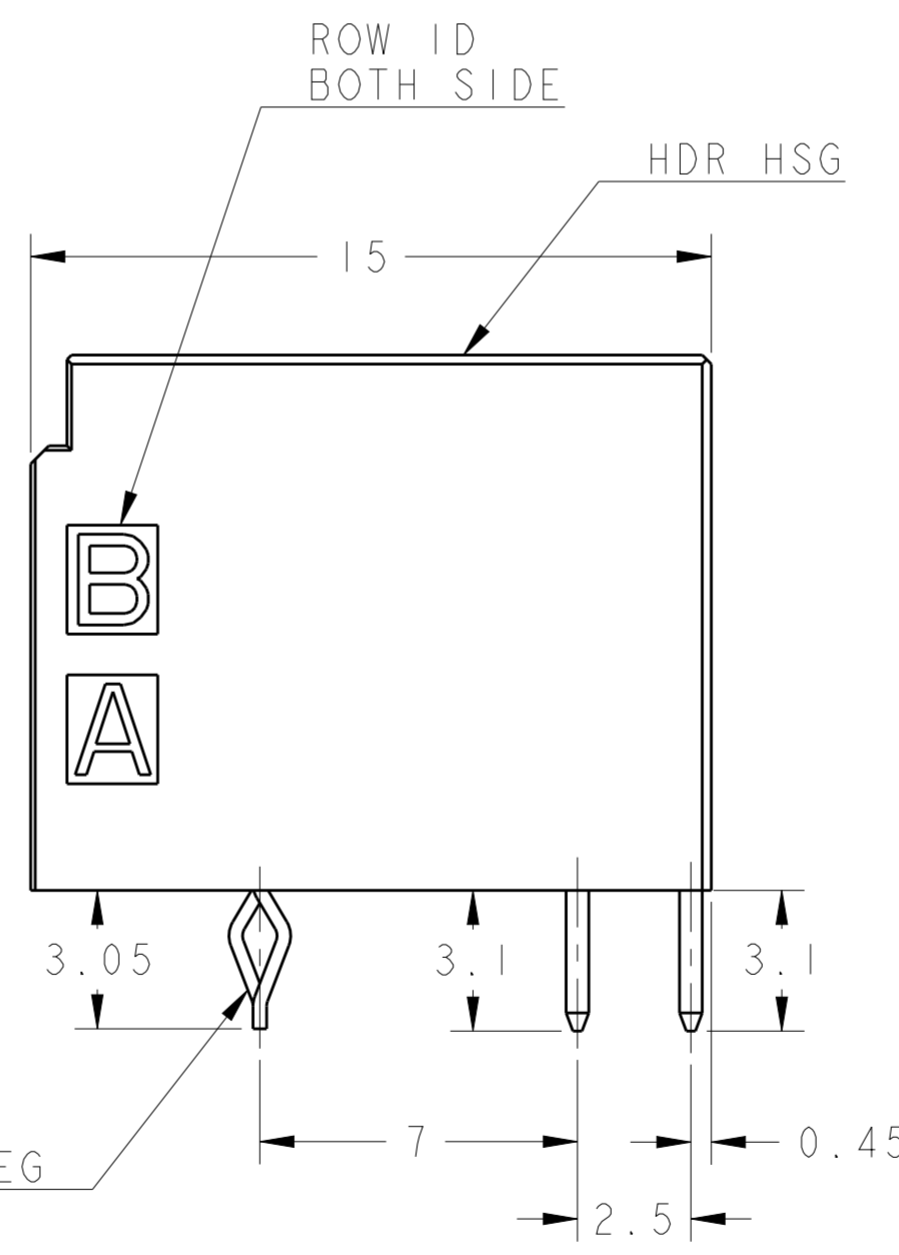
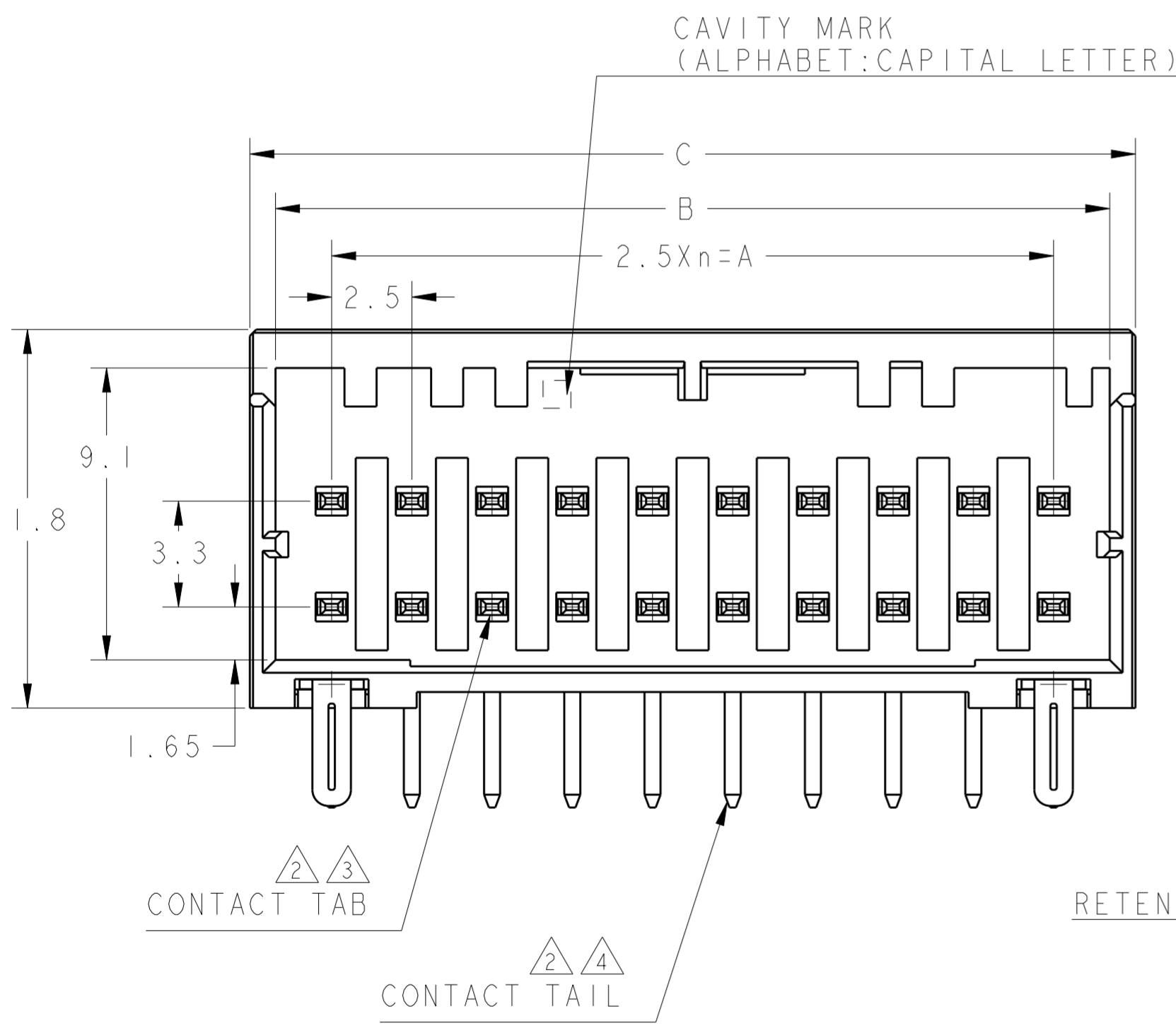
- 2. FINISH(ALL OVER): NICKEL PL. 1.27μmMIN
- 3. FINISH(CONTACT AREA): GOLD PL. 0.38μmMIN AFTER 2
- 4. FINISH(CONTACT TAIL): TIN PL. 2μmMIN AFTER 2
- 5. THE SHAPE, SIZE AND POSITION OF THE CHARACTER SHOW THE OUTLINE. THEY DON'T SHOW DETAILS.
- 6. THE KEYING ARRANGEMENT OF "Y" IS SYMMETRIC WITH "X".

- 1. 材料: ハウジング: ガラス入り熱可塑性ポリエステル樹脂(94V-0)、色: 黒  
 コンタクト: 銅合金  
 リテンションレグ: 錫めっき済銅合金
- 2. めっき: 全面: ニッケル下地めっき1.27μm以上
- 3. めっき: 接触部 2の上に金めっき0.38μm以上
- 4. めっき: コンタクト半田付部: 2の上に錫めっき2μm以上
- 5. 文字の形状、大きさ、および位置については、大略を示すものであり、詳細を示すものではありません。
- 6. Y KEY形状は、X KEY形状と左右対称



推奨基板取付寸法 : コネクタ搭載面(非累積公差)  
 PC基板厚 : 1.0~1.6±0.1

RECOMMEND PC BOARD HOLE PATTERN : CONNECTOR MOUNT SIDE(NOT ACCUMULATE TOLERANCE)  
 PC BOARD THICKNESS : 1.0~1.6±0.1



AS SHOWN : 1-1827876-0 (20POS:X-KEY)  
 ONLY 4POS----SEE SHEET 2 OF 3

20	Y	9	22.5	26.0	27.6	2-1827876-0
20	X	9	22.5	26.0	27.6	1-1827876-0
12	Y	5	12.5	16.0	17.6	2-1827876-6
12	X	5	12.5	16.0	17.6	1-1827876-6
8	Y	3	7.5	11.0	12.6	2-1827876-4
8	X	3	7.5	11.0	12.6	1-1827876-4
6	Y	2	5.0	8.5	10.1	2-1827876-3
6	X	2	5.0	8.5	10.1	1-1827876-3
4	Y	1	2.5	6.0	7.6	2-1827876-2
4	X	1	2.5	6.0	7.6	1-1827876-2
POS	KEY	n	A	B	C	PART NO

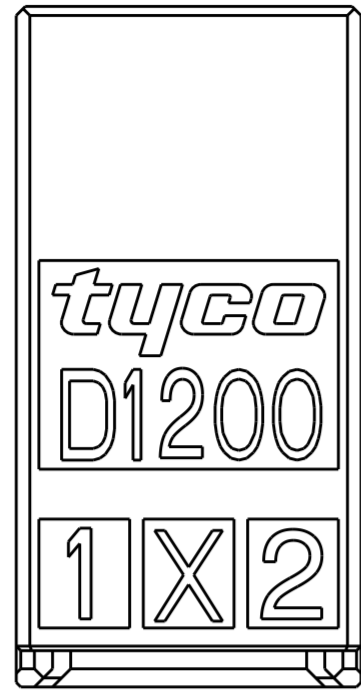
1-1827876-0  
 (20POS:X-KEY)

THIS DRAWING IS A CONTROLLED DOCUMENT.

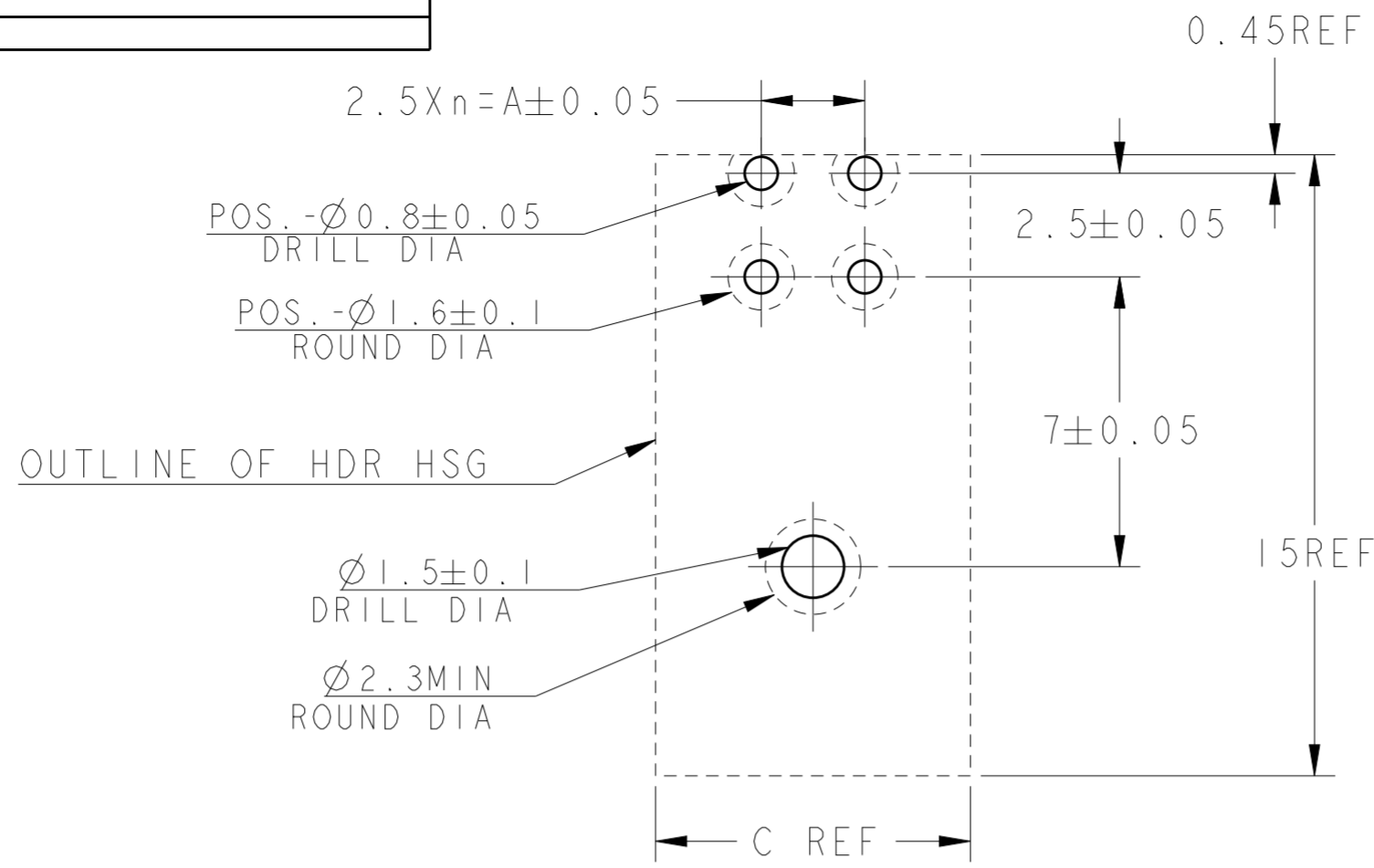
DWN T. KUDO	13JAN2005	 TE Connectivity	NAME DYNAMIC D1200D 2.5mmPITCH HDR ASSY (H-TYPE) 4-20POS
CHK D. MITSUGI	14MAR2005		
APVD D. MITSUGI	14MAR2005		
PRODUCT SPEC 08-78268			
DIMENSIONS: 単位: 桁 mm	TOLERANCES UNLESS OTHERWISE SPECIFIED: 一般公差 ±0.3, ±3° 0-PLC ±0.5 1-PLC ±0.5 2-PLC ±0.13 3-PLC ±0.013 4-PLC ±0.0001 ANGLES ± FINISH 仕上	SIZE A200779	DRAWING NO C-1827876
MATERIAL 材料		SCALE 尺度 6:1	RESTRICTED TO
CUSTOMER DRAWING		SHEET 1 OF 3	REV C2

THIS DRAWING IS UNPUBLISHED. RELEASED FOR PUBLICATION 20  
 © COPYRIGHT 20 ALL RIGHTS RESERVED.

LOC		DIST		REVISIONS			
P	LTR	DESCRIPTION	DATE	DWN	APVD		
J	-	SEE SHEET 1	-	-	-		



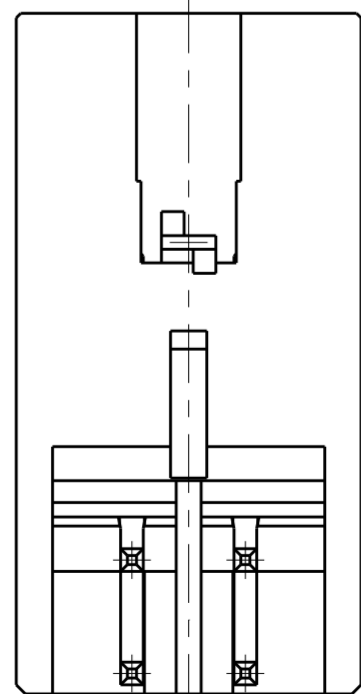
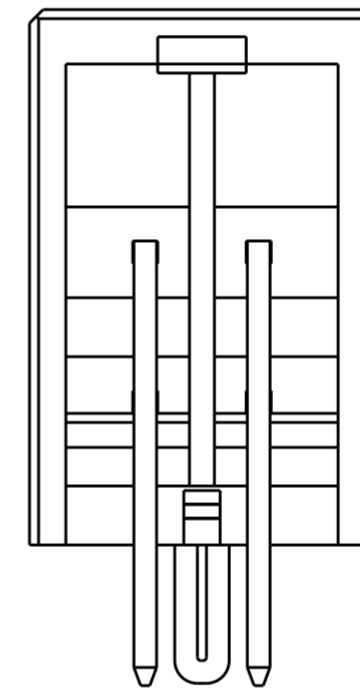
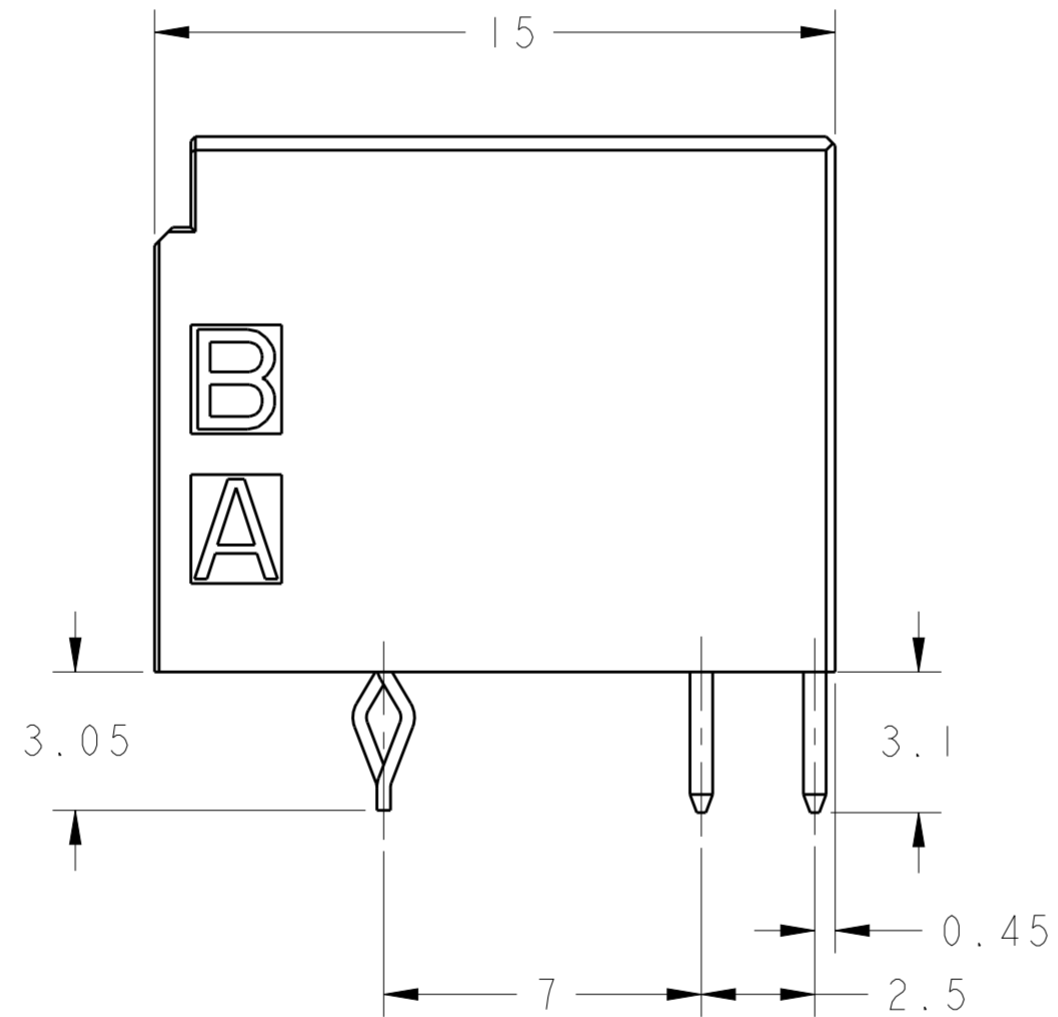
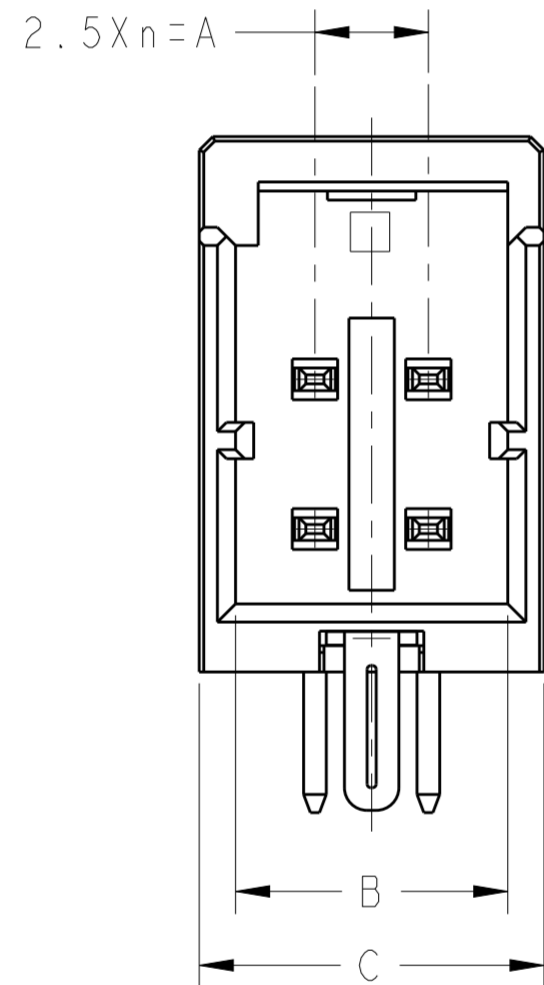
1-1827876-2  
(4POS: X-KEY)



推奨基板取付穴寸法 : コネクタ搭載面 (非累積公差)  
 PC基板厚 : 1.0~1.6±0.1

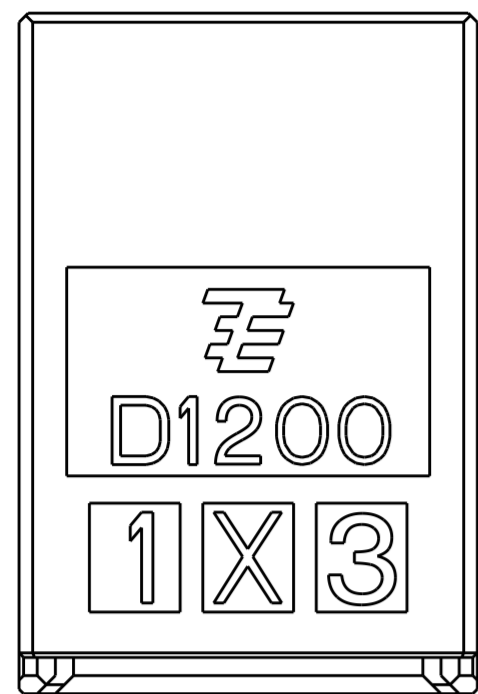
RECOMMEND PC BOARD HOLE PATTERN  
 : CONNECTOR MOUNT SIDE (NOT ACCUMULATE TOLERANCE)  
 PC BOARD THICKNESS : 1.0~1.6±0.1

ONLY 4POS

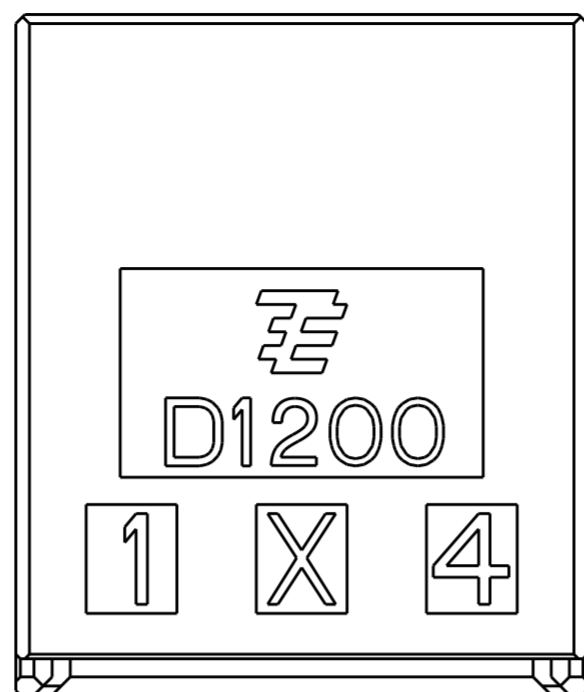


THIS DRAWING IS A CONTROLLED DOCUMENT		DWN	13 JAN 2005		TE Connectivity
DIMENSIONS: mm		CHK	14 MAR 2005		
TOLERANCES UNLESS OTHERWISE SPECIFIED:		APVD	14 MAR 2005		
0 PLC ±		NAME		DYNAMIC D1200D 2.5mmPITCH HDR ASSY (H-TYPE) 4-20POS	
2 PLC ±		SIZE			A200779 C-1827876
3 PLC ±		APPLICATION SPEC		RESTRICTED TO	
4 PLC ±		114-5377		SCALE	6:1
ANGLES ±		WEIGHT		SHEET	2 OF 3
FINISH		CUSTOMER DRAWING		REV	C2

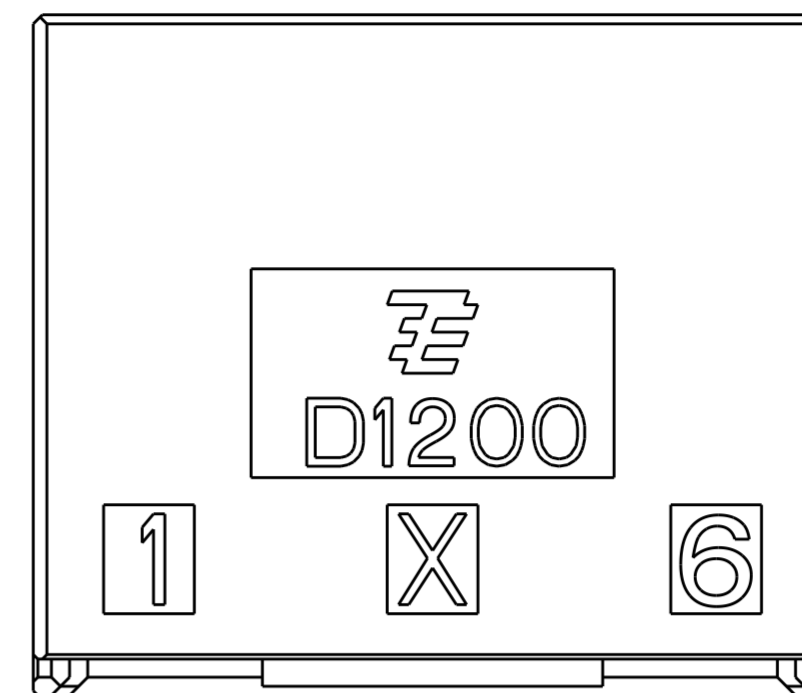
LOC		DIST		REVISIONS			
P	LTR	DATE	DWN	APVD	DESCRIPTION		
J	-	-	-	-	SEE SHEET 1		



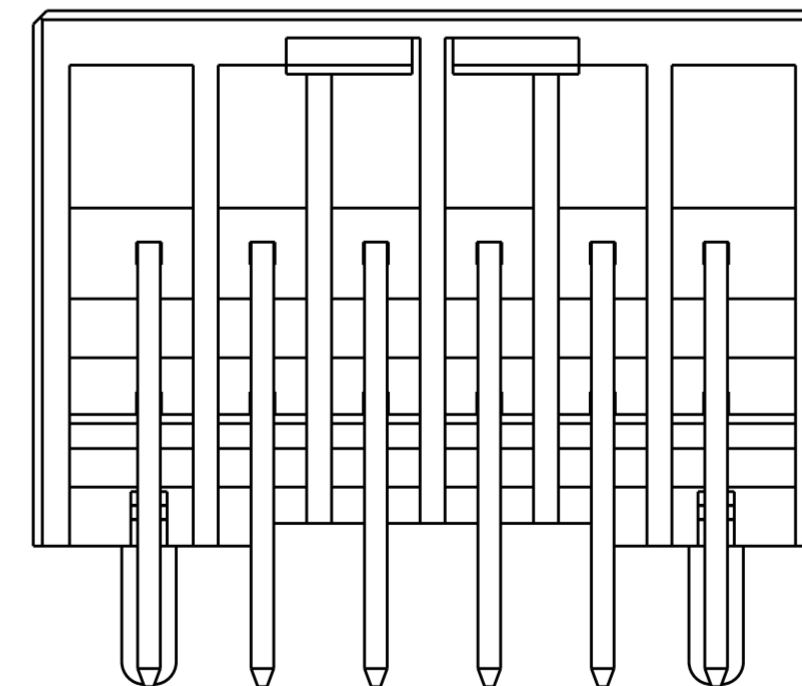
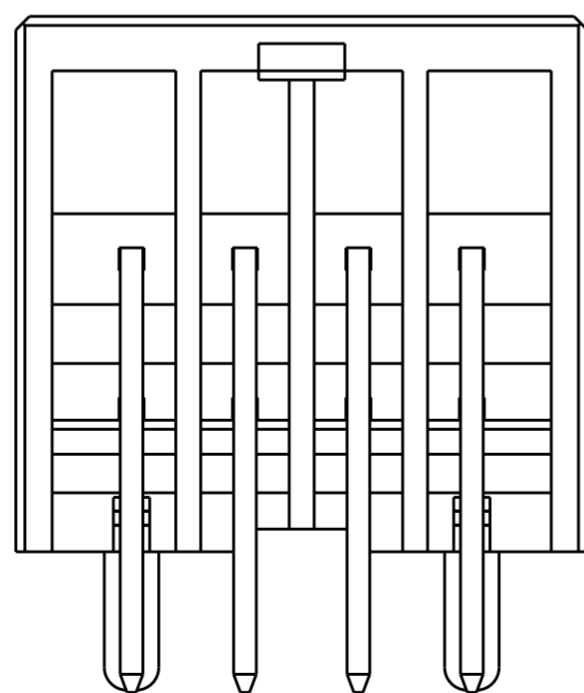
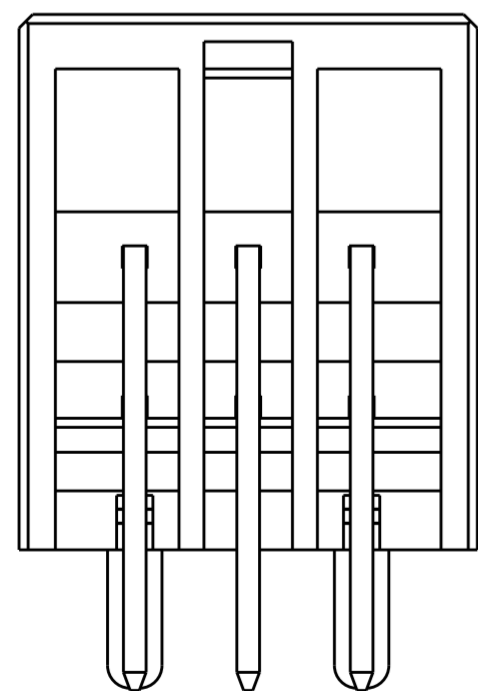
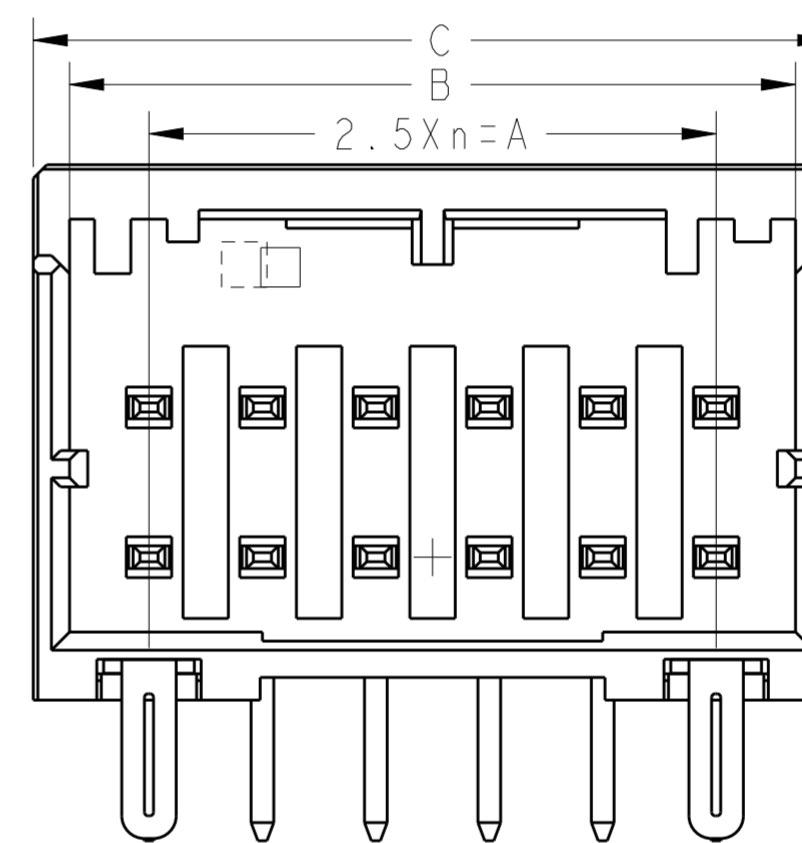
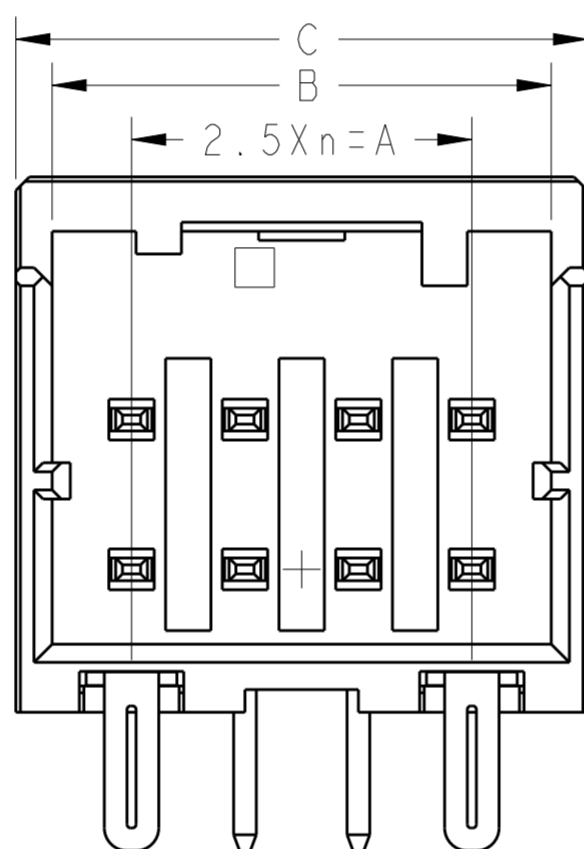
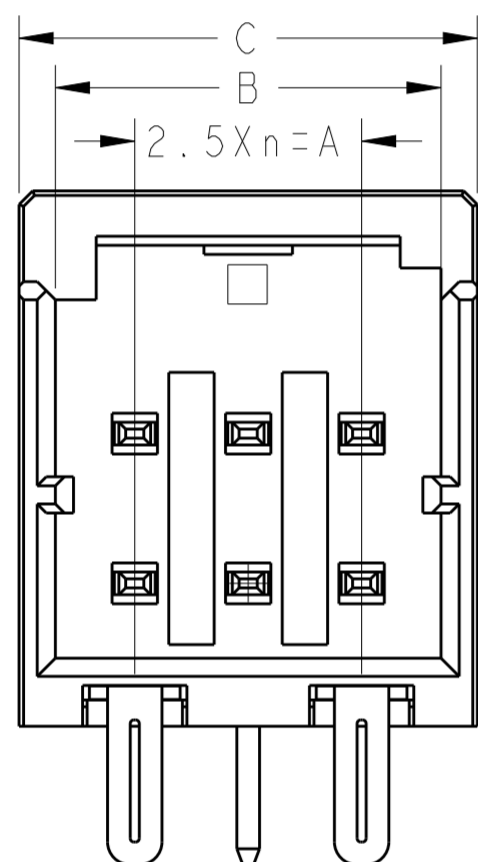
1-1827876-3  
(6POS:X-KEY)



1-1827876-4  
(8POS:X-KEY)



1-1827876-6  
(12POS:X-KEY)



THIS DRAWING IS A CONTROLLED DOCUMENT		DWN T. KUDO	16MAR2005	TE Connectivity NAME DYNAMIC D1200D 2.5mmPITCH HDR ASSY (H-TYPE) 4-20POS	RESTRICTED TO
DIMENSIONS:		CHK D. MITSUGI	14MAR2005		
mm		APVD D. MITSUGI	14MAR2005		
TOLERANCES UNLESS OTHERWISE SPECIFIED:		PRODUCT SPEC			
1.0 PLC	±	108-78268	APPLICATION SPEC	SIZE	
2.0 PLC	±	114-5377	WEIGHT	CAGE CODE	
3.0 PLC	±			DRAWING NO	
4.0 PLC	±			A200779	C-1827876
ANGLES	±			SCALE	6:1
FINISH				SHEET	3 OF 3
MATERIAL				REV	C2
				CUSTOMER DRAWING	

# Mouser Electronics

Authorized Distributor

Click to View Pricing, Inventory, Delivery & Lifecycle Information:

[TE Connectivity:](#)

[1-1827876-4](#)