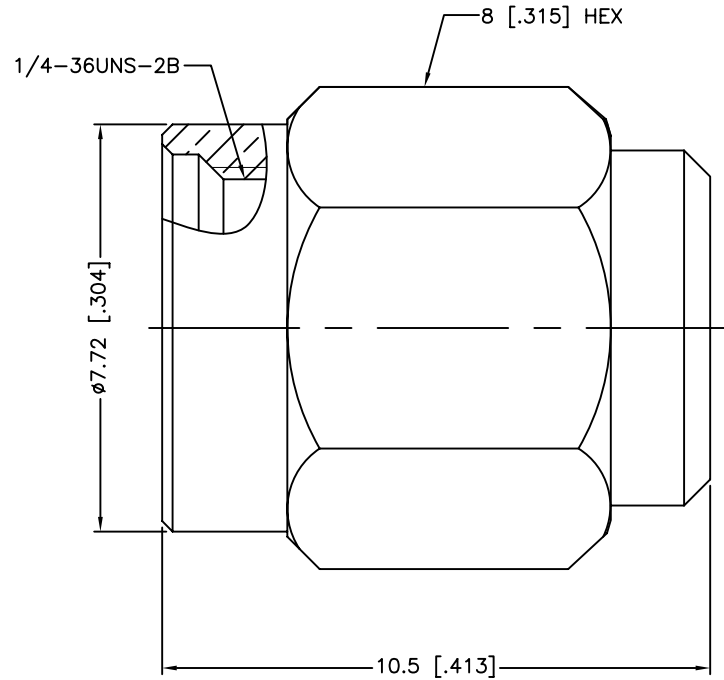


REV.	DATE	ECR NO.	DESCRIPTION
NC	10/24/10	XXXXXX	INITIAL RELEASE
A	10/06/11	2236	UPDATE THE RESISTOR'S DESCRIPTION



1. IMPEDANCE:50 OHM
2. FREQUENCY RANGE: 0-18 GHz.
3. DURABILITY:500 CYCLES MIN.

<small>UNLESS OTHERWISE SPECIFIED DIMENSIONS ARE IN MILLIMETERS. DIMENSIONS IN [ ] ARE IN INCHES AND FOR CUSTOMER REFERENCE ONLY.</small> <small>UNLESS OTHERWISE SPECIFIED TOLERANCES FOR MILLIMETERS ARE:  0.5 - 8mm ± 0.20mm  8 - 30mm ± 0.40mm  30 - 120mm ± 0.50mm</small> <small>UNLESS OTHERWISE SPECIFIED TOLERANCES FOR INCHES ARE:  .020 - .315 = ± 0.007"  .315 - 1.180 = ± 0.015"  1.180 - 4.724 = ± 0.020"</small>				APPROVALS		DATE		<h1 style="color: blue;">Amphenol Connex</h1>			
				DRAWN M.ZHANG		10/06/11					
6 RESISTOR 100 OHM, 0.1 WATT, 1% 2				CHECKED				<b>REVERSE POLARITY SMA TERMINATOR PLUG (FOR 50 OHMS)</b>			
5 CONTACT PIN BERYLLIUM COPPER GOLD 1				ISSUED							
4 INSULATOR PTFE NATURAL 1				SHEET 1 OF 1				<b>132360RP</b>			
3 GASKET SILICON RUBBER RED 1				CAD FILE		C:/CONNEX/132360RP.DWG					
2 BODY BRASS GOLD 1				DWG. NO.		132360RP.DWG		REV. A	SIZE A	SCALE NA	
1 SHELL BRASS GOLD 1				DO NOT SCALE DRAWING							
DESCRIPTION		MATERIAL		FINISH		QTY					

# Mouser Electronics

Authorized Distributor

Click to View Pricing, Inventory, Delivery & Lifecycle Information:

[Amphenol:](#)

[132360RP](#)